

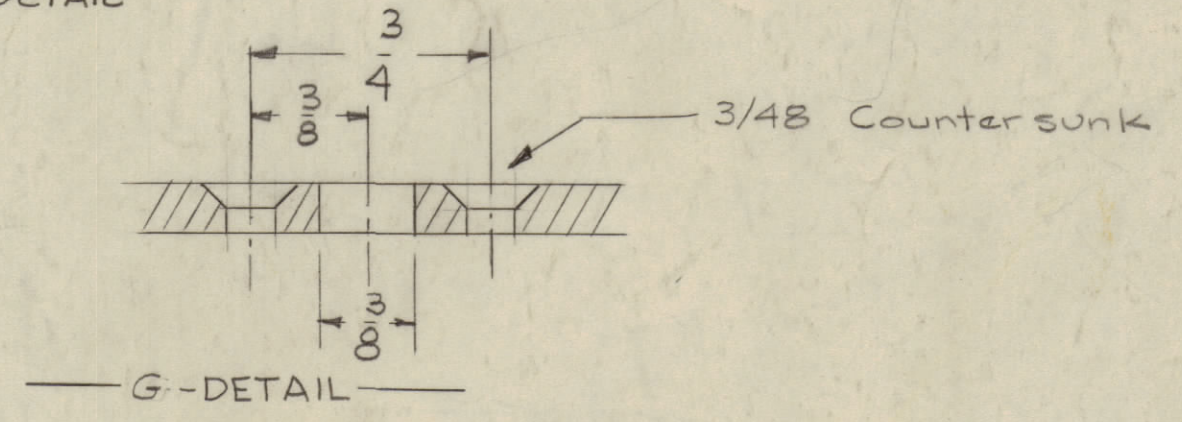
IF IT IS FOUND DESIRABLE TO CHANGE ANY TOLERANCE OR OTHER DETAIL SPECIFIED ON THIS DRAWING NOTIFY THE PURCHASER PROMPTLY.  
 MAXIMUM ALLOWABLE TOLERANCES HAVE BEEN DETERMINED AND DEVIATIONS WILL BE CAUSE FOR REJECTION. REMOVE ALL BURRS AND SHARP EDGES

**NOTICE TO PERSONS RECEIVING THIS DRAWING**

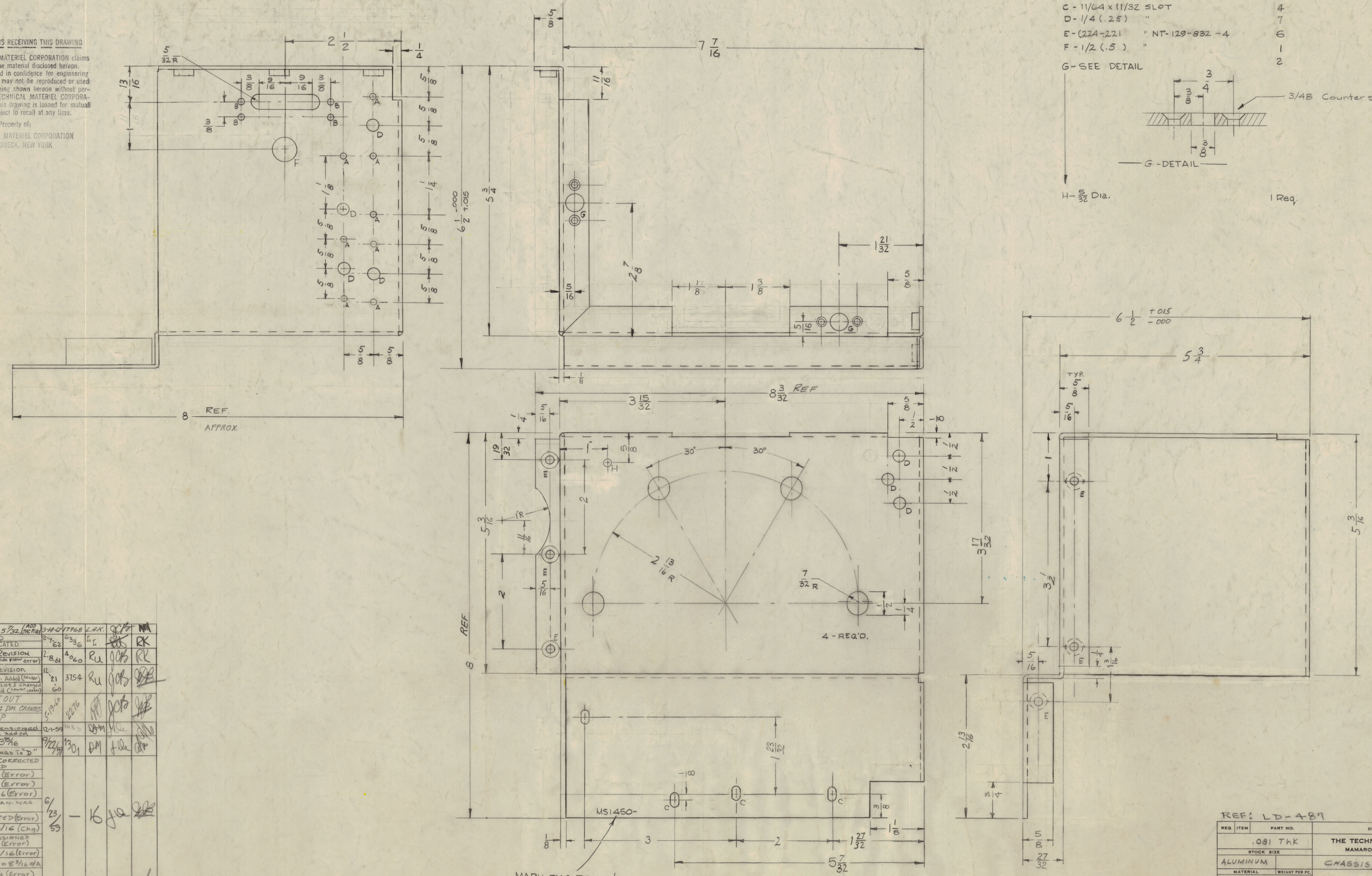
THE TECHNICAL MATERIEL CORPORATION claims proprietary right in the material disclosed herein. This drawing is issued in confidence for engineering information only and may not be reproduced or used to manufacture anything shown hereon without permission from THE TECHNICAL MATERIEL CORPORATION to the user. This drawing is loaned for mutual assistance and is subject to recall at any time.

Property of:  
 THE TECHNICAL MATERIEL CORPORATION  
 MAMARONECK, NEW YORK

HOLES	REQ'D
A - 1/8 (.125) DIA.	8
B - 9/64 (.140) "	4
C - 11/64 x 11/32 SLOT	4
D - 1/4 (.25) "	7
E - (22A-22I) " NT-129-832-4	6
F - 1/2 (.5) "	1
G - SEE DETAIL	2



H - 3/32 Dia. 1 Req.



ISSUE	ITEM	CHANGED FROM	DATE	CH. NO.	DRAFTS	CHECKER	ENG. APP.
K	1	DIM FR 5/32 TO 5/16 (16710)	3-14-61	17968	L.A.K.	JK	MM
U	1	HOLE ADDED	2-7-62	6336	L.E.	JK	RK
H	2	DIMENSIONAL REVISION	2-8-61	4060	RU	JK	RR
G	3	DIMENSIONAL REVISION	12-21-61	3754	RU	JK	RR
F	2	ADDED 1" R CUT OUT	5-10-60	2276	JK	JK	JK
E	2	MADE SUPPORTING DIM. CHANGES	5-10-60	2276	JK	JK	JK
D	2	DELETED LIP	5-10-60	2276	JK	JK	JK
C	1	HOLE REDIMENSIONED	12-21-61	10355	JK	JK	JK
B	1	SEVERAL HOLES ADDED	9-22-59	1301	DM	JK	JK
A	1	ONE "A" HOLE CHG TO "D"	9-22-59	1301	DM	JK	JK
	11	PICTORIAL CORRECTED & CLAMPED					
	10	1/2 ADDED (ERROR)					
	9	1 1/8 ADDED (ERROR)					
	8	1 3/16 WAS 3/16 (ERROR)					
	7	"E" HOLE QUAN. WAS 5 (ERROR)	6/23/59				
	6	VIEW DELETED (ERROR)	6/23/59				
	5	1 1/16 WAS 3/16 (CHG)					
	4	LAYOUT DIMENSIONED & LOCATED (ERROR)					
	3	1 9/32 WAS 9/16 (ERROR)					
	2	"REF" ADDED TO 8 3/16 DIA					
	1	8 3/16 WAS 8 1/4 (ERROR)					
B	1	"C" HOLE DELETED	9/6/59	1082	JCB	JK	JK

MARK TMC PT. NO 1/8" HIGH GOTHIC W/LATEST REV. LETTER.

REF: LD-487

REQ. ITEM	PART NO.	DESCRIPTION	SYMBOL
	.081 THK	THE TECHNICAL MATERIEL CORP. MAMARONECK, NEW YORK	
	ALUMINUM	CHASSIS, BLOWER MOUNT	
	5052-H 32		
	TYPE & TEMPER		
	HEAT TREAT. SPEC.		
	IRIDITE		
	FINISH & SPEC. NO.		

REQ. PER UNIT	MODEL	PROJECT NO.	ASSY. NO.	DATE
1	RFC-1	FAL-1K		12-20-60
1	RFD-1	FAL-1K		6-23-59
1	RFB-1	GPT-10K		

MS 1450 K