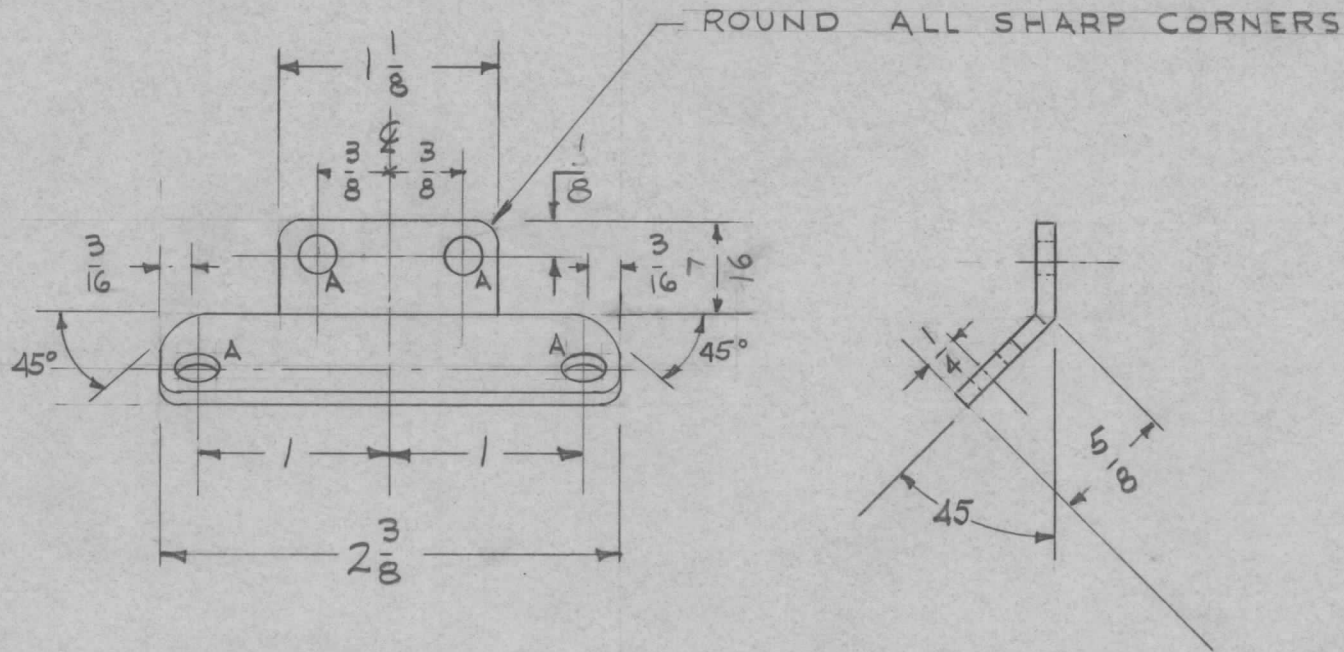


A - 3/16 (.187) DIA. 2 REQ'D.

| | | | | | |
|----------------|-----------------|------------|------|---------|---|
| REQ. PER. UNIT | USED ON | | | MS-1428 | D |
| | MODEL | ASS'Y. NO. | DATE | | |
| 2 | AC-100 RFB-1 | A-1618 | | | |



| ISSUE | ITEM | CHANGED FROM | DATE | CH. NO. | DRAFTS | CHECKER | ENG. APP. | REQ. ITEM | PART NO. | DESCRIPTION | SYMBOL | | |
|--|------|---------------------------------|---------|---------|--------|---------|-----------|--------------------|----------|--|--------|----------------|--|
| | | | | | | | | | | THE TECHNICAL MATERIEL CORP. MAMARONECK, NEW YORK | | | |
| C | 2 | 7/16 WAS 1/2 1/8 WAS 3/16 | 4/17/59 | | | | | .081 | | BRACKET, L.F. IPA TANK COIL | | | |
| B | 1 | COMPLETELY REVISED & REDRAWN | 4/2/59 | | | | | ALUMINUM | | | | | |
| TOLERANCES | | | | | | | | SCALE: | | | | | |
| DEC. DIM. ± | | | | | | | | 5052-H32 | | | | | |
| FRAC. DIM. ± | | | | | | | | TYPE & TEMPER | | | | | |
| ANGULAR DIM. ± | | | | | | | | HEAT TREAT. SPEC. | | | | | |
| 1/64 | | | | | | | | 5404 YEL-IRIDITE | | | | | |
| MAXIMUM ALLOWABLE TOLERANCES HAVE BEEN DETERMINED AND ANY DEVIATIONS WILL BE CAUSE FOR REJECTION. REMOVE ALL BURRS AND SHARP EDGES | | | | | | | | FINISH & SPEC. NO. | | | | | |
| | | | | | | | | DRAWN | | CHECKED | | FINAL APPROVAL | |
| | | | | | | | | 16RILLO | | fide | | MS-1428 | |
| | | | | | | | | ELEC. DES. APP | | MECH. DES. APP | | D | |