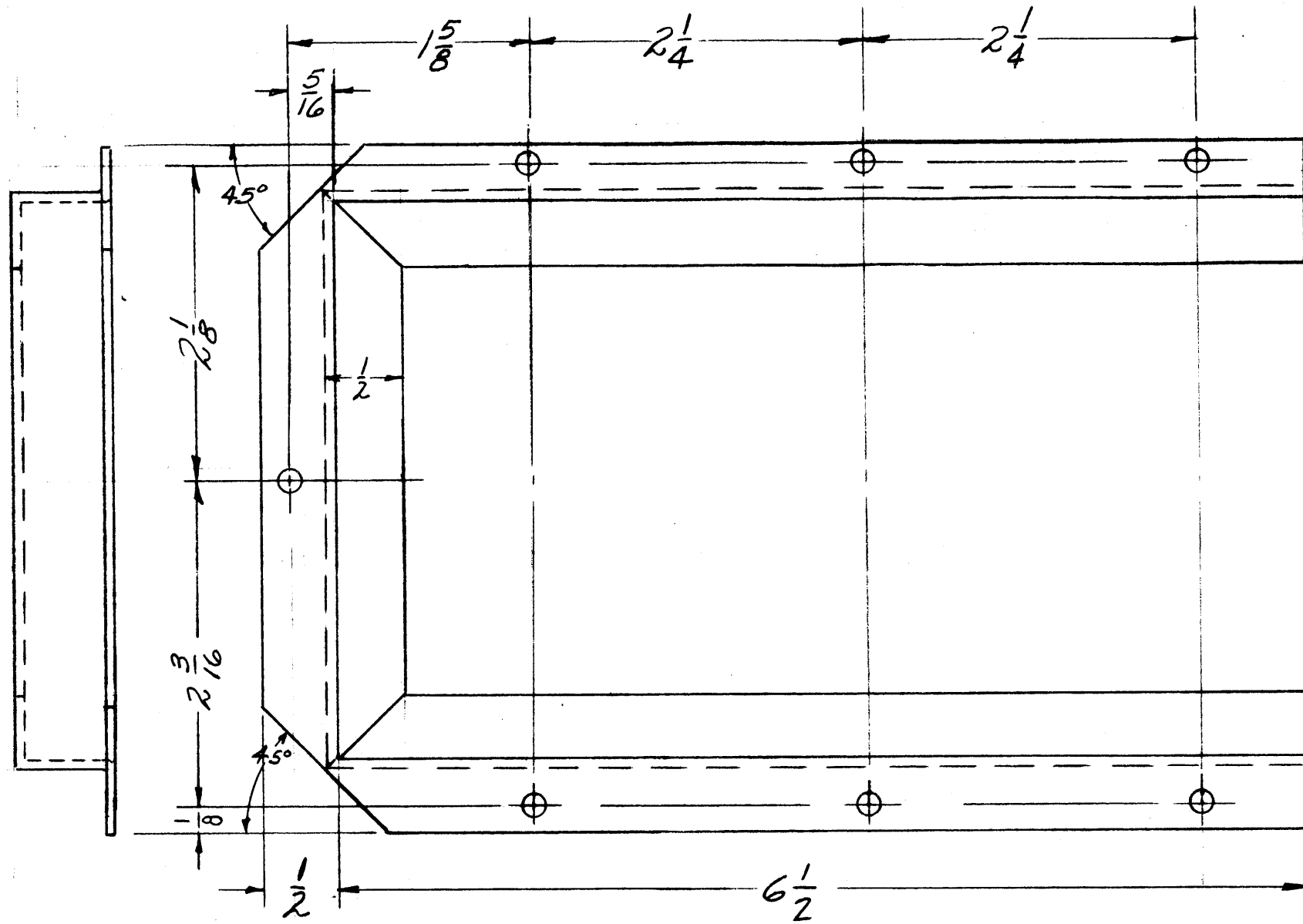


MS-1395 C



11/64 (.171) DIA. ALL HOLES

NOTICE TO PERSONS RECEIVING THIS DRAWING

THE TECHNICAL MATERIEL CORPORATION claims proprietary right in the material disclosed hereon. This drawing is issued in confidence for engineering information only and may not be reproduced or used to manufacture anything shown hereon without permission from THE TECHNICAL MATERIEL CORPORATION to the user. This drawing is loaned for mutual assistance and is subject to recall at any time.

Property of:
THE TECHNICAL MATERIEL CORPORATION
MAMARONECK, NEW YORK

ISSUE ITEM	CHAN ED FROM	DATE	CH. NO.	DRAFTS	CHECKER	ENG. APP.
C	1/8 DIM. ADDED, & DEL.	4-21-67	18135	MA	MA	FB
B	1	5-404 WAS S-101	12/15/59	1001	AB	EAN
A	1	6 1/2 dim. was 6 3/4	2/3/59	749	J.C.B.	HO

TOLERANCES: SCALE: FULL SIZE

DEC. DIM. ±
FRAC. DIM. ± 1/64
ANGULAR DIM. ±

MAXIMUM ALLOWABLE TOLERANCES HAVE BEEN DETERMINED AND ANY DEVIATIONS WILL BE CAUSE FOR REJECTION. REMOVE ALL BURRS AND SHARP EDGES

1	RTF-2	POW/AMP	10-31-58
RE PER UNIT	MODEL	PROJECT NO.	ASS'Y. NO.
USED ON			

REQ. ITEM	PART NO.	DESCRIPTION	SYMBOL
	.064 THICK	THE TECHNICAL MATERIEL CORP.	
	STOCK SIZE	MAMARONECK, NEW YORK	
	ALUMINUM	FILTER HOLDER	
	MATERIAL	POW/AMP	
5052-H32	10-31-58	10-31-58	
TYPE & TEMPER	HEAT TREAT. SPEC.	DRAWN	CHECKED
5-404 YELLOW IRIDITE		DRF	
FINISH & SPEC. NO.	ELEC. DES. APP.	MECH. DES. APP.	
			MS-1395 C