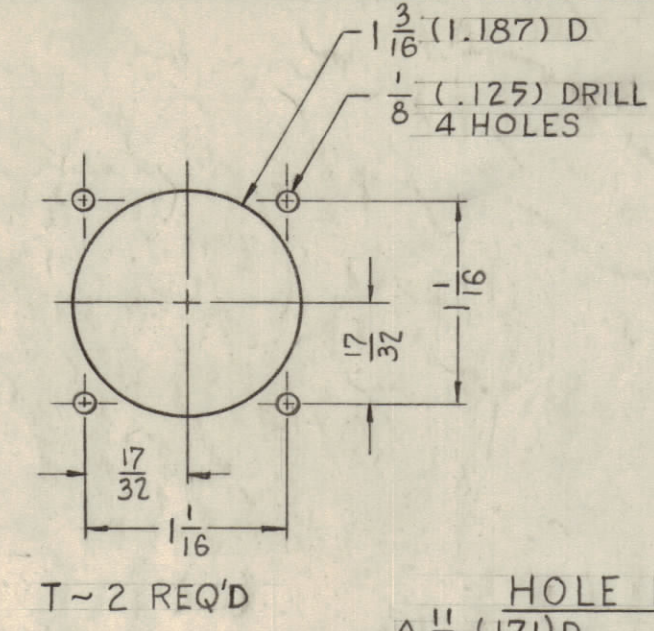
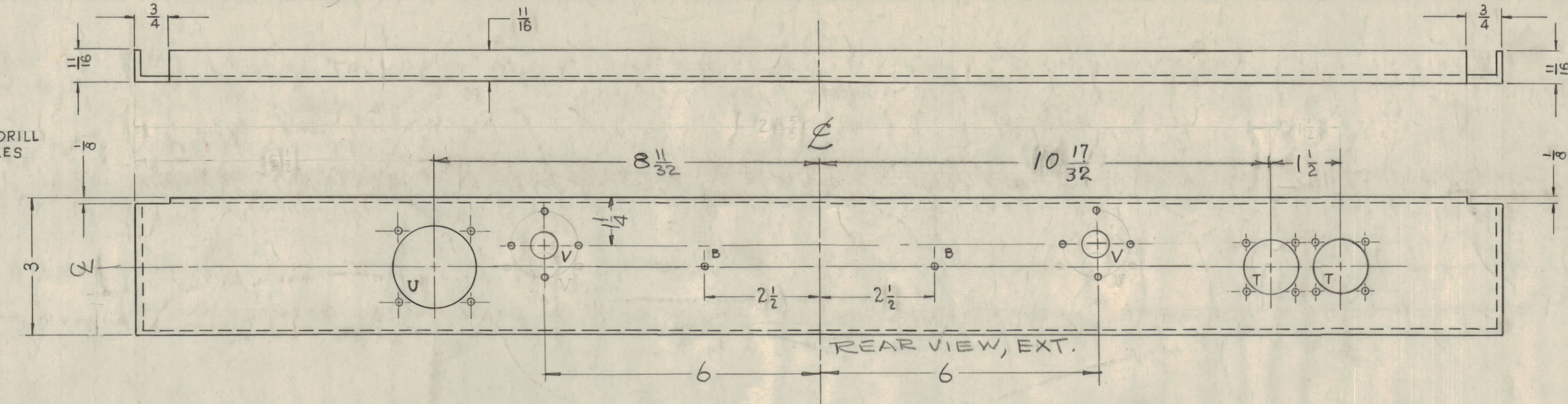
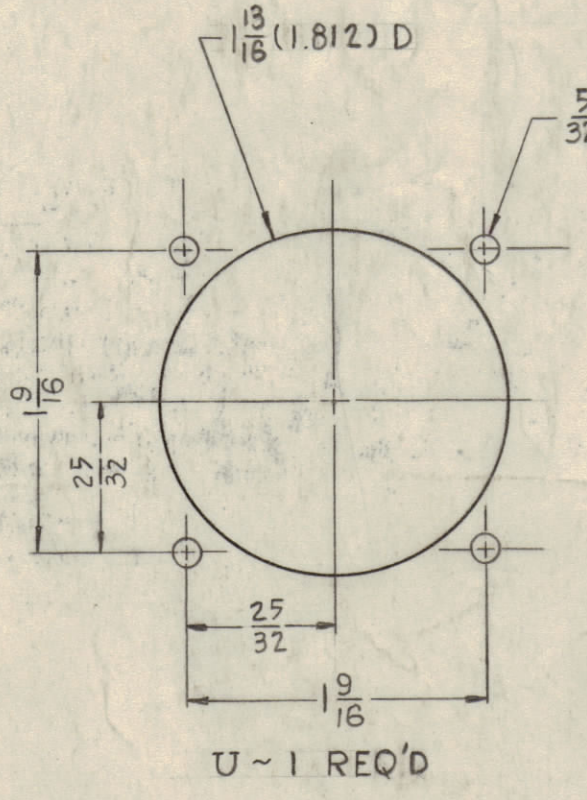




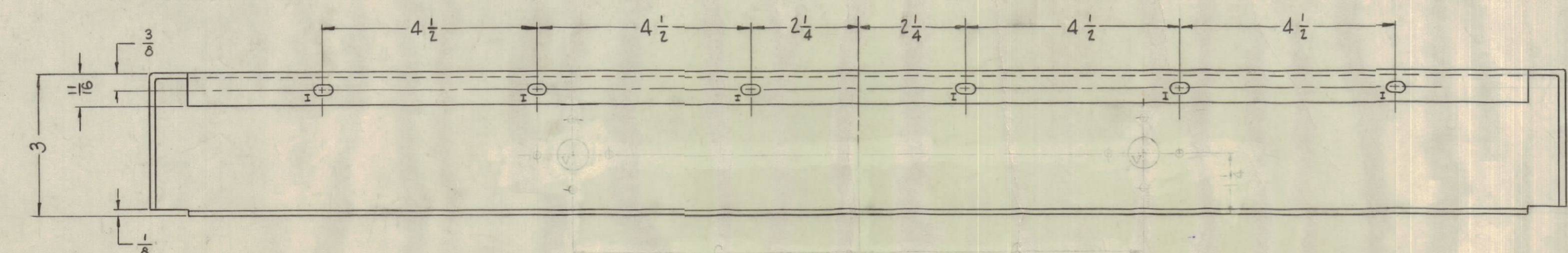
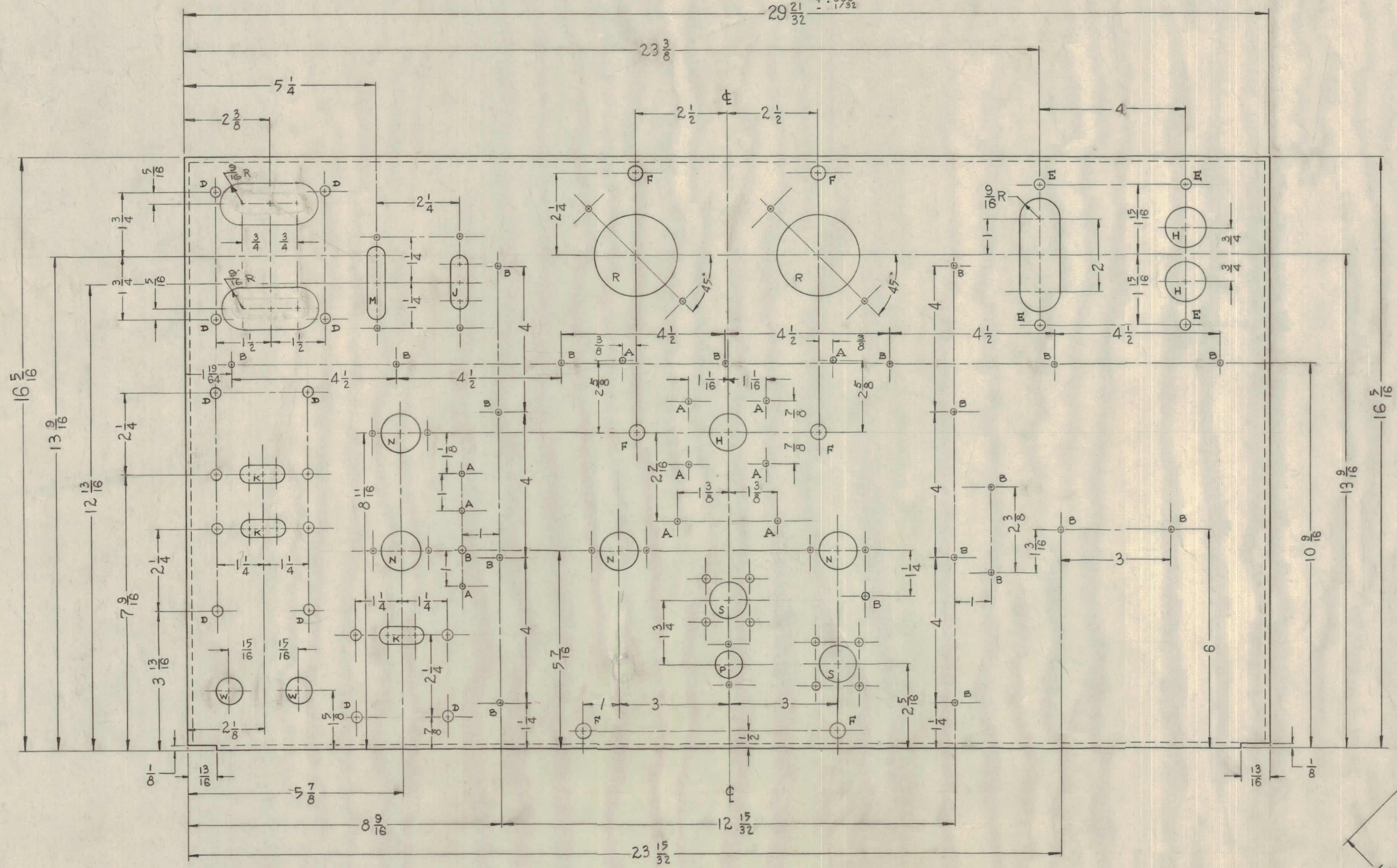
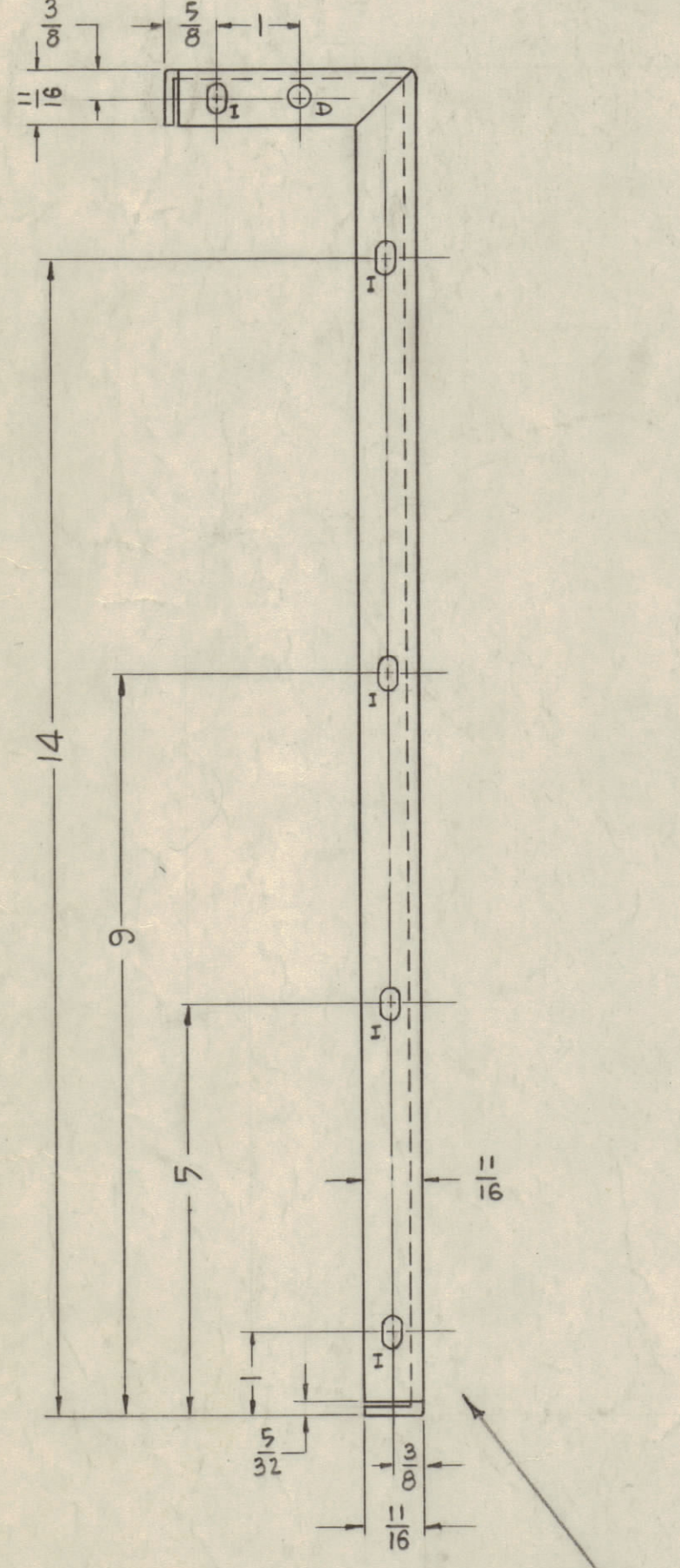
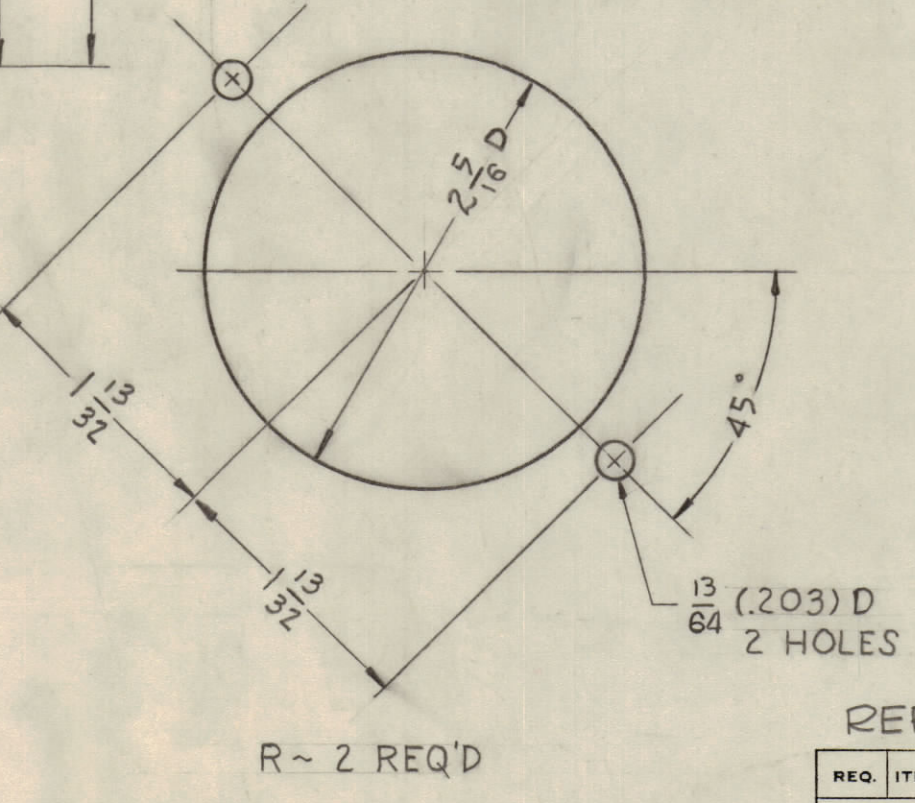
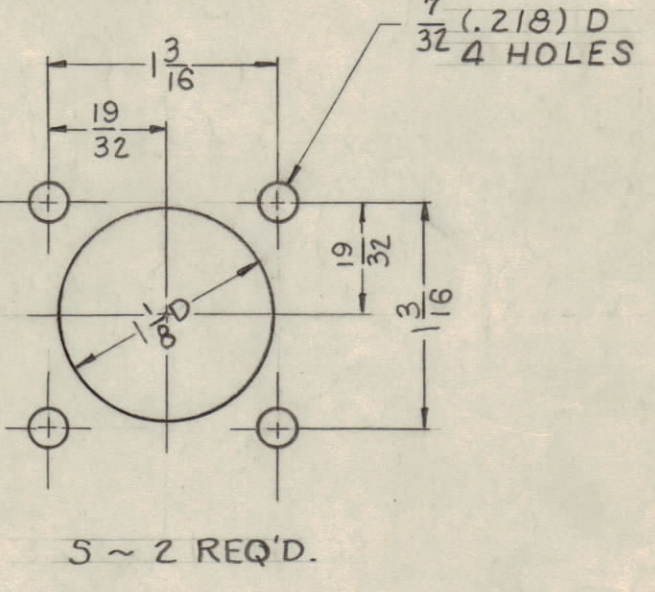
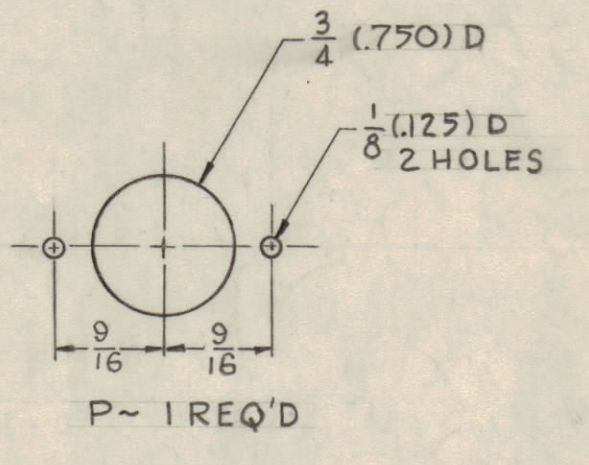
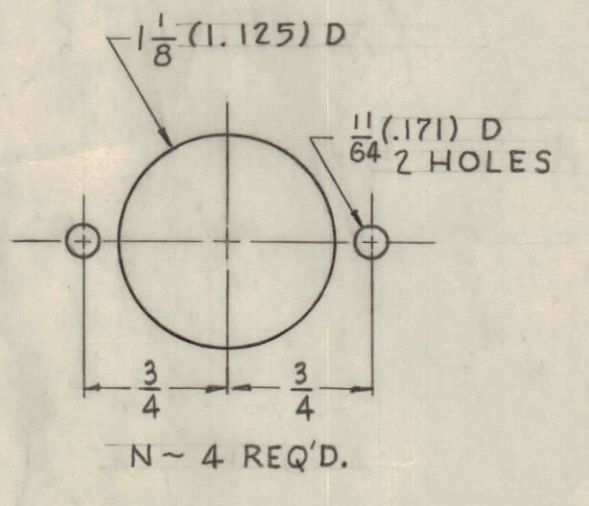
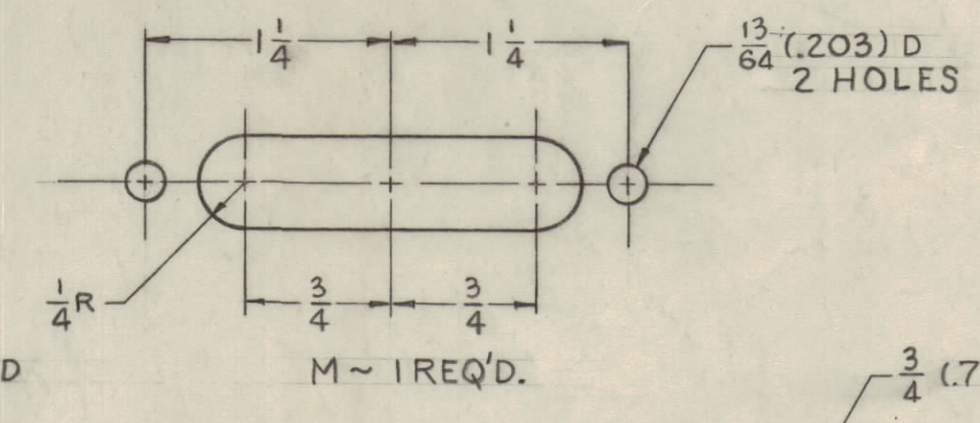
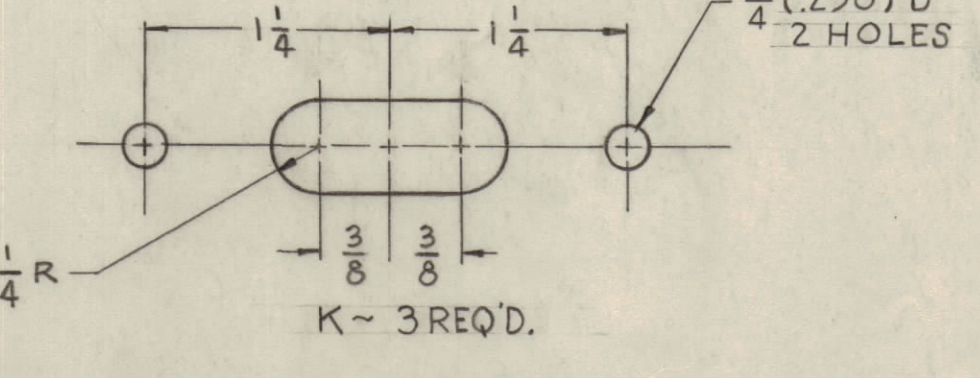
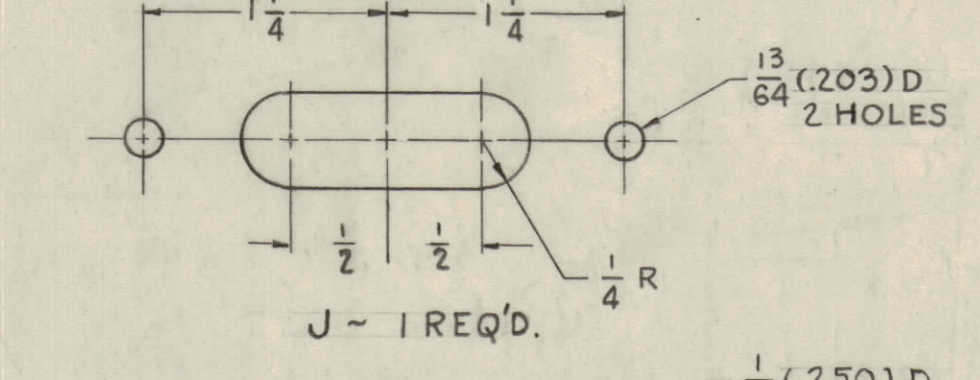
IF IT IS FOUND DESIRABLE TO CHANGE ANY TOLERANCE OR OTHER DETAIL SPECIFIED ON THIS DRAWING NOTIFY THE PURCHASER PROMPTLY.  
 MAXIMUM ALLOWABLE TOLERANCES HAVE BEEN DETERMINED AND DEVIATIONS WILL BE CAUSE FOR REJECTION.  
 REMOVE ALL BURRS AND SHARP EDGES

NOTICE TO PERSONS RECEIVING THIS DRAWING  
 THE TECHNICAL MATERIEL CORPORATION claims proprietary right in the material disclosed herein. This drawing is issued in confidence for engineering information only and may not be reproduced or used to manufacture anything shown herein without permission from THE TECHNICAL MATERIEL CORPORATION to the user. This drawing is loaned for mutual assistance and is subject to recall at any time.  
 Property of:  
 THE TECHNICAL MATERIEL CORPORATION  
 MAMARONECK, NEW YORK

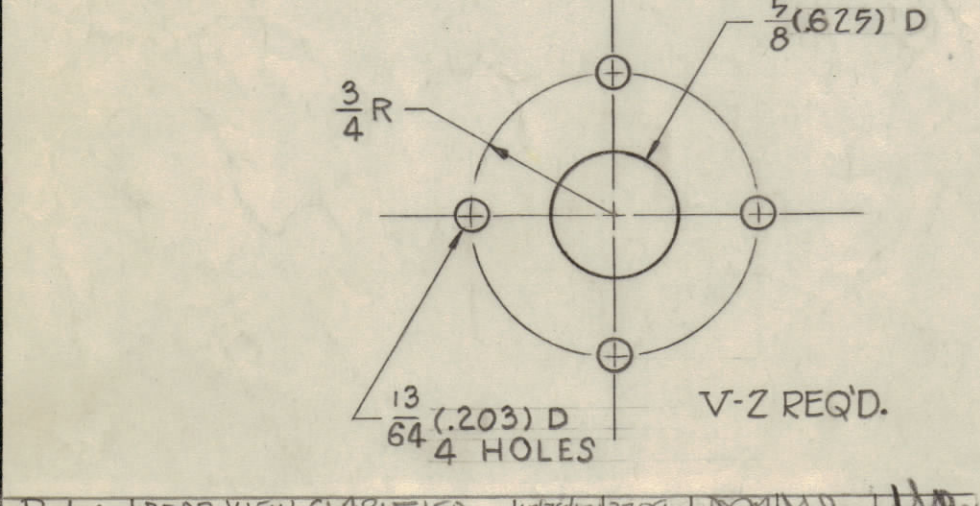


HOLE LEGEND

A 11/64 (.171) D	11 HOLES REQ.
B 13/64 (.203) D	23 " "
D 1/2 (.250) D	12 " "
E 5/16 (.312) D	4 " "
F 3/8 (.375) D	6 " "
H 1/8 (.125) D	3 " "
I 13/64 X 13/32	16 SLOTS
W 3/4 (.750) D	2 HOLES "



NOTE:  
 HOLES LEFT OUT ON THIS VIEW, ARE SHOWN ON REAR VIEW ABOVE.



REV	DESCRIPTION	DATE	BY	CHECKED	APP.
D	REAR VIEW CLARIFIED	10/26/58	3309		
C	NO CHANGE (ERROR)				
B	5/16 WAS 3/16 (ERROR)	1/15/58			
A	TWO "A" HOLES ADDED	1/8/58	517		
ISSUE	CHANGED FROM	DATE	CN. NO.	DRAFTS	CHECKER
					ENG. APP.

TOLERANCES:  
 ALL DEC. DIM. ± .001  
 OTHERS FRAG. DIM. ± .004  
 ANGULAR DIM. ± .02°

SCALE:  
 DRILL, PUNCH, COMMERCIAL STOCK SIZES AND MANUFACTURERS TOLERANCES ARE NOT INCLUDED.

1	RTM-2			10-13-58
REQ. PER UNIT	MODEL	PROJECT NO.	ASSY. NO.	DATE
				USED ON

REF - TMC DWG - LD-461

REQ. ITEM	PART NO.	DESCRIPTION	SYMBOL
	.081	THE TECHNICAL MATERIEL CORP. MAMARONECK, NEW YORK	
	ALUMINUM	MODULATOR CHASSIS	
	5052 H-32	J.C. BIELE	RFB
		HEAT TREAT. SPEC.	
		5-404 YEL. IRIDITE	
		FINISH & SPEC. NO.	
		CHECKED	FINAL APPROVAL
			MS-1382 D

MS-1382 D