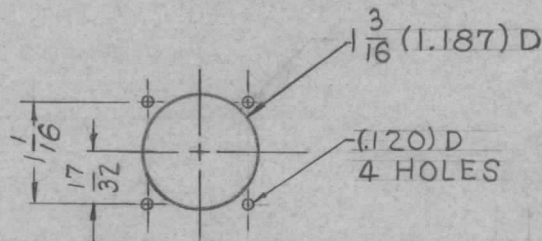
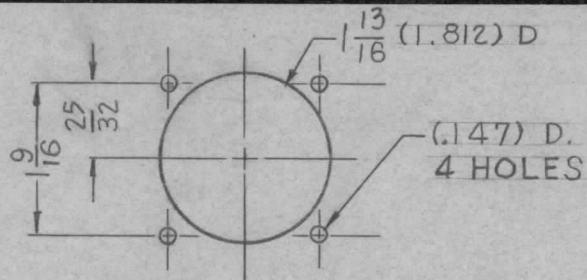
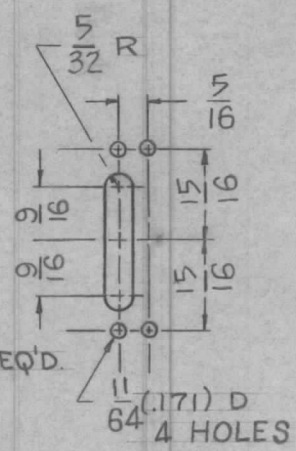
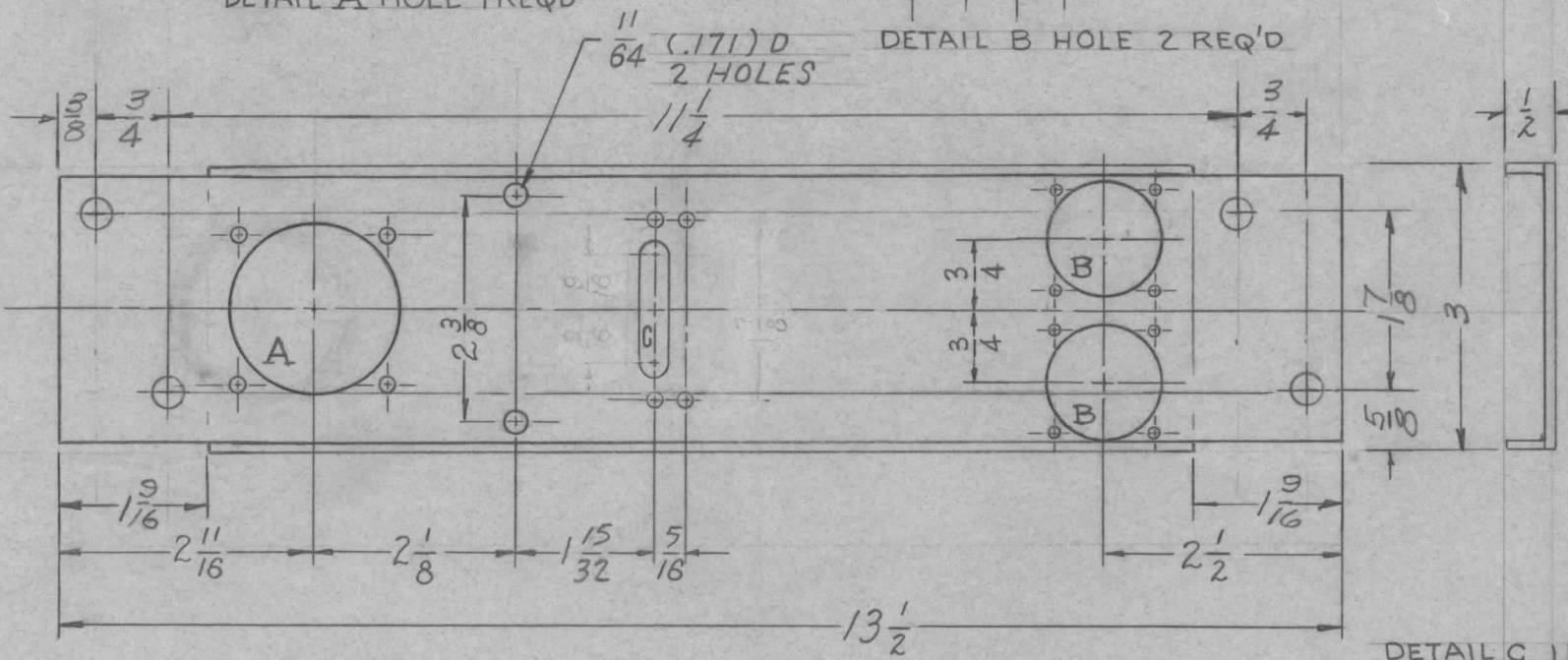


REQ. PER UNIT	USED ON		MS-1377	A
	MODEL	ASS'Y. NO.		
1	CAB-7		10-10-58	



5/16 HOLES - 4 REQ.



NOTE: S-404 YELLOW IRIDITE
 S-114 ZINC CHROMATE PRIMER
 S-220 BLUE GRAY, SEMI GLOSS ENAMEL

REF-TMC# LD-478
 REF: TMC MS-1360 SHEET 2 SEC B-B

REQ. ITEM	PART NO.	DESCRIPTION	SYMBOL
	.064 THICK	THE TECHNICAL MATERIEL CORP. MAMARONECK, NEW YORK	CHASSIS, CONNECTOR MTG. GUIDE PIN BRACKET
	STOCK SIZE		
	ALUMINUM		
	5052-H32	10-10-58	
ISSUE ITEM	CHANGED FROM	DATE	CH. NO. DRAFTS CHECKER ENG. APP.
TOLERANCES		SCALE: 6"=1'0"	
DEC. DIM. ±		MAXIMUM ALLOWABLE TOLERANCES HAVE BEEN DETERMINED AND ANY DEVIATIONS WILL BE CAUSE FOR REJECTION.	
FRAC. DIM. ± 1/64		REMOVE ALL BURRS AND SHARP EDGES	
ANGULAR DIM. ±			
TYPE & TEMPER		HEAT TREAT. SPEC.	DRAWN
SEE NOTE			CHECKED
FINISH & SPEC. NO.		ELEC. DES. APP.	MECH. DES. APP.
			MS-1377 A