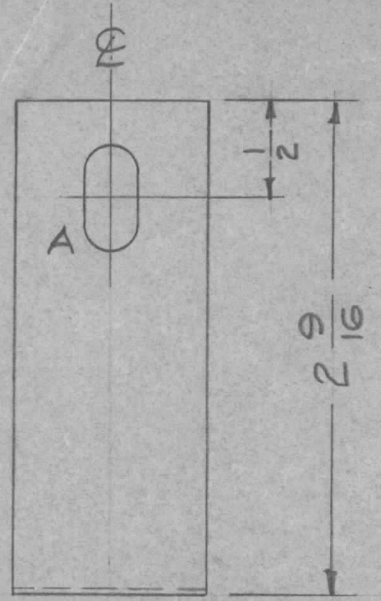
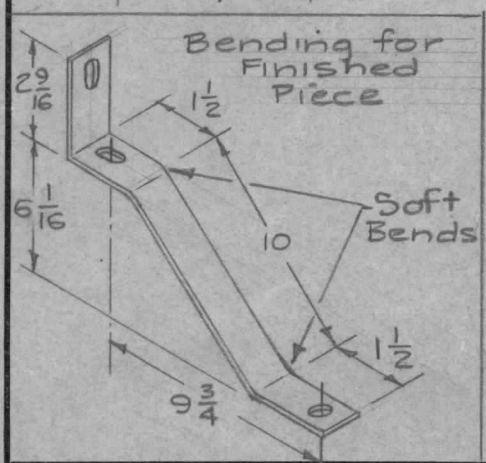
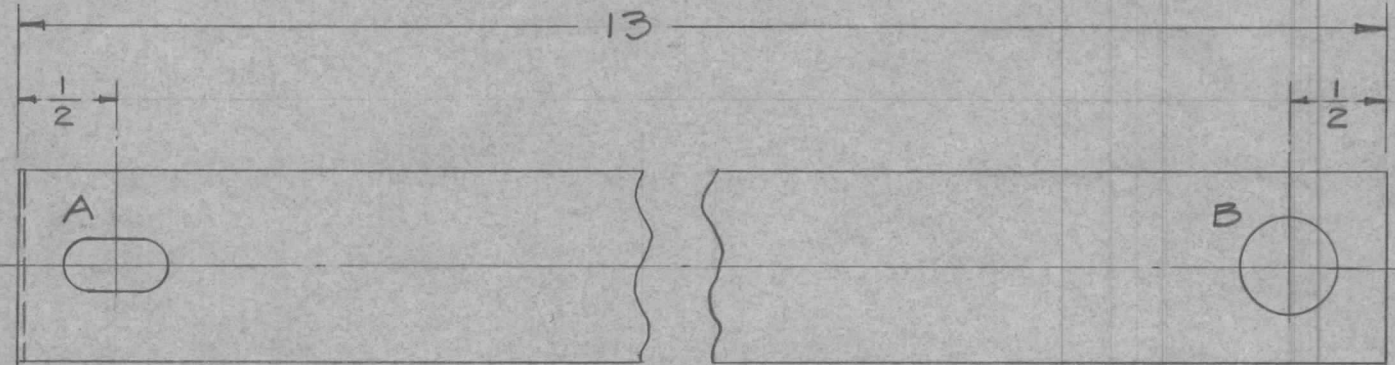


REQ. PER UNIT	USED ON		
	MODEL	ASS'Y. NO.	DATE
2	TER-5000-70		1-28-59

MS-1373



A - $\frac{17}{64} \times \frac{17}{32}$ SLOT 2 Req.
 B - $\frac{17}{32}$ (.531) D. 1 Req.



REQ.	ITEM	PART NO.	DESCRIPTION			SYMBOL	
			THE TECHNICAL MATERIEL CORP.				
			MAMARONECK, NEW YORK				
			LEAD, GROUND, BOTTOM				
			MATERIAL				
			Comm. Hard	16/28/59	HD	AL	
			TYPE & TEMPER	HEAT TREAT. SPEC.	DRAWN	CHECKED	
			5245 Silver Plate .0005			S.G.	
			FINISH & SPEC. NO.	ELEC. DES. APP.	MECH. DES. APP.	MS-1373	
ISSUE	ITEM	CHANGED FROM	DATE	CH. NO.	DRAFTS	CHECKER	ENG. APP.
TOLERANCES			SCALE: FULL SCALE				
DEC. DIM. ±			MAXIMUM ALLOWABLE TOLERANCES HAVE BEEN DETERMINED AND ANY DEVIATIONS WILL BE CAUSE FOR REJECTION.				
FRAC. DIM. ± 1/64			REMOVE ALL BURRS AND SHARP EDGES				
ANGULAR DIM. ±							