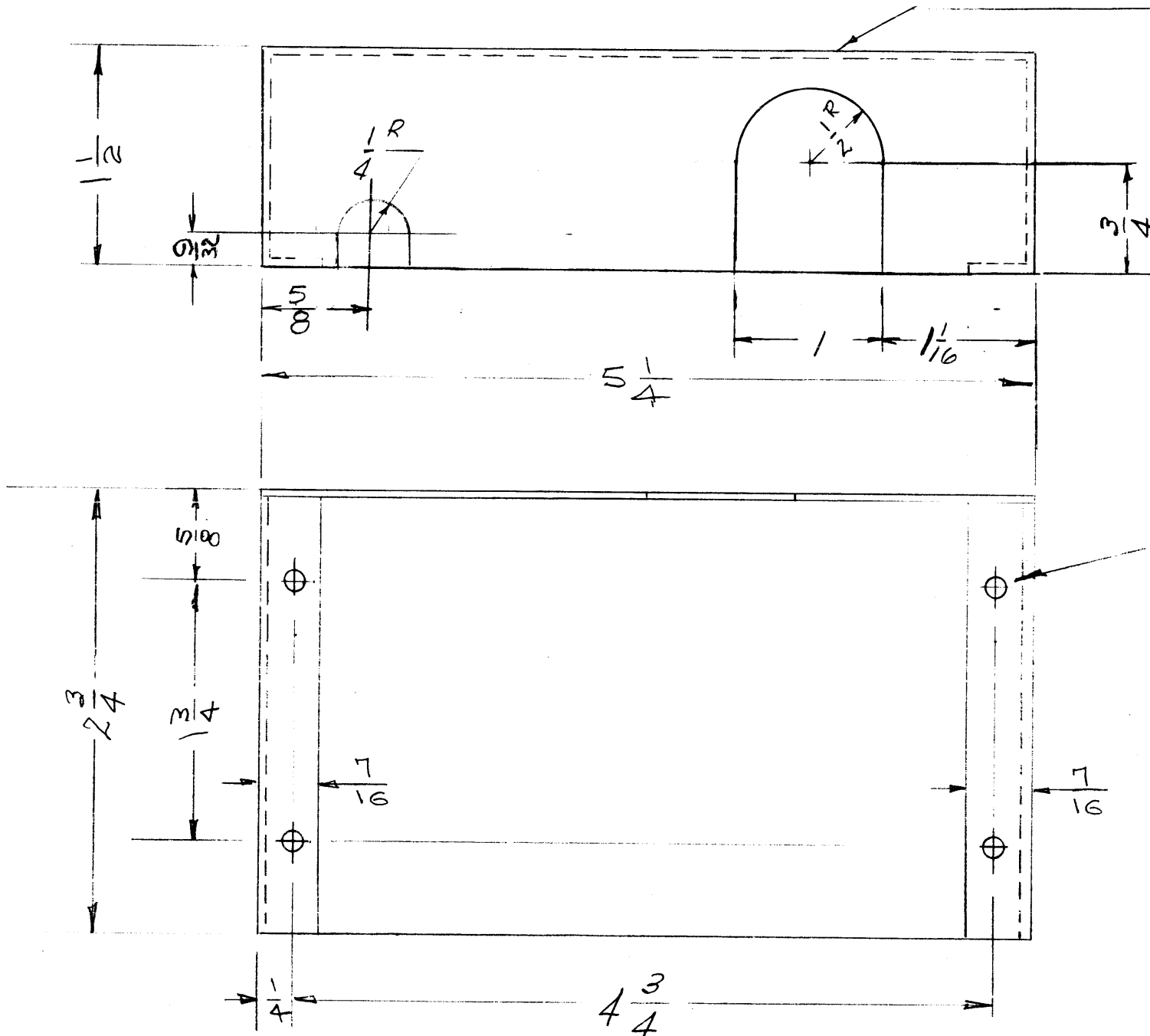


MS-1312 D



Stamp Cover as Follows;
Red Gothic:
DANGER
HIGH VOLTAGE

THE TECHNICAL MATERIEL CORPORATION claims
proprietory right in the material disclosed hereon.
This drawing is issued in confidence for engineering
information only and may not be reproduced or used
to manufacture anything shown hereon without per-
mission from THE TECHNICAL MATERIEL CORPORA-
TION to the user. This drawing is loaned for mutual
assistance and is subject to recall at any time.

Property of:
THE TECHNICAL MATERIEL CORPORATION
MAMARONECK, NEW YORK

NOTE: FINISH
S-404 YELLOW IRIDITE
S-114 ZINC CHROMATE PRIMER
S-520 BLUE GREY TEXTURED VINYL.

D	1	IN NOTES S-520 WAS S-254	8-7-63	9654	AK	gms	EMN
C	1	5/8 DIM WAS 1/2	8/15/60		JOM	jle	EMN
B	1	S-404 WAS S-101	12/14/59	1001	AB		EMN
A	2	2 3/4 WAS 3"	8/15/58				
	1	DIR. CHG. 1/16 WAS 5/8 ADDED 1/4 R. SLOT		425	amc	jle	
ISSUE	ITEM	CHANGED FROM	DATE	CH. NO.	DRAFTS	CHECKER	ENG. APP.
TOLERANCES			SCALE: FULL				
DEC. DIM. ±			MAXIMUM ALLOWABLE TOLERANCES HAVE				
FRAC. DIM. ± 1/64			BEEN DETERMINED AND ANY DEVIATIONS				
ANGULAR DIM. ±			WILL BE CAUSE FOR REJECTION.				
			REMOVE ALL BURRS AND SHARP EDGES				

1	TRL-2/502			8-13-58
1	TRL-1/702			8-13-58
REQ. PER UNIT	MODEL	PROJECT NO.	ASS'Y. NO.	DATE
USED ON				

REQ. ITEM	PART NO.	DESCRIPTION	SYMBOL
	.051	THE TECHNICAL MATERIEL CORP.	
	STOCK SIZE	MAMARONECK, NEW YORK	
	ALUMINUM	COVER, RELAY CHASSIS	
	MATERIAL		
E052-H32			
TYPE & TEMPER	HEAT TREAT. SPEC.	DRAWN	CHECKED
SEE NOTE			
FINISH & SPEC. NO.	ELEC. DES. APP.	MECH. DES. APP.	
			MS-1312 D