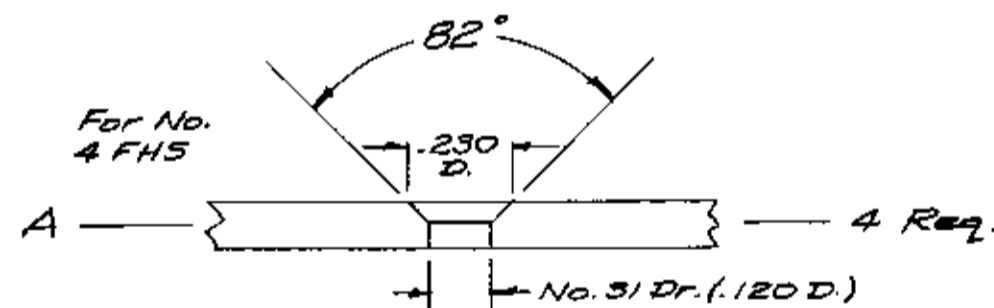
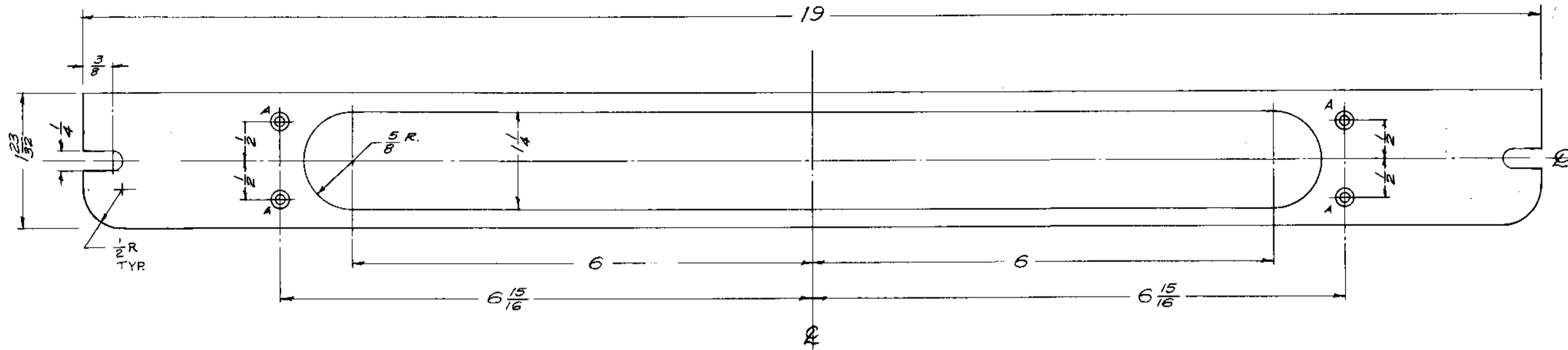


IF IT IS FOUND DESIRABLE TO CHANGE ANY TOLERANCE OR OTHER DETAIL SPECIFIED ON THIS DRAWING NOTIFY THE PURCHASER PROMPTLY.
 MAXIMUM ALLOWABLE TOLERANCES HAVE BEEN DETERMINED AND DEVIATIONS WILL BE CAUSE FOR REJECTION. REMOVE ALL BURRS AND SHARP EDGES



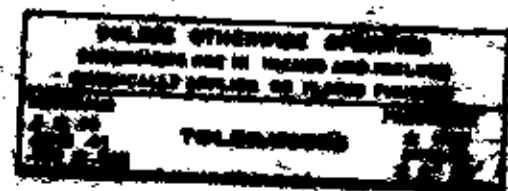
MS-1309 C

Finish Note:
 S404 VEL. IRIDIUM
 5114-Zinc Chromate Primer } Front & Edges Only
 5115-Smooth Grey Enamel }

NOTICE TO PERSONS RECEIVING THIS DRAWING

THE TECHNICAL MATERIEL CORPORATION claims proprietary right in the material disclosed hereon. This drawing is issued in confidence for engineering information only and may not be reproduced or used to manufacture anything shown hereon without permission from THE TECHNICAL MATERIEL CORPORATION to the user. This drawing is loaned for mutual assistance and is subject to recall at any time.

Property of:
 THE TECHNICAL MATERIEL CORPORATION
 MAMARONECK, NEW YORK



ISSUE	ITEM	CHANGED FROM	DATE	CN. NO.	DRAFTS	CHECKER	ENG. APP.
C	1	RADIUS 1/2 WAS 1-1/4 R.	8-1-60	2678	cy	AW	EMN
B	1	S404 - IRIDIUM 5101 CAUSTIC P.D.	12-8-59	1001	J	AW	EMN
A	1	1-23/32 WAS 1-1/4 (ERR.)	8/2/58	1	6	AW	EMN

TOLERANCES: DEC. DIM. ± 1/64, FRAC. DIM. ± 1/64, ANGULAR DIM. ±

SCALE: FULL

DRILL, PUNCH, COMMERCIAL STOCK SIZES AND MANUFACTURERS TOLERANCES ARE NOT INCLUDED.

REQ. PER UNIT	MODEL	PROJECT NO.	ASS'Y. NO.	DATE
1	TOC			8-1-58

REQ. ITEM	PART NO.	DESCRIPTION	SYMBOL
5/16 THK.		THE TECHNICAL MATERIEL CORP. MAMARONECK, NEW YORK	
Aluminum		PANEL, FRONT, UTILITY COMPART. (BOTTOM)	
2024-T3		160-1-58	
HEAT TREAT. SPEC.		DRAWN: [Signature]	ELEC. DES. APP. [Signature]
FINISH & SPEC. NO.		CHECKED: [Signature]	MECH. DES. APP. [Signature]
See Note		WAS 4-1092 SKETCH	FINAL APPROVAL: [Signature]
			MS-1309 C