

NOTED TO PERSONS RECEIVING THIS DRAWING

THE TECHNICAL MATERIEL CORPORATION claims proprietary right in the material disclosed hereon. This drawing is issued in confidence for engineering information only and may not be reproduced or used to manufacture anything shown hereon without permission from THE TECHNICAL MATERIEL CORPORATION to the user. This drawing is loaned for mutual assistance and is subject to recall at any time.

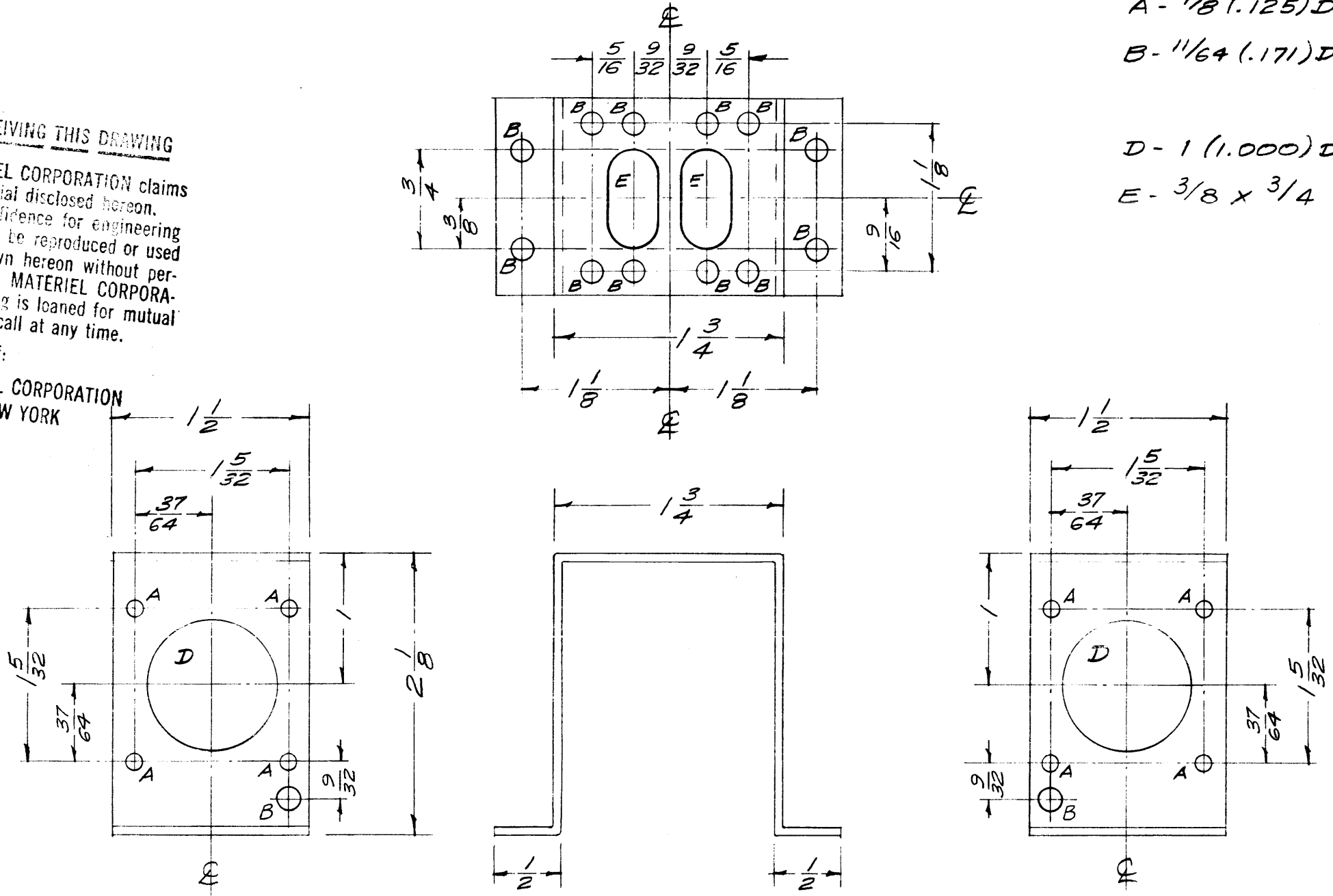
Property of:
THE TECHNICAL MATERIEL CORPORATION
MAMARONECK, NEW YORK

A - 1/8 (.125) D. 8 Req.

B - 1/64 (.171) D. 14 Req.

D - 1 (1.000) D. 2 Req.

E - 3/8 x 3/4 SLOT 2 Req.



ISSUE	ITEM	CHANGED FROM	DATE	CH. NO.	DRAFTS	CHECKER	ENG. APP.
B	1	S-404 WAS S-101	12/14/59	1001	AR		EMN
A	2	C holes changed to B holes	2/19/59	793	JCB.		
	1	3/8 x 3/4 SLOT WAS 5/16 x 11/16					

TOLERANCES: DEC. DIM. ±, FRAC. DIM. ± 1/64, ANGULAR DIM. ±

SCALE: FULL

MAXIMUM ALLOWABLE TOLERANCES HAVE BEEN DETERMINED AND ANY DEVIATIONS WILL BE CAUSE FOR REJECTION. REMOVE ALL BURRS AND SHARP EDGES

REQ. PER UNIT	MODEL	PROJECT NO.	ASS'Y. NO.	DATE
1	A-1532/PVC			7-28-58

USED ON

REQ. ITEM	PART NO.	DESCRIPTION	SYMBOL
	.001 THK.	THE TECHNICAL MATERIEL CORP. MAMARONECK, NEW YORK	
	STOCK SIZE		
	ALUMINUM	BRACKET, TRANSFORMER MTG.	
	MATERIAL		
5052-H32		16 7/28/58	
	TYPE & TEMPER	HEAT TREAT. SPEC.	DRAWN
S-404 YELLOW IRIDITE			CHECKED
	FINISH & SPEC. NO.	ELEC. DES. APP.	MECH. DES. APP.

MS-1295 B