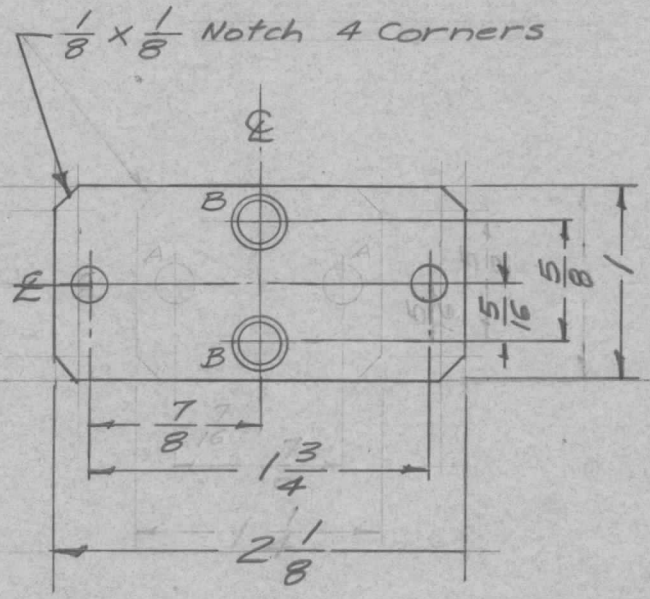
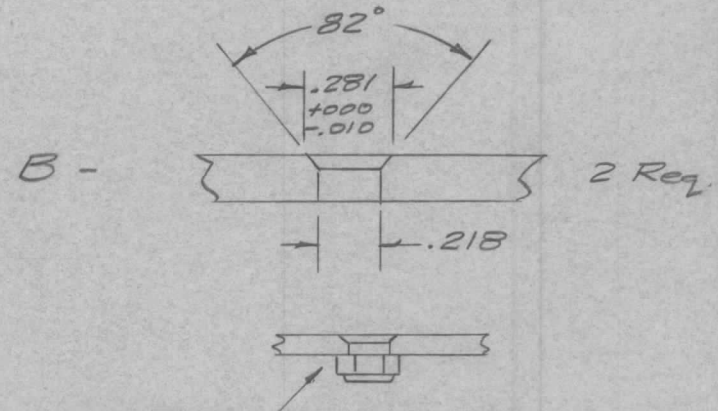


REQ. PER UNIT	USED ON			MS-1270	B
	MODEL	ASS'Y. NO.	DATE		
1	RFA-1		5-21-58		



A - $1\frac{3}{64}$ (.203) D. 2 Req.



Mount 5M-111-D-206 in "B" Holes as Shown

REQ. ITEM	PART NO.	DESCRIPTION	SYMBOL
	.081 THK.	THE TECHNICAL MATERIEL CORP. MAMARONECK, NEW YORK PLATE, TUBE CLAMP MOUNTING	
	STOCK SIZE		
	ALUMINUM		
	MATERIAL		
B 1	5404-Y-IRIDITE WAS 5101-CAUSTIC DIP	12-8 59	1001 P EMN
A 1	2-1/8 WAS 1-1/4 7/8, 1-3/4 WAS 7/16, 7/8	7/1/58	404 K file dk
ISSUE ITEM	CHANGED FROM	DATE	CH. NO. DRAFTS CHECKER ENG. APP.
TOLERANCES		SCALE: FULL	
DEC. DIM. \pm		MAXIMUM ALLOWABLE TOLERANCES HAVE BEEN DETERMINED AND ANY DEVIATIONS WILL BE CAUSE FOR REJECTION.	
FRAC. DIM. \pm 1/64		REMOVE ALL BURRS AND SHARP EDGES	
ANGULAR DIM. \pm			
	5052-H32	16 5/21/58	file dk
	TYPE & TEMPER	HEAT TREAT. SPEC.	DRAWN CHECKED FINAL APPROVAL
	5404-1/2 IRIDITE		MS-1270 B
	FINISH & SPEC. NO.	ELEC. DES. APP.	MECH. DES. APP.