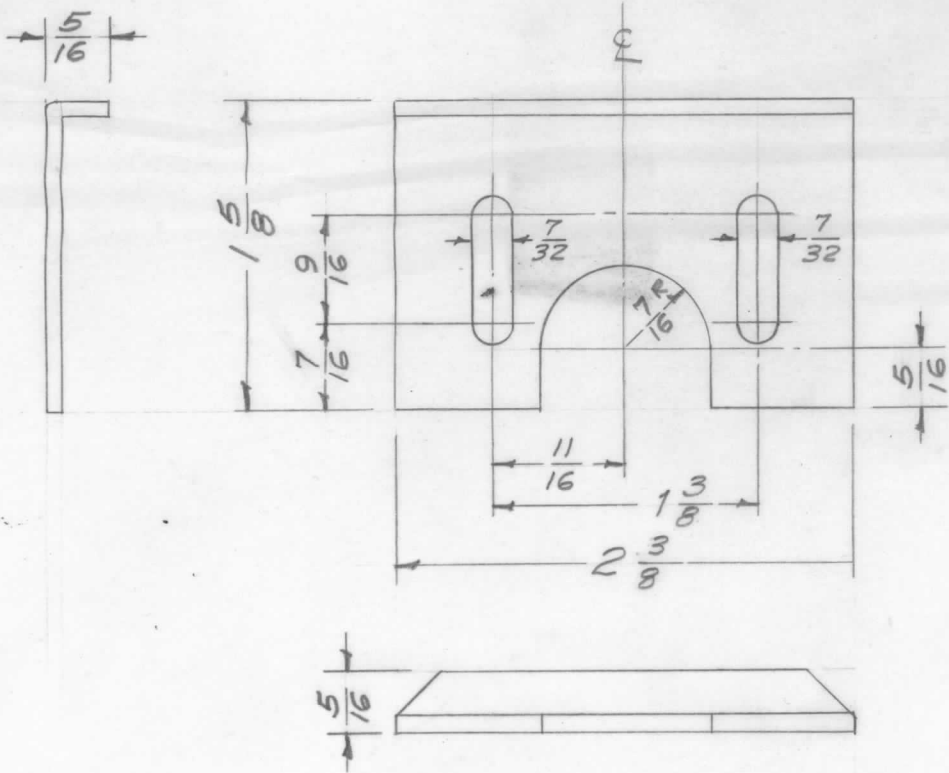


REQ. PER UNIT	USED ON			MS-1252	A
	MODEL	ASS'Y. NO.	DATE		
1	RFA-1		5-13-58		



Deleted from RFA-1 5-17-58  
Replaced by MS-1265

ISSUE	ITEM	CHANGED FROM	DATE	CH. NO.	DRAFTS	CHECKER	ENG. APP.	REQ. ITEM	PART NO.	DESCRIPTION	SYMBOL		
								.081 THK.		THE TECHNICAL MATERIEL CORP. MAMARONECK, NEW YORK			
								STOCK SIZE					
								ALUMINUM		PLATE, CONNECTOR			
								MATERIAL		LOCKING			
A	1	5404-YEL-IRIDITE WAS 5101-CAUSTIC DIP	7-8 59	1001	P		EMV	5052-H32		16 5/13/58	JADe	ahk	
TOLERANCES			SCALE: FULL					TYPE & TEMPER	HEAT TREAT. SPEC.	DRAWN	CHECKED	FINAL APPROVAL	
DEC. DIM. ±			MAXIMUM ALLOWABLE TOLERANCES HAVE BEEN DETERMINED AND ANY DEVIATIONS WILL BE CAUSE FOR REJECTION. REMOVE ALL BURRS AND SHARP EDGES					5404 YEL-IRIDITE			REB	MS-1252	A
FRAC. DIM. ± 1/16 4								FINISH & SPEC. NO.	ELEC. DES. APP.	MECH. DES. APP.			
ANGULAR DIM. ±													