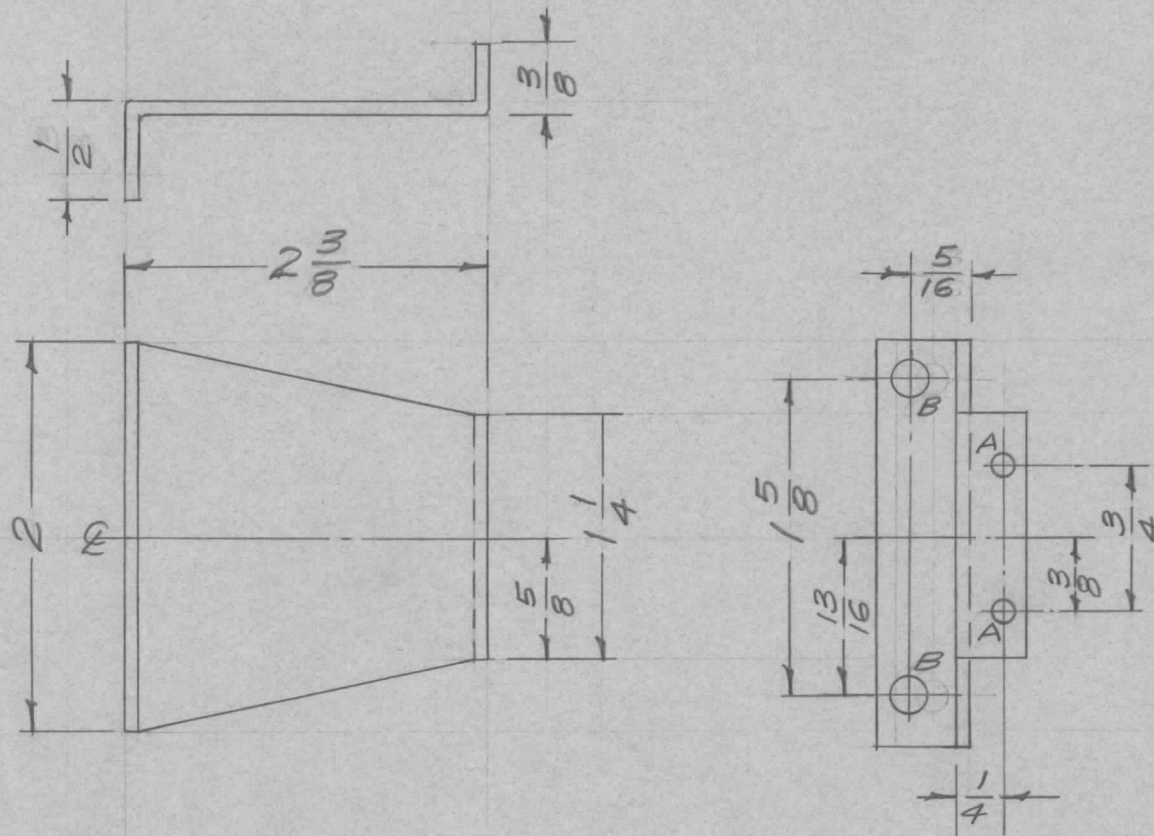


REQ. PER UNIT	USED ON			MS-1229	C
	MODEL	ASS'Y. NO.	DATE		
2	PSP-350		4-28-58		
2	PSP-350A				



A - 1/8 (.125) D. 2 Req.
 B - 13/64 (.203) D. 2 Req.

ISSUE	ITEM	CHANGED FROM	DATE	CH. NO.	DRAFTS	CHECKER	ENG. APP.	REQ. ITEM	PART NO.	DESCRIPTION	SYMBOL		
C	1	DWG UPDATED	11/3/58	10348	DD	m/h	QRB			THE TECHNICAL MATERIEL CORP. MAMARONECK, NEW YORK	C		
B	1	S404-1RIDITE WAS 5101 CAUSTIC DIP	12-8-59	1001	P		EMAN		.064 THK			STOCK SIZE	
A	1	1 1/2 LIP WAS 3/8 5/16 C. WAS 3/16 2-3/8 WAS 1-7/8	5/1/58	1	16	Jade	QRB		Aluminum			BRACKET, CONNECTOR MTG.	
TOLERANCES								SCALE: FULL					
DEC. DIM. ±								MAXIMUM ALLOWABLE TOLERANCES HAVE BEEN DETERMINED AND ANY DEVIATIONS WILL BE CAUSE FOR REJECTION.					
FRAC. DIM. ± 1/64								REMOVE ALL BURRS AND SHARP EDGES					
ANGULAR DIM. ±													
5052-H32								N		16/28/58	Jade	QRB	
TYPE & TEMPER								HEAT TREAT. SPEC.		DRAWN	CHECKED	FINAL APPROVAL	
S404-1RIDITE													
FINISH & SPEC. NO.								ELEC. DES. APP.		MECH. DES. APP.		MS-1229	C