

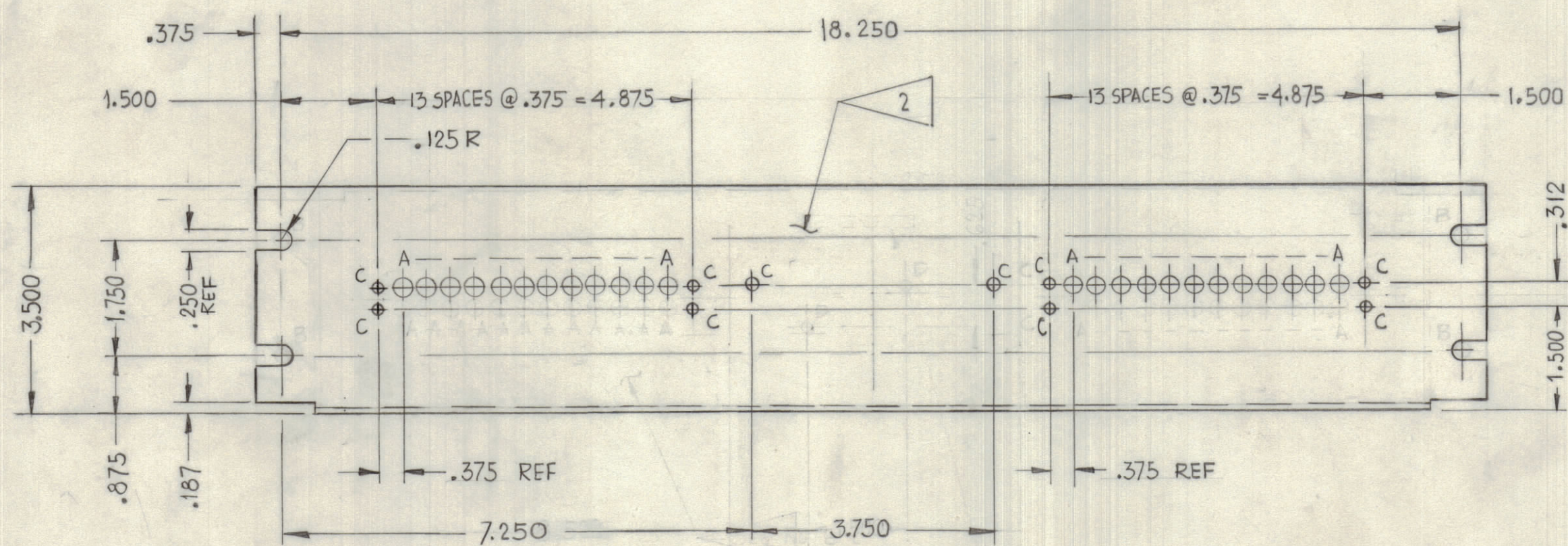
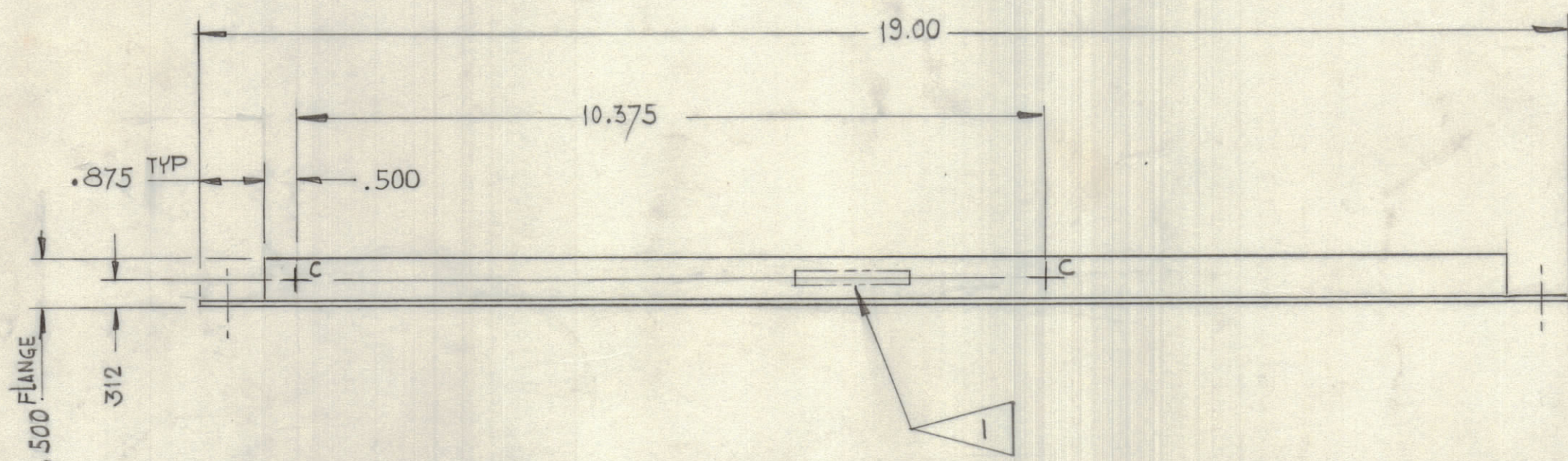
IF IT IS FOUND DESIRABLE TO CHANGE ANY TOLERANCE OR OTHER DETAIL SPECIFIED ON THIS DRAWING NOTIFY THE PURCHASER PROMPTLY.

DIMENSIONS IN INCHES UNLESS OTHERWISE SPECIFIED

MAXIMUM ALLOWABLE TOLERANCES HAVE BEEN DETERMINED AND DEVIATIONS WILL BE CAUSE FOR REJECTION. REMOVE ALL BURRS AND SHARP EDGES.

REQ.	ITEM	PART NO.	DESCRIPTION	SYMBOL
------	------	----------	-------------	--------

ISSUE	ITEM	CHANGED FROM	DATE	CN. NO.	DRAFTS	CHECKER	ENG. APP.
Ø		PROD. RELEASE	13 DEC 73		LM		



STOCK NO.  
250-041  
MS11547 Ø

HOLE DATA TABLE		
HOLE	DESCRIPTION	QTY
A	.250 DIA	24
B	.234 DIA	4
C	.171 DIA	10
D	.140 DIA	2

- NOTES:~
- METAL STAMP TMC PART NO.  $\frac{1}{8}$  HIGH GOTHIC IN APPROXIMATE POSITION SHOWN.
  - SILK SCREEN LETTERING PER MS11547-M1 ON THIS SIDE.

REF: MS11547 - M1

.081 THK.	TMC (Canada) LIMITED OTTAWA ONTARIO		
AL ALLOY	INTERFACE PANEL		
5052 - H32	DRWN	ELEC. DES. APP.	MECH. DES. APP.
IRIDITE S404	CHECKED	FINAL APPROVAL	
			MS11547 Ø

TRS-500/01	040001	TRS-500/01	Nov. 19, 1973
MODEL	PROJECT NO.	ASSY. NO.	DATE

TOLERANCES	SCALE: 1:2
ALL OTHERS DEC. DIM. ± .05 FRAC. DIM. ± $\frac{1}{64}$ ANGULAR DIM. ± 0° 30'	DRILL, PUNCH, COMMERCIAL STOCK SIZES AND MANUFACTURERS TOLERANCES ARE NOT INCLUDED.

IF IT IS FOUND DESIRABLE TO CHANGE ANY TOLERANCE OR OTHER DETAIL SPECIFIED ON THIS DRAWING NOTIFY THE PURCHASER PROMPTLY.

DIMENSIONS IN INCHES UNLESS OTHERWISE SPECIFIED

MAXIMUM ALLOWABLE TOLERANCES HAVE BEEN DETERMINED AND DEVIATIONS WILL BE CAUSE FOR REJECTION. REMOVE ALL BURRS AND SHARP EDGES.

ISSUE	ITEM	CHANGED FROM	DATE	CN. NO.	DRAFTS	CHECKER	ENG. APP.
-------	------	--------------	------	---------	--------	---------	-----------

REQ.	ITEM	PART NO.	DESCRIPTION	SYMBOL
------	------	----------	-------------	--------



MS11547-MI X

NOTE:  
LETTERING TO BE AS PER TMC SPEC  
S-727 COLOUR BLACK

TOLERANCES		SCALE: 1:1
ALL	DEC. DIM. ± .05	DRILL, PUNCH, COMMERCIAL STOCK SIZES AND MANUFACTURERS TOLERANCES ARE NOT INCLUDED.
OTHERS	FRAC. DIM. ± 1/64 .XX+.01	
	ANGULAR DIM. ± 0° 30' .XXX-.005	

TR5-500/01	040001	TR5-500/01	NOV 19 1973
MODEL	PROJECT NO.	ASSY. NO.	DATE

STOCK SIZE		TMC (Canada) LIMITED OTTAWA ONTARIO	
MATERIAL		INTERFACE PANEL	
WEIGHT PER PC.		LETTERING	
TYPE & TEMPER		ELEC. DES. APP. MECH. DES. APP.	
HEAT TREAT. SPEC.		CHECKED	
FINISH & SPEC. NO.		FINAL APPROVAL	
		MS11547-MI X	