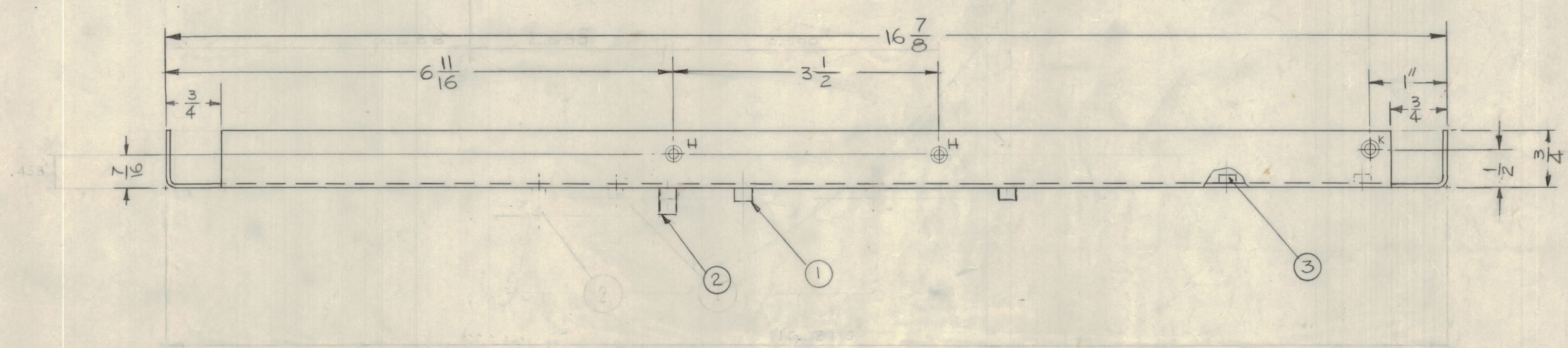
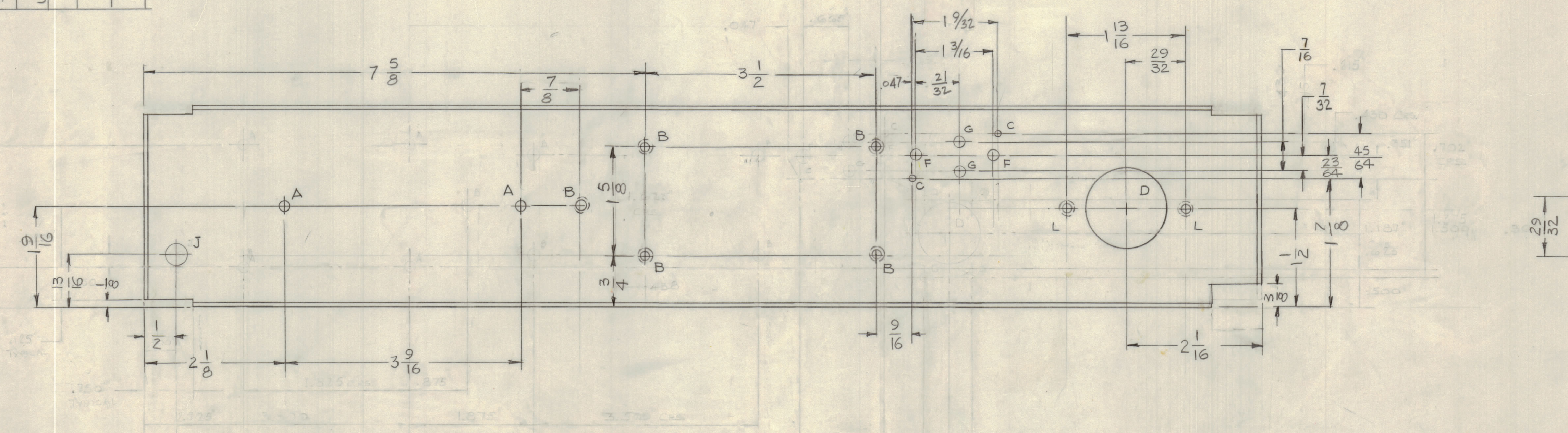


MS 11257 E

REQ	ITEM	PART NO.	DESCRIPTION	SYMBOL
4	1	TEIG4-G	PLAIN CLINCH NUT	B
1	2	TEIG4-11	PLAIN CLINCH NUT	B
2	3	NT129-0632-4	NUT, ROUND	

ISSUE	ITEM	CHANGED FROM	DATE	CN. NO.	DRAFTS	CHECKER	ENG. APP.
Ø		PROD. RELEASE	3/12/70				
A		REVISED PER CEMN	DEC 17-70	883	G.C.T.		
B		REVISED PER CEMN	JAN 13-71	894	G.C.T.		
C		REVISED PER CEMN	JAN 71	899	G.C.T.		
D		REVISED PER CEMN	FEB 8-71	908	G.C.T.		
E		CHANGE DIMS FROM DECIMAL TO FRACT. REVISED & UPDATED	5/21/81	2005	SDL		



HOLE	DESCRIPTION	REQD
A	.13/64 DIA.	2
B	.189 DIA.	5
C	7/64 DIA.	2
D	1/4 DIA.	1
E	11/64 DIA	4
F	7/32	2
G	.162 DIA.	2
H	.140 DIA. CSINK. 235	2
J	.13/32 DIA	3
K	.171 DIA CSUNK .280 DIA. AT 82°	1
L	.191-.194 DIA	2

NOTE ITEMS 1 & 2 TO BE FITTED AFTER SILK SCREENING.

TOLERANCES UNLESS OTHERWISE SPECIFIED	SCALE: FULL SIZE
ALL DEC DIM ± .015 .XX ± .01 .XXX ± .005	DRILL, PUNCH, COMMERCIAL STOCK SIZES AND MANUFACTURERS TOLERANCES ARE NOT INCLUDED

REF. LD 10415

V.M.C. 8	084171	OCT. 7th 1970
MODEL	PROJECT NO.	DATE
	ASSY. NO.	
	USED ON	

.064 STOCK SIZE	TMC(Canada)LIMITED OTTAWA ONTARIO	
AL. ALLOY.	MOUNTING BRACKET.	
MATERIAL 575 H32	WEIGHT PER PC	
TYPE & TEMPER	G.C.T.	
	DRAWN	ELEC DES APP
		MECH DES APP
	CHECKED	FINAL APPROVAL
		MS 11257 E