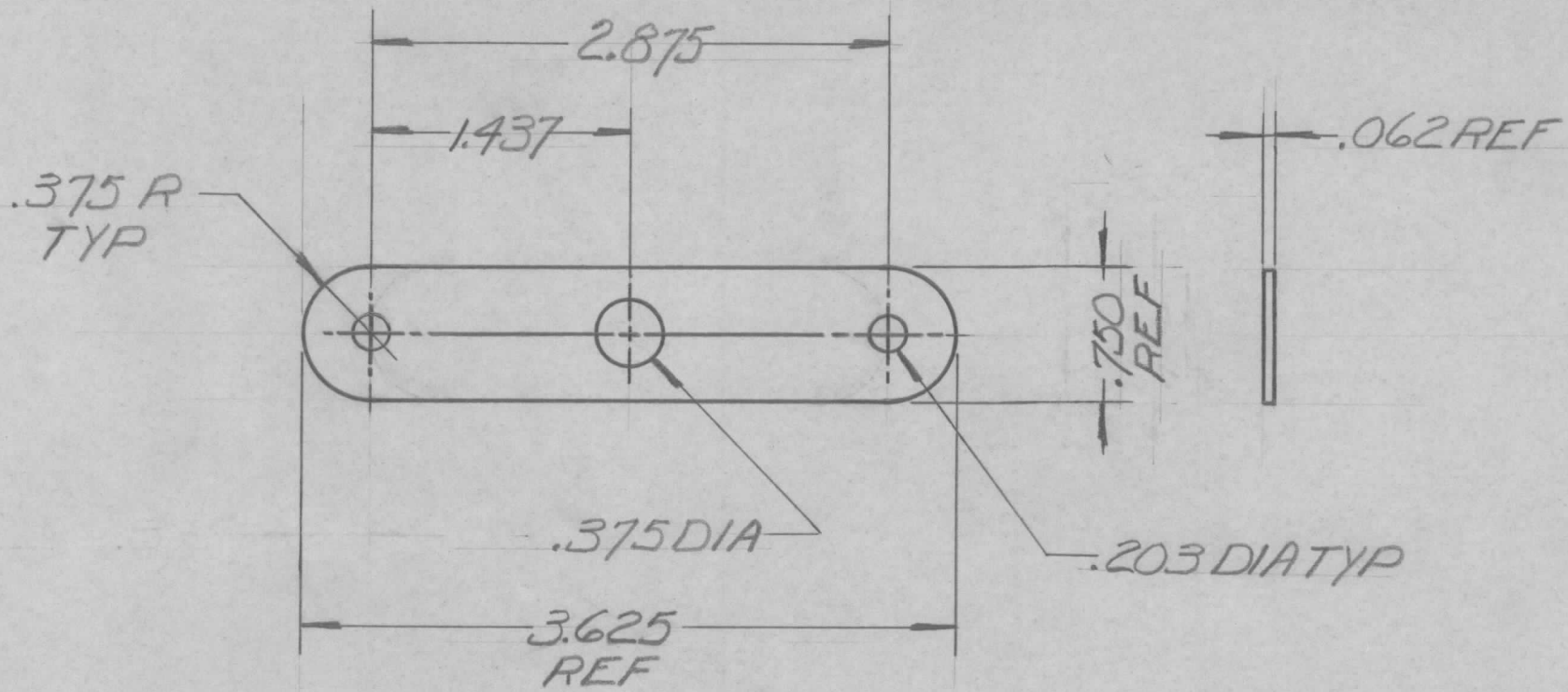


ISSUE	ITEM	CHANGED FROM	DATE	CN. NO.	DRAFTS	CHECKER	ENG. APP.	REQ.	ITEM	PART NO.	DESCRIPTION	SYMBOL
-------	------	--------------	------	---------	--------	---------	-----------	------	------	----------	-------------	--------

Ø REL TO PROD 18 DEC 69 PW



LPA	038-69		18 DEC 69	.062 THK		TMC (Canada) LIMITED OTTAWA ONTARIO	
MODEL	PROJECT NO.	ASS'Y. NO.	DATE	STOCK SIZE		PLATE, TIE	
USED ON				AL ALY			
MAXIMUM ALLOWABLE TOLERANCES HAVE BEEN DETERMINED AND DEVIATIONS WILL BE CAUSE FOR REJECTION. REMOVE ALL BURRS AND SHARP EDGES			IF IT IS FOUND DESIRABLE TO CHANGE ANY TOLERANCE OR OTHER DETAIL SPECIFIED ON THIS DRAWING NOTIFY THE PURCHASER PROMPTLY.		575 H32		
TOLERANCES			SCALE 1/1		TYPE & TEMPER	Williams	
ALL OTHERS			DIMENSIONS IN INCHES UNLESS OTHERWISE SPECIFIED		HEAT TREAT. SPEC.	DRAWN	ELEC. DES. APP.
DEC. DIM. ± .015 FRAC. DIM. ± 1/64 ANGULAR DIM. ± 0° 30'			DRILL: PUNCH. COMMERCIAL STOCK SIZES AND MANUFACTURERS TOLERANCES ARE NOT INCLUDED.		IRIDITE S404	CHECKED	MECH. DES. APP.
FINISH & SPEC. NO.						FINAL APPROVAL	
						MS11128 Ø	