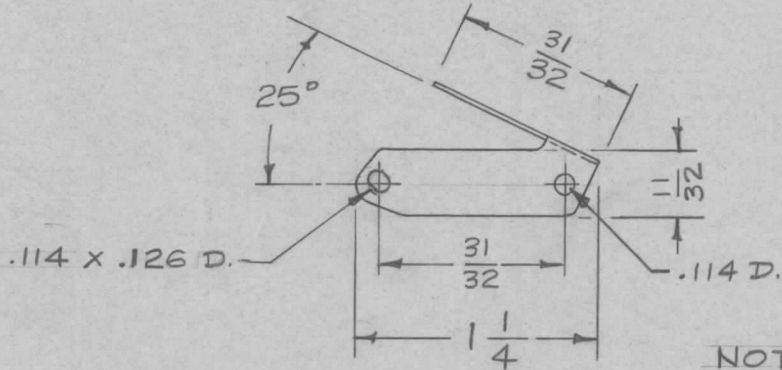
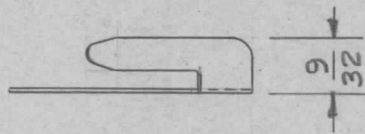


REQ. PER UNIT	USED ON			MS-1174 A
	MODEL	ASS'Y. NO.	DATE	
2	ATS		12-18-57	



NOTE - All Dimensions for Reference Only.

Mtg. Hardware (Screw)

UNLESS OTHERWISE SPECIFIED DIMENSIONS ARE IN INCHES AND INCLUDE CHEMICALLY APPLIED OR PLATED FINISHES		
DECIMALS	TOLERANCES	FRACTIONS
.X ± .05		± 1/64
.XX ± .01		ANGLES ± 0° 30'
.XXX ± .005		

CUT HERE
GUARANTEED
2-66

REF: MICRO - CAT. # JV-43 (USE WITH SW-189)

REQ.	ITEM	PART NO.	DESCRIPTION				SYMBOL
		.012 THK. (27 GA)	THE TECHNICAL MATERIEL CORP. MAMARONECK, NEW YORK				
		CORROSION RESISTANT STEEL	ADAPTOR, SWITCH ACTUATOR				
		MATERIAL					
A	DELE. MTG. HARDWARE NOTE JV43 WAS JV-1, .012 THK. WAS .014	12-18-64	13/04	WLD	JSR	JSR	
ISSUE	ITEM	CHANGED FROM	DATE	CH. NO.	DRAFTS	CHECKER	ENG. APP.
TOLERANCES			SCALE: FULL				
DEC. DIM. ±			MAXIMUM ALLOWABLE TOLERANCES HAVE BEEN DETERMINED AND ANY DEVIATIONS WILL BE CAUSE FOR REJECTION. REMOVE ALL BURRS AND SHARP EDGES				
FRAC. DIM. ±							
ANGULAR DIM. ±							
TYPE & TEMPER		HEAT TREAT. SPEC.	DRAWN	CHECKED	FINAL APPROVAL		
FINISH & SPEC. NO.		ELEC. DES. APP.	MECH. DES. APP.	MS-1174 A			