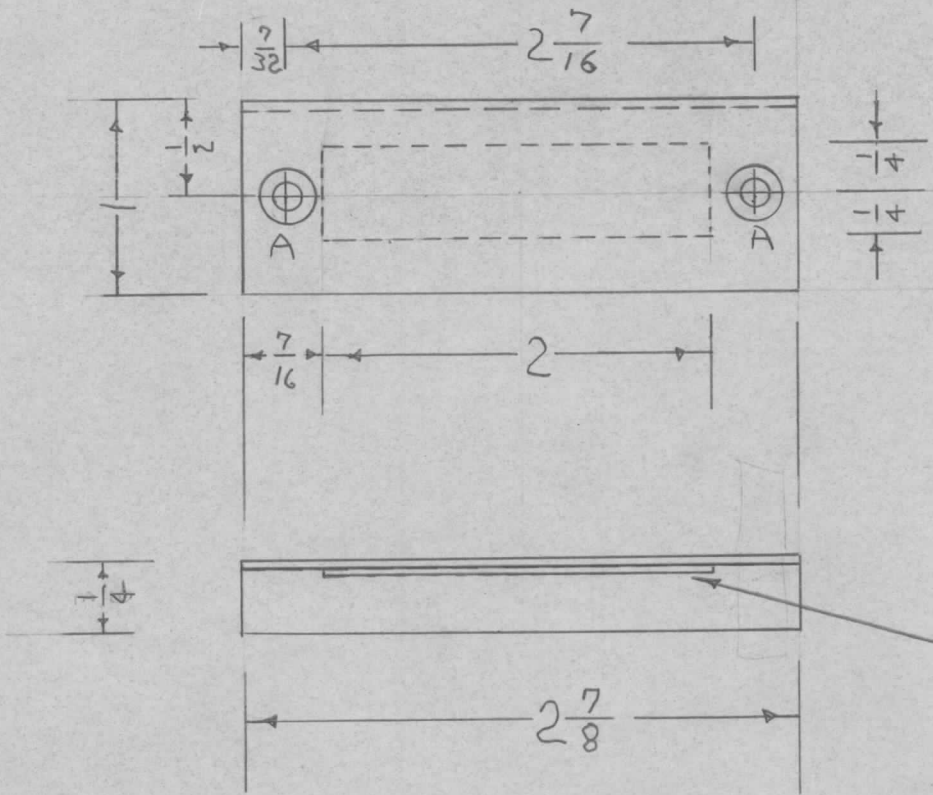


REQ. PER UNIT	USED ON		
	MODEL	ASS'Y. NO.	DATE
1	SBE-1		8-1-57
1	SBE-2		5-5-58
1	SBE-3	A0-101	11-30-59

MS-1122 B



A w DR. & C'SK 2 REQ.
(FOR 6-32 FHS)

CEMENT FISH PAPER AS SHOWN.
(USE 6L-101-1) 6L-101-1 PLI 63010

FISH PAPER

UNLESS OTHERWISE SPECIFIED
DIMENSIONS ARE IN INCHES AND INCLUDE
CHEMICALLY APPLIED OR PLATED FINISHES

DECIMALS	TOLERANCES	FRACTIONS
.X ± .05		± 1/64
.XX ± .01		ANGLES
.XXX ± .005		± 0° 30'

CUT HERE
GUARANTEED
2-66

ISSUE	ITEM	CHANGED FROM	DATE	CH. NO.	DRAFTS	CHECKER	ENG. APP.	REQ. ITEM	PART NO.	DESCRIPTION	SYMBOL	
										THE TECHNICAL MATERIEL CORP. MAMARONECK, NEW YORK SHIELD, OVEN HEATER SBE-1		
									.040			
									STOCK SIZE			
									ALUMINUM			
									MATERIAL			
								11	11			
										DRAWN	CHECKED	FINAL APPROVAL
									S404 IRIDITE			MS-1122 B
									FINISH & SPEC. NO.	ELEC. DES. APP.	MECH. DES. APP.	

DEC. DIM. ±
FRAC. DIM. ±
ANGULAR DIM. ±

MAXIMUM ALLOWABLE TOLERANCES HAVE
BEEN DETERMINED AND ANY DEVIATIONS
WILL BE CAUSE FOR REJECTION.
REMOVE ALL BURRS AND SHARP EDGES

TOLERANCES

SCALE: