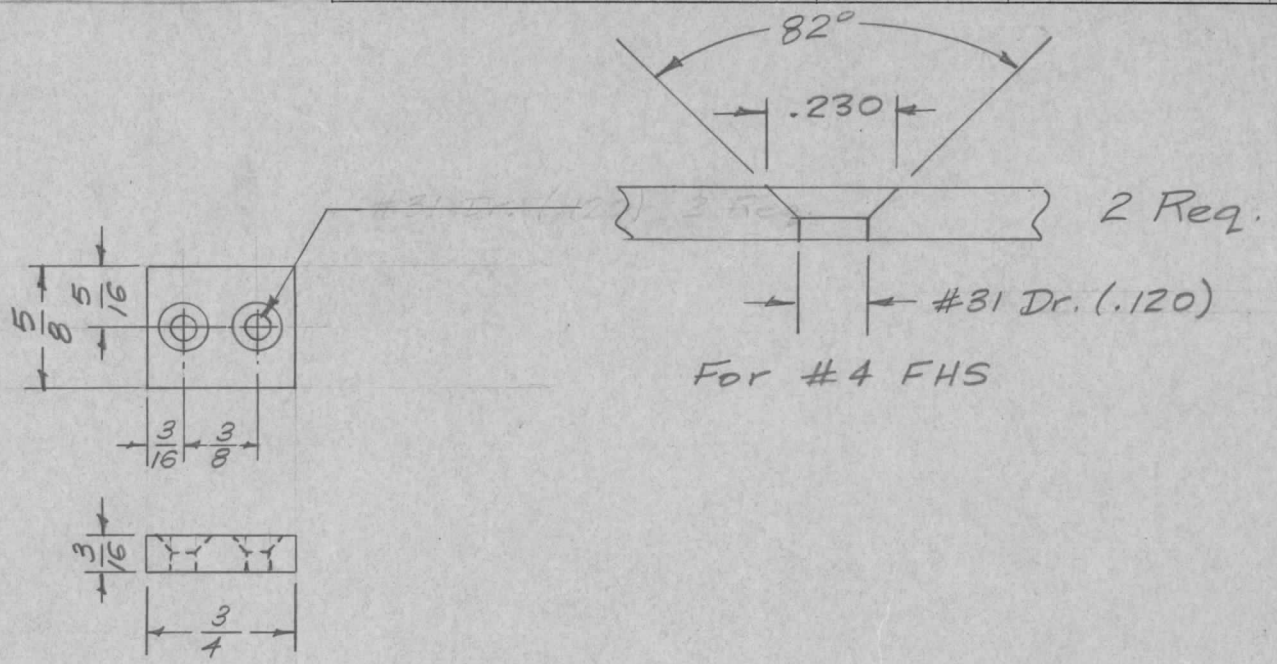


REQ. PER UNIT	MODEL	ASS'Y. NO.	DATE	REQ. PER UNIT	USED ON			MS-1100 B
					MODEL	ASS'Y. NO.	DATE	
1	SBE-2		5-5-58	1	SBE-2		7-17-57	



REQ.	ITEM	PART NO.	DESCRIPTION				SYMBOL	
		3/16 THK.	THE TECHNICAL MATERIEL CORP.					
		STOCK SIZE	MAMARONECK, NEW YORK					
		Aluminum	STOP BLOCK, GEAR					
		MATERIAL	SBE-1					
ISSUE	ITEM	CHANGED FROM	DATE	CH. NO.	DRAFTS	CHECKER	ENG. APP.	
B	1	S404 - IRIDITE WAS 5101 - CAUSTIC DIP	12-8-57	1001	4		EMN	
A	1	c'sunk holes were #31 Dr. Holes	9/20/57	1	16	RWB	AW	
TOLERANCES			SCALE: FULL	1-1004		2024-T3	H	
DEC. DIM. ±			MAXIMUM ALLOWABLE TOLERANCES HAVE BEEN DETERMINED AND ANY DEVIATIONS WILL BE CAUSE FOR REJECTION.				167-17-57	RWB
FRAC. DIM. ± 1/64			REMOVE ALL BURRS AND SHARP EDGES				20	RWB
ANGULAR DIM. ±								
FINISH & SPEC. NO.		ELEC. DES. APP.		MECH. DES. APP.		MS-1100 B		