

4

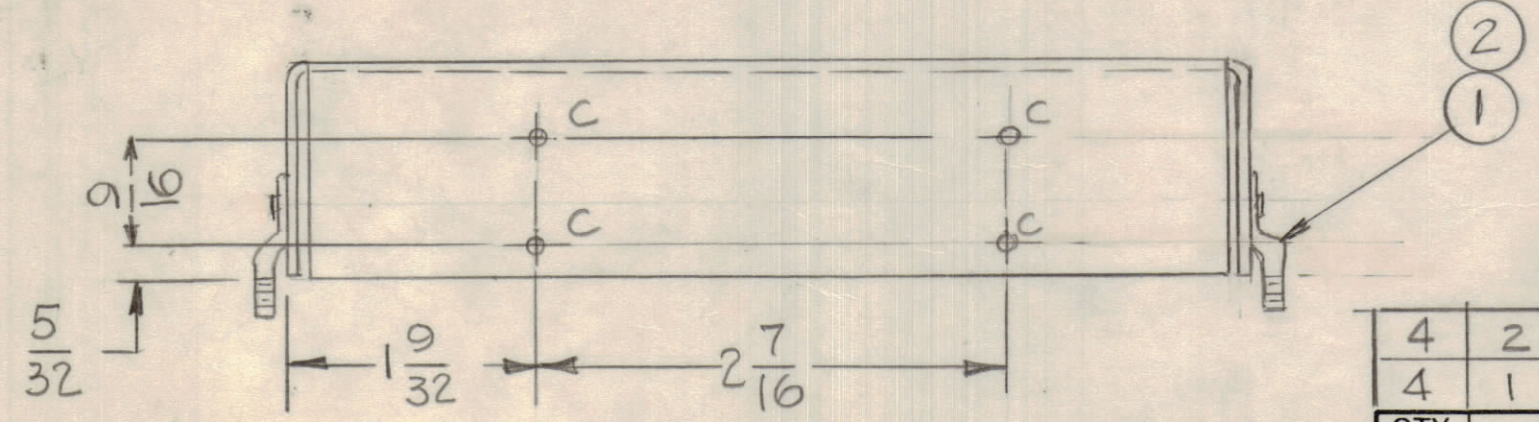
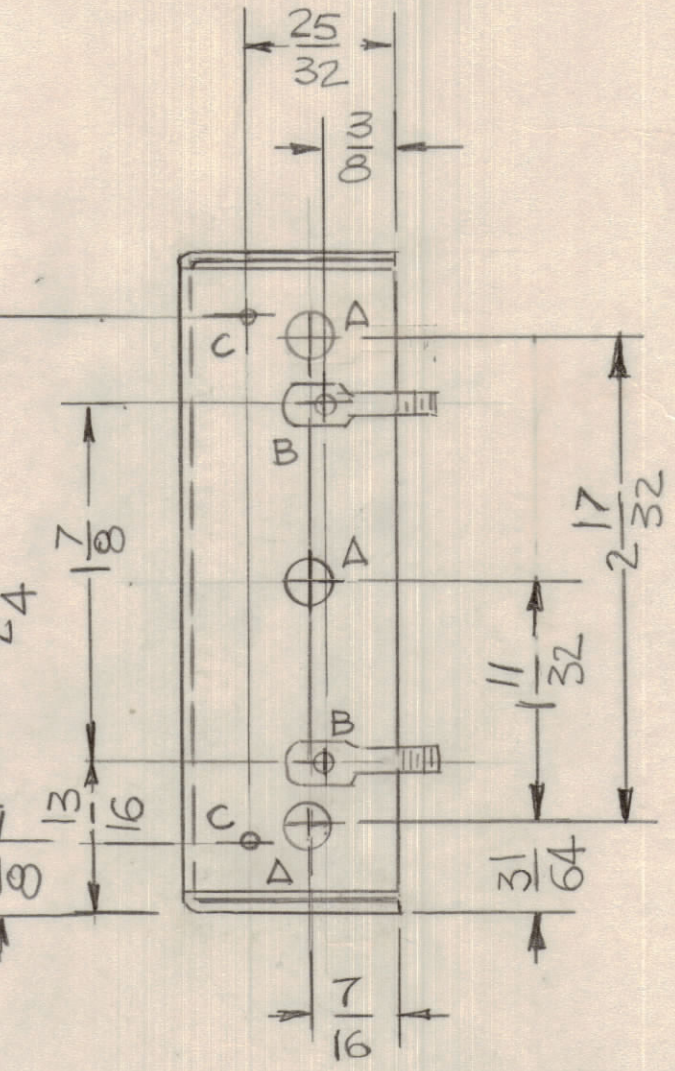
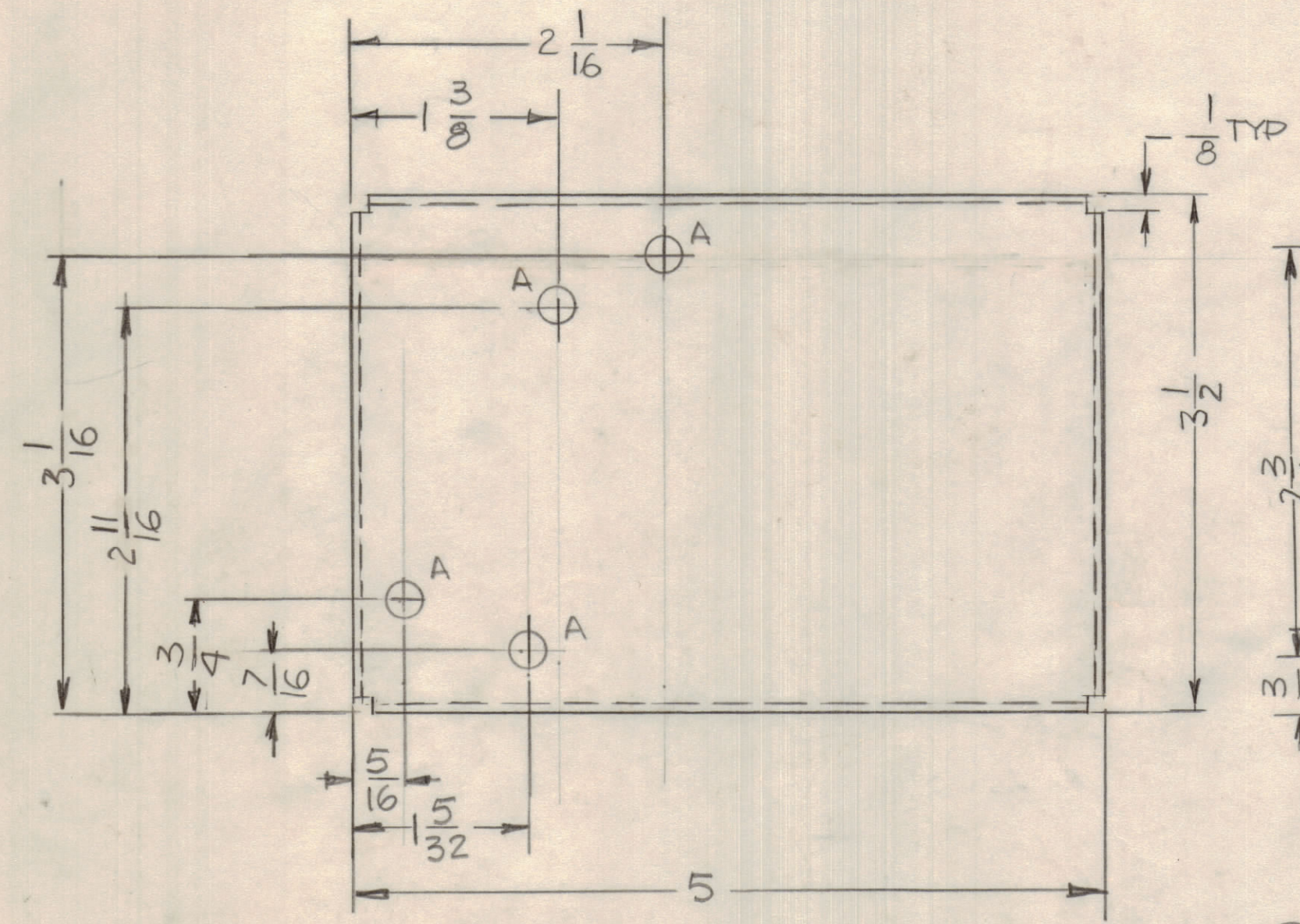
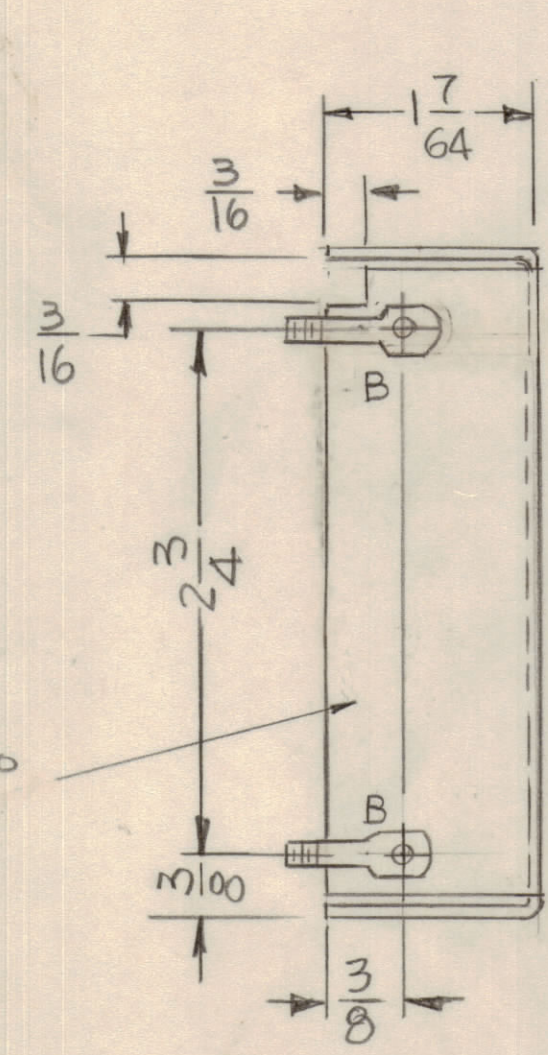
3

2

1

| REVISIONS |     |                      |         |          |       |      |      |
|-----------|-----|----------------------|---------|----------|-------|------|------|
| ZONE      | LTR | DESCRIPTION          | DATE    | E.M.N.NO | DRAFT | CHKD | APPD |
|           | B   | REDRAWN W/OUT CHANGE | 2-21-81 | 21878    | G.D.L |      |      |

HOLE -  
 A - 1/4 DIA - 7  
 B - .128 DIA - 4  
 C - .076 DIA - 6



MARK TMC P/NO  
 1/8 HIGH GOTHIC  
 W/LATEST REV.  
 LETTER.

REF: LD10297

UNLESS OTHERWISE SPECIFIED  
 DIMENSIONS ARE IN INCHES  
 AND INCLUDE CHEMICALLY APPLIED  
 OR PLATED FINISHES

TOLERANCES ON  
 DECIMALS      FRACTIONS  
 .X ± .05      ± 1/64  
 .XX ± .01      ANGLES  
 .XXX ± .005      ± 0° -30'

MATERIAL .051 THK  
 ALY AL. 5052-H32

FINISH S404  
 VEL. IRIDETE

| QTY. REQ. | ITEM | PART NO.    | DESCRIPTION | SYMBOL |
|-----------|------|-------------|-------------|--------|
| 4         | 2    | RI100-12542 | RIVET       |        |
| 4         | 1    | SC107-1     | BOLT, SPADE |        |

LIST OF MATERIAL  
**THE TECHNICAL MATERIEL CORP.**  
 MAMARONECK, NEW YORK

| QTY / UNIT   | MODEL USED ON | ASS'Y NO. |
|--|---------------|-----------|
|  | TTRR-4(E)     |           |
| APPLICATION  |               |           |
| CODE   |               |           |
| NOTICE TO PERSONS RECEIVING THIS DRAWING<br><small>THE TECHNICAL MATERIEL CORPORATION claims proprietary right in the material disclosed hereon. This drawing is issued in confidence for engineering information only and may not be reproduced or used to manufacture anything shown hereon without permission from THE TECHNICAL MATERIEL CORPORATION to the user. This drawing is loaned for mutual assistance and is subject to recall at any time.</small> |               |           |

|                |              |
|----------------|--------------|
| FINAL APPROVAL | DATE         |
| MECH. DES.     | DATE         |
| ELECT. DES.    | DATE         |
| CHECKED        | DATE         |
| DRAWN G.D.L    | DATE 2-21-81 |

| SIZE      | CODE IDENT.NO. | DWG NO. | ISSUE |
|-----------|----------------|---------|-------|
| C         | 82679          | MS10916 | B     |
| SCALE 1:1 | SHEET          |         | OF    |

4

3

2

1