

IF IT IS FOUND DESIRABLE TO CHANGE ANY TOLERANCE OR OTHER DETAIL SPECIFIED ON THIS DRAWING NOTIFY THE PURCHASER PROMPTLY.

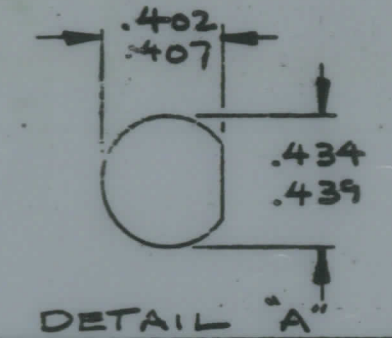
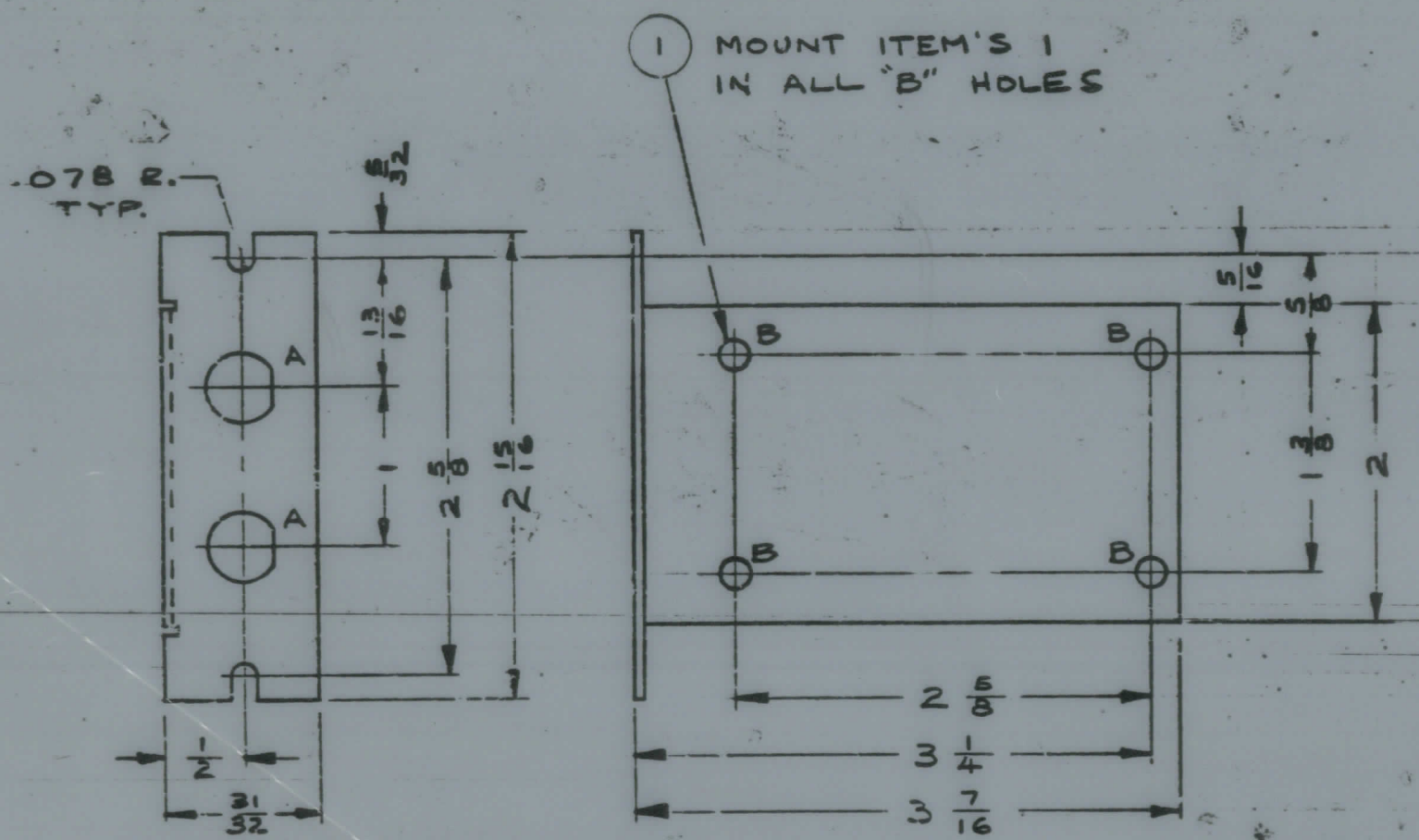
MAXIMUM ALLOWABLE TOLERANCES HAVE BEEN DETERMINED AND DEVIATIONS WILL BE CAUSE FOR REJECTION REMOVE ALL BURRS AND SHARP EDGES.

DIMENSIONS IN INCHES UNLESS OTHERWISE SPECIFIED

ISSUE	ITEM	CHANGED FROM	DATE	BY NO.	DRAFTS	CHECKER	ENG. APP.
Ø		REL TO PROD	1/168		AP		

MS10878 Ø

REQ	ITEM	PART NO.	DESCRIPTION	QTY
4	1	TE164-1	NUT, CLINCH	B



HOLE	DESCRIPTION	REQ'D
A	SEE DETAIL	2
B	.189 DIA.	4

.062 THK		TMC (Canada) LIMITED	
STOCK SIZE		OTTAWA ONTARIO	
ALUM.		CHASSIS, MODULE	
MATERIAL		WEIGHT PER PC	
57S-H34		RPL	
TYPE & TEMPER		DRAWN	
HEAT TREAT SPEC		ELEC DES APP	
S 404 IRIDITE		CHECKED	
FINISH & SPEC NO		FINAL APPROVAL	

TOLERANCES		SCALE
DEC. DIM. ±	.XX = .05	1:1
FRACTIONAL DIM. ±	.XX = .01	
ANGULAR DIM. ±	.XXX = .005	

AX10041	070/68	FEB 7/68
MODEL	PROJECT NO.	DATE