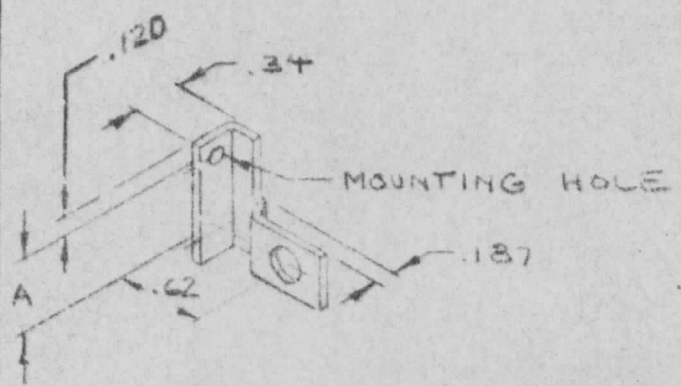


ISSUE	ITEM	CHANGED FROM	DATE	LM. NO.	DRAWN	CHECKED	ENG. APP.	QA	ITEM	PART NO.	DESCRIPTION	SYMBOL
①		REL TO PROD.	SEP 7 1967		RPL							

# STANDARD DRAWING



EXAMPLE

TMC PART NO.      MOUNTING HOLE DIA.      DIMENSION A

MS10859 - 3 - .637

MOUNTING HOLE	
DASH	DESCRIPTION
- 1	NONE
- 2	4-40 THREAD
- 3	.125 DIA HOLE

MFGR TYPE 75750-  
MFGR. S401-254

MODEL		PROJECT NO.		ASSY. NO.		DATE AUG 31/67		STOCK SIZE .062		TMC (Canada) LIMITED OTTAWA ONTARIO		
USED ON						MATERIAL CR STEEL		WEIGHT PER PC.		BRACKET, CONNECTOR		
MAXIMUM ALLOWABLE TOLERANCES HAVE BEEN DETERMINED AND DEVIATIONS WILL BE CAUSE FOR REJECTION REMOVE ALL BURRS AND SHARP EDGES  IF IT IS FOUND DESIRABLE TO CHANGE ANY TOLERANCE OR OTHER DETAIL SPECIFIED ON THIS DRAWING NOTIFY THE PURCHASER PROMPTLY.						TYPE & TEMPER		SINGLE				
						SCALE		DRAWN		ELEC. DES. APP.		MECH. DES. APP.
TOLERANCES						HEAT TREAT SPEC		CHECKED		FINAL APPROVAL		
ALL OTHERS		DEC. DIM. ±		DIMENSIONS IN INCHES		CADMIUM PLATE				MS10859		
		FRAC. DIM. ±		UNLESS OTHERWISE SPECIFIED		FINISH & SPEC. NO.				Ø		
		ANGULAR DIM. ±		SMALL PUNCH COMMERCIAL STOCK								
				SIZES AND MANUFACTURERS TOLERANCES ARE NOT INCLUDED								