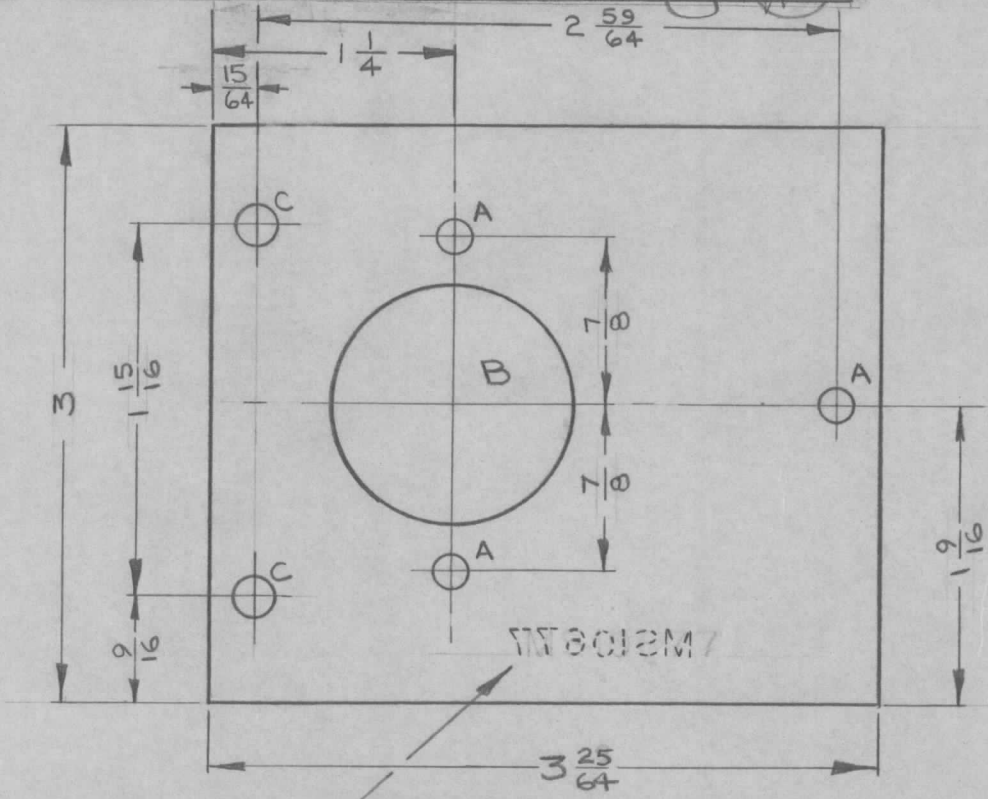


ISSUE	ITEM	CHANGED FROM	DATE	CN. NO.	DRAFTS	CHECKER	ENG. APP.	REQ.	ITEM	PART NO.	DESCRIPTION	SYMBOL
Ø		RELEASED FOR PROD	FEB 28/66		RPL		(RD)					
A		REDIMENSIONED	MAY 10/66	CENJ 009	GAM	Reis	(RD)					



HOLE	DESCRIPTION	REQ'D
A	11/64 DIA.	3
B	1 1/4 DIA.	1
C	13/64 DIA.	2

METAL STAMP TMC PART NO. 1/8 REAR SIDE
HIGH GOthic C/W LATEST REV. LETTER

REF: LD10209

AMC20-20		039/66		FEB.25/66		.064 THK.		TMC (Canada) LIMITED OTTAWA ONTARIO POWER RECEPTACLE MOUNTING PLATE			
MODEL	PROJECT NO.	ASS'Y. NO.	DATE	STOCK SIZE		ALUM					
USED ON						MATERIAL	WEIGHT PER PC.	RPL DRAWN ELEC. DES. APP. MECH. DES. APP.			
MAXIMUM ALLOWABLE TOLERANCES HAVE BEEN DETERMINED AND DEVIATIONS WILL BE CAUSE FOR REJECTION. REMOVE ALL BURRS AND SHARP EDGES						575 H32					
IF IT IS FOUND DESIRABLE TO CHANGE ANY TOLERANCE OR OTHER DETAIL SPECIFIED ON THIS DRAWING NOTIFY THE PURCHASER PROMPTLY.						TYPE & TEMPER		CHECKED FINAL APPROVAL			
TOLERANCES						SCALE 1:1					
DEC. DIM. ± FRAC. DIM. ± 1/64 ANGULAR DIM. ±						HEAT TREAT. SPEC.		MS10677 A			
DIMENSIONS IN INCHES UNLESS OTHERWISE SPECIFIED DRILL, PUNCH, COMMERCIAL STOCK SIZES AND MANUFACTURERS TOLERANCES ARE NOT INCLUDED.						S404 YELLOW IRIDITE					
ALL OTHERS						FINISH & SPEC. NO.					