

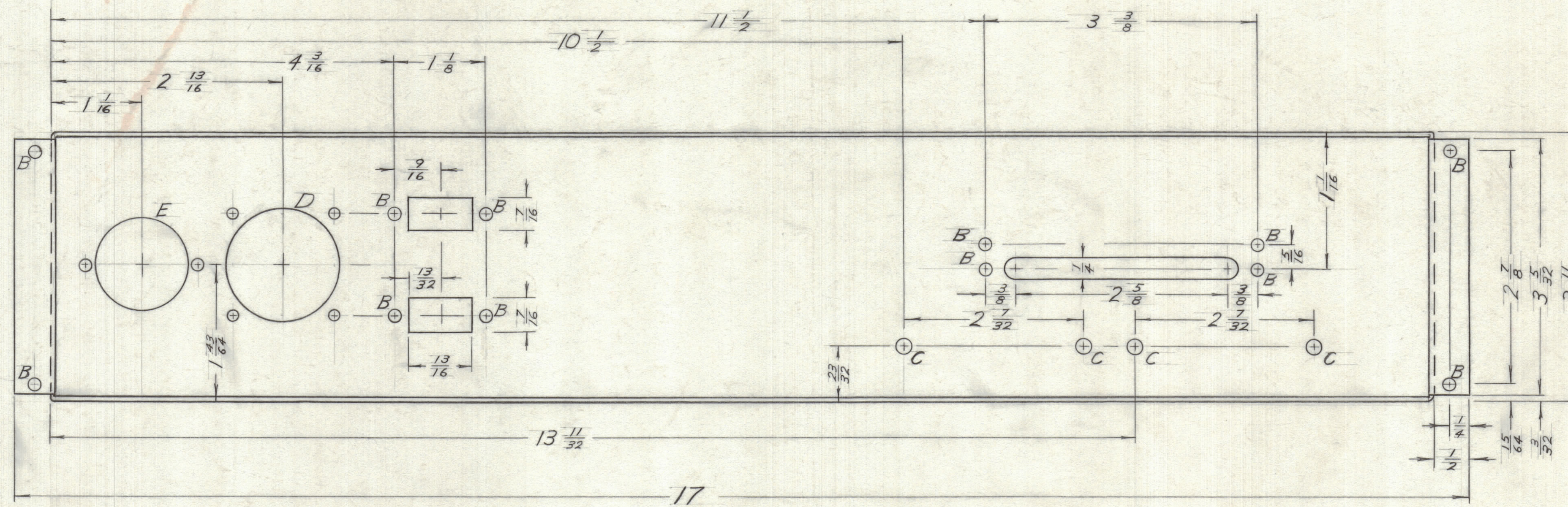
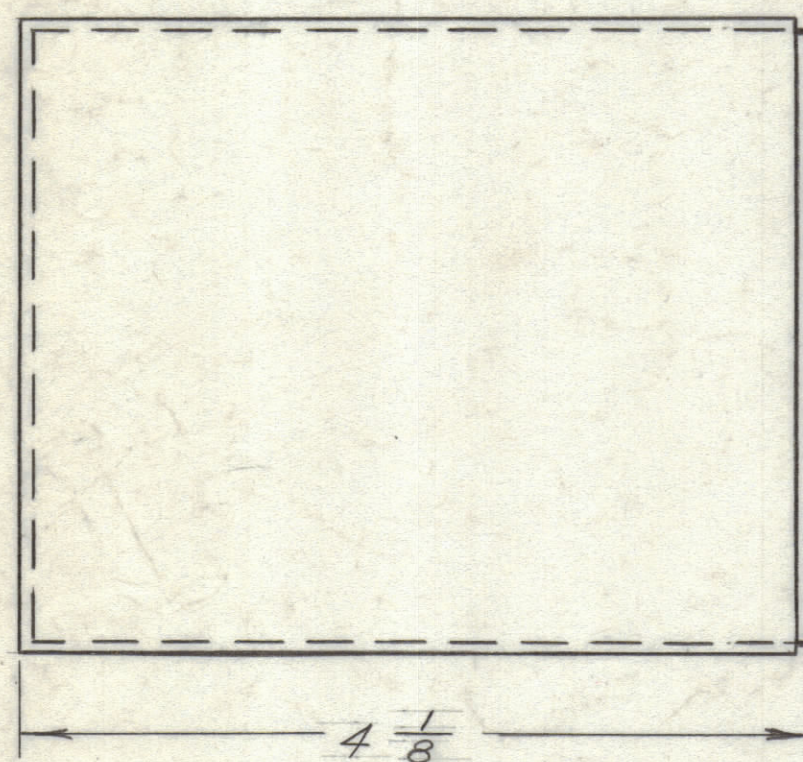
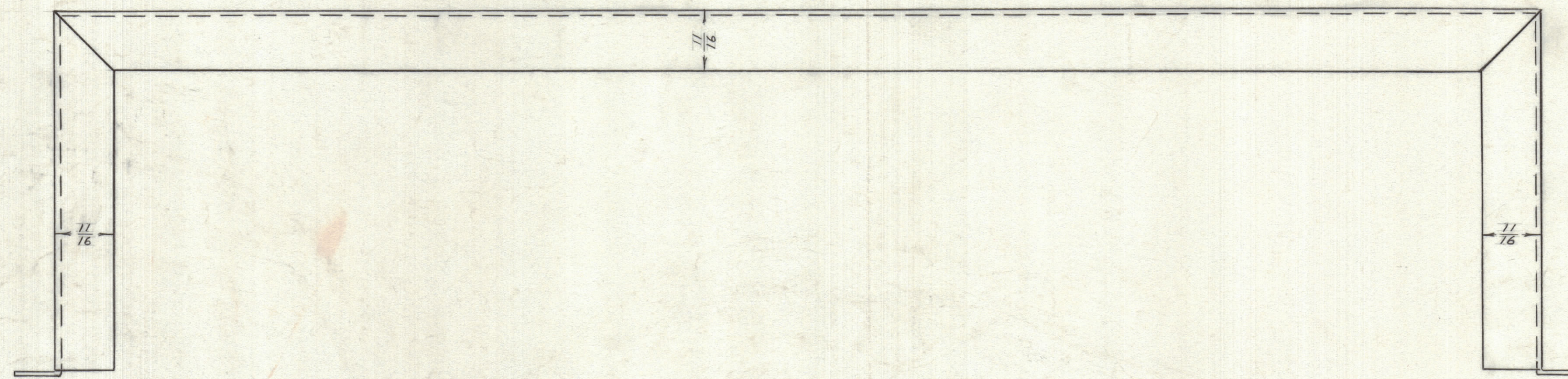
IF IT IS FOUND DESIRABLE TO CHANGE ANY TOLERANCE OR OTHER DETAIL SPECIFIED ON THIS DRAWING NOTIFY THE PURCHASER PROMPTLY.

MAXIMUM ALLOWABLE TOLERANCES HAVE BEEN DETERMINED AND DEVIATIONS WILL BE CAUSE FOR REJECTION. REMOVE ALL BURRS AND SHARP EDGES.

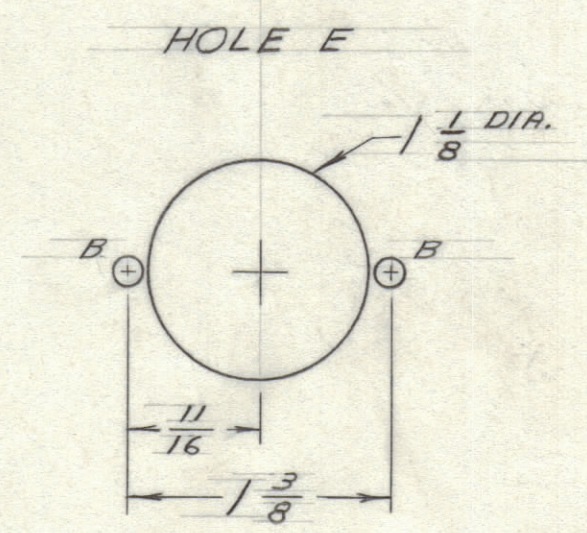
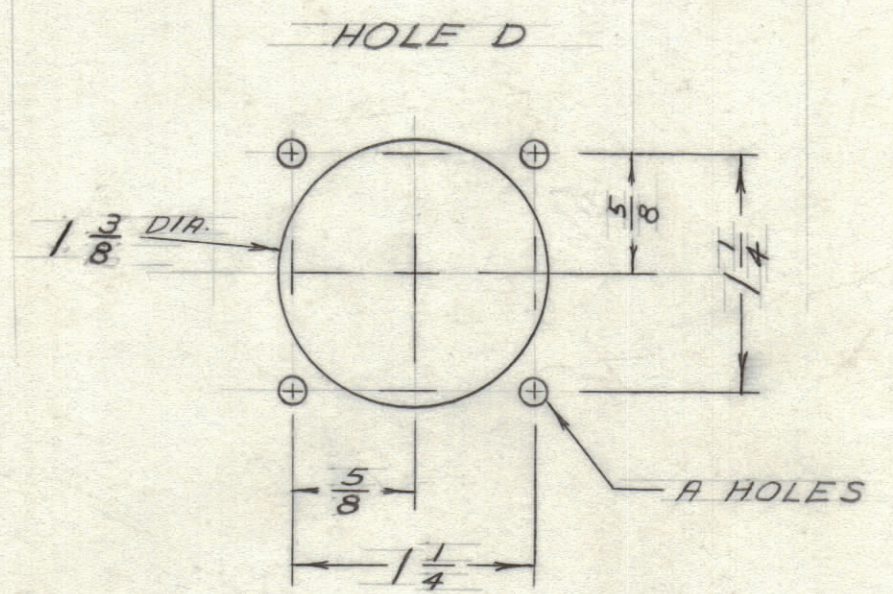
DIMENSIONS IN INCHES UNLESS OTHERWISE SPECIFIED

ISSUE	ITEM	CHANGED FROM	DATE	CN. NO.	DRAFTS	CHECKER	ENG. APP.

REQ.	ITEM	PART NO.	DESCRIPTION	SYMBOL



HOLE	DESCRIPTION	REQ.
A	1/8 DIA.	4
B	1/16 DIA.	14
C	1/32 DIA.	4
D	SEE DETAIL	1
E	SEE DETAIL	1



REF: LD10175

.064 THK		TMC (Canada) LIMITED	
STOCK SIZE		OTTAWA ONTARIO	
ALUM		CHASSIS	
MATERIAL	WEIGHT PER PC	RDES.	
5052 H32		DRAWN	ELEC. DES. APP.
TYPE & TEMPER		CHECKED	MECH. DES. APP.
HEAT TREAT SPEC.		FINAL APPROVAL	
5404 YELLOW IRIDITE		MS10568	
FINISH & SPEC. NO.			

A.10348	PROJECT NO.	ASS'Y. NO.	24-4-64	DATE

TOLERANCES

ALL OTHERS	DEC. DIM. ±	FRAC. DIM. ±	ANGULAR DIM. ±	SCALE:	DRILL, BUNCH, COMMERCIAL STOCK SIZES AND MANUFACTURERS TOLERANCES ARE NOT INCLUDED.