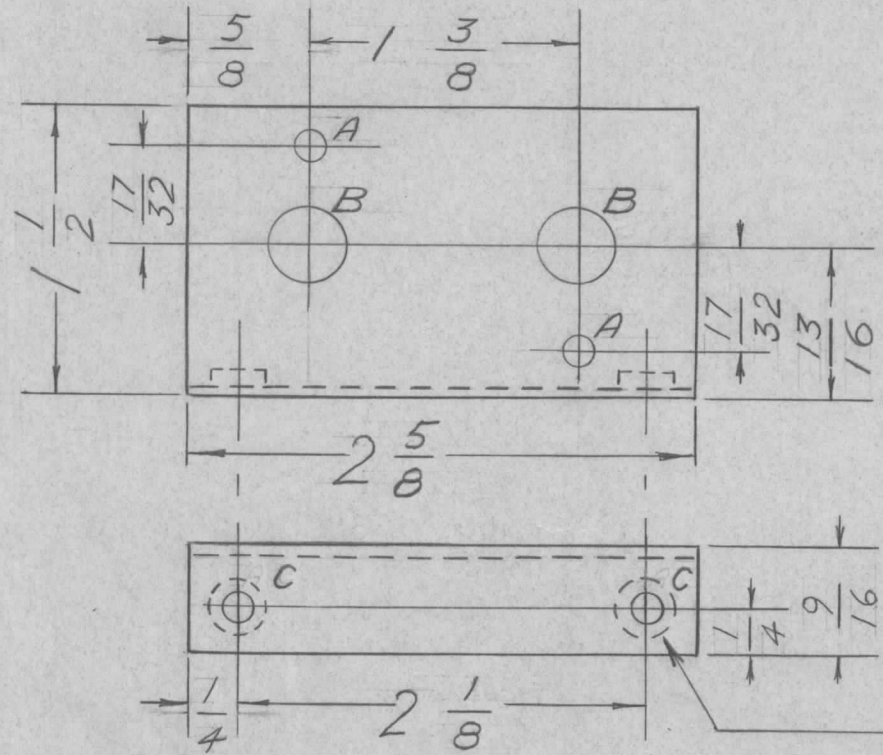


MS-10556

ISSUE	ITEM	CHANGED FROM	DATE	CN. NO.	DRAFTS	CHECKER	ENG. APP.	REQ.	ITEM	PART NO.	DESCRIPTION	SYMBOL
	2								1	NT-129-632-4	NUT, SWAGE TYPE	C



HOLE A - 9/64 DIA.  
 HOLE B - 3/8 DIA.  
 HOLE C - .194-.191 DIA

MOUNT ITEM 1 IN C HOLES  
 AS SHOWN-AFTER FINISHING

MID 3		20-6-63		.064		TMC (Canada) LIMITED	
MODEL	PROJECT NO.	ASS'Y. NO.	DATE	STOCK SIZE		OTTAWA	ONTARIO
USED ON				ALUMINUM		POTENTIOMETER MTG. BKT.	
MAXIMUM ALLOWABLE TOLERANCES HAVE BEEN DETERMINED AND DEVIATIONS WILL BE CAUSE FOR REJECTION. REMOVE ALL BURRS AND SHARP EDGES		IF IT IS FOUND DESIRABLE TO CHANGE ANY TOLERANCE OR OTHER DETAIL SPECIFIED ON THIS DRAWING NOTIFY THE PURCHASER PROMPTLY.		MATERIAL	WEIGHT PER PC.	MID 3	
				5052-H32		RD	
				TYPE & TEMPER		ELEC. DES. APP. <i>L</i>	
TOLERANCES		SCALE		HEAT TREAT. SPEC.		MECH. DES. APP.	
DEC. DIM. ±		DIMENSIONS IN INCHES UNLESS OTHERWISE SPECIFIED		S404		RD	
FRAC. DIM. ± 1/64		DRILL, PUNCH, COMMERCIAL STOCK SIZES AND MANUFACTURERS TOLERANCES ARE NOT INCLUDED.		YELLOW IRIDITE		MECH. DES. APP. <i>Any</i>	
ANGULAR DIM. ±				FINISH & SPEC. NO.		FINAL APPROVAL	
ALL OTHERS						MS-10556	