

IF IT IS FOUND DESIRABLE TO CHANGE ANY TOLERANCE OR OTHER DETAIL SPECIFIED ON THIS DRAWING NOTIFY THE PURCHASER PROMPTLY.

MAXIMUM ALLOWABLE TOLERANCES HAVE BEEN DETERMINED AND DEVIATIONS WILL BE CAUSE FOR REJECTION. REMOVE ALL BURRS AND SHARP EDGES.

ISSUE ITEM CHANGED FROM DATE CN. NO. DRAFTS CHECKER ENG. APP.

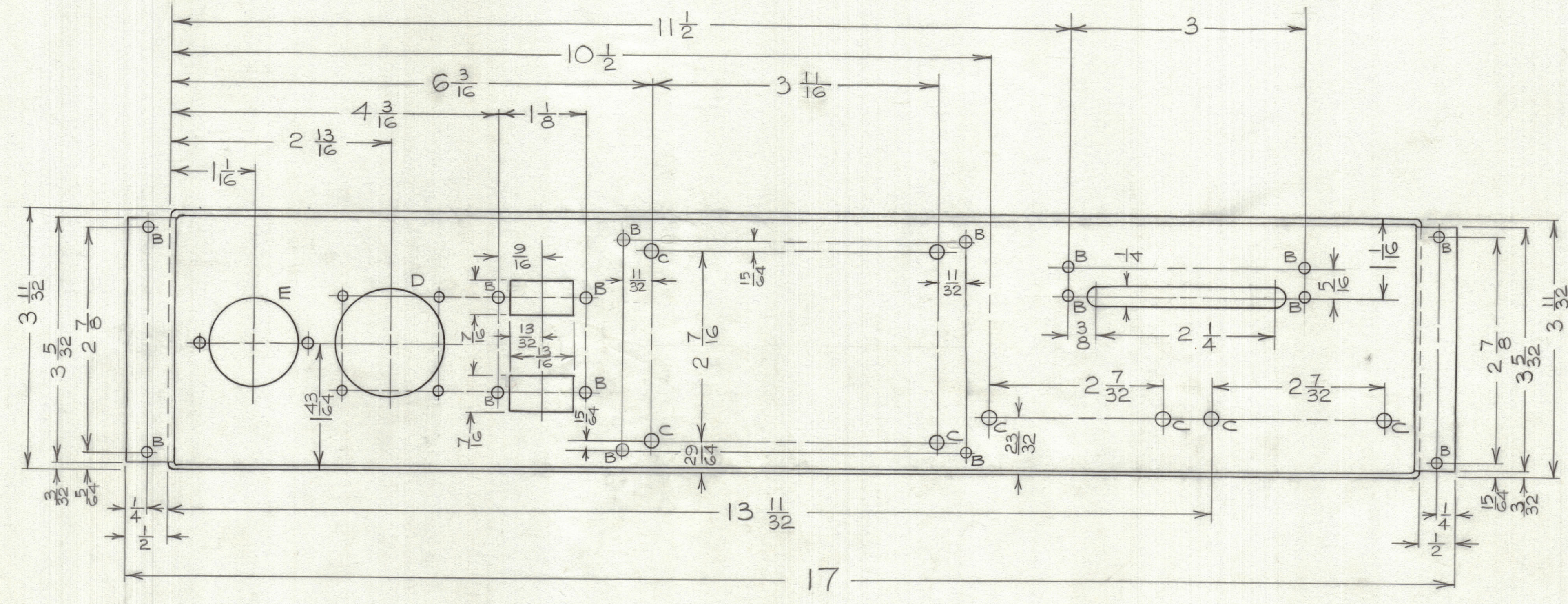
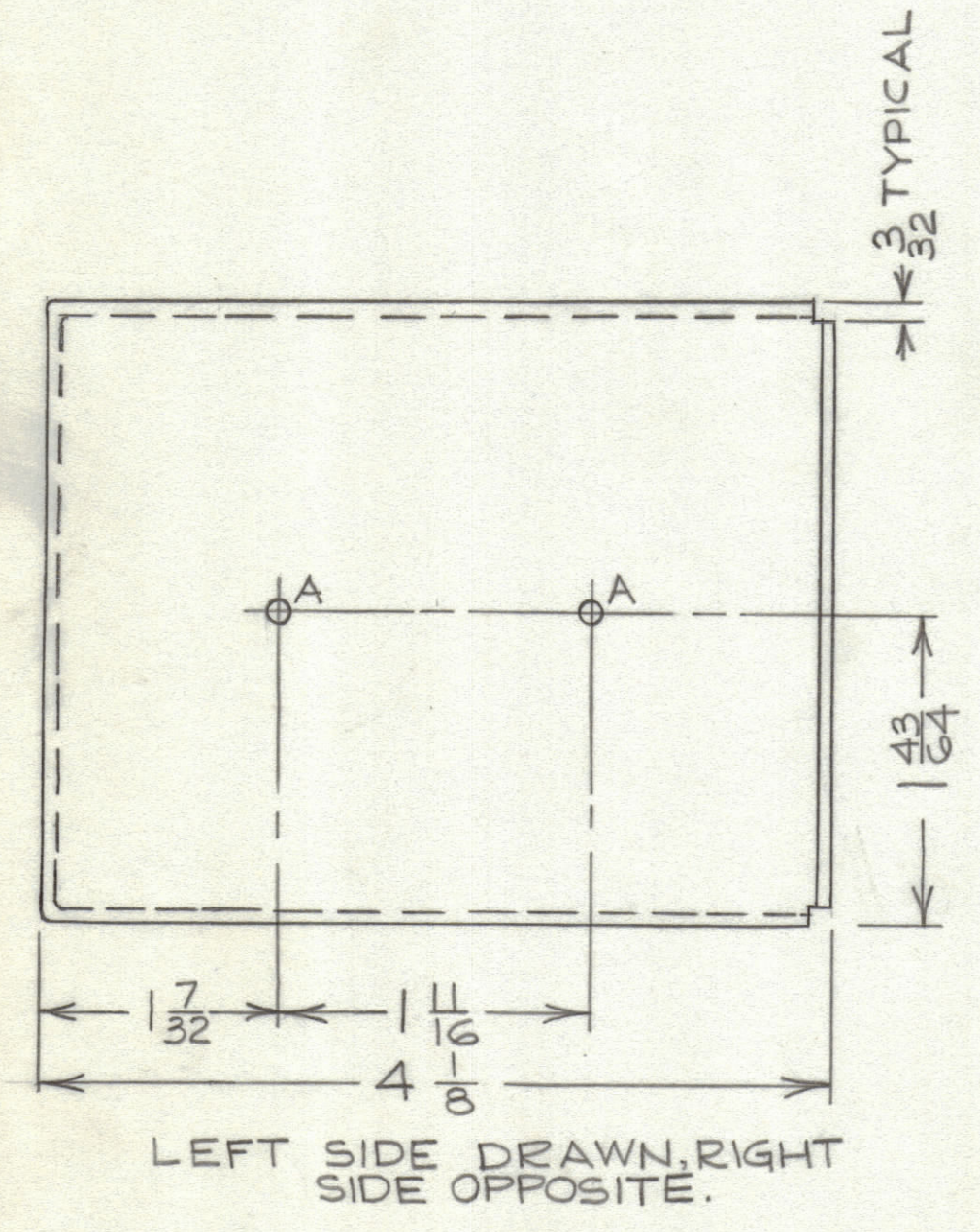
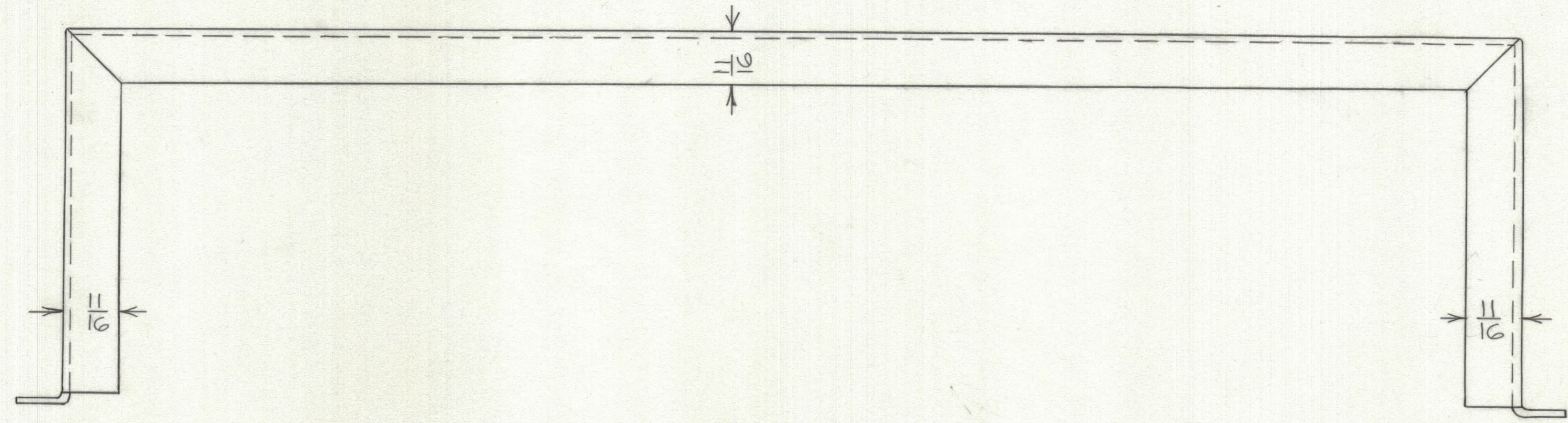
DIMENSIONS IN INCHES UNLESS OTHERWISE SPECIFIED

REQ.	ITEM	PART NO.	DESCRIPTION	SYMBOL
------	------	----------	-------------	--------

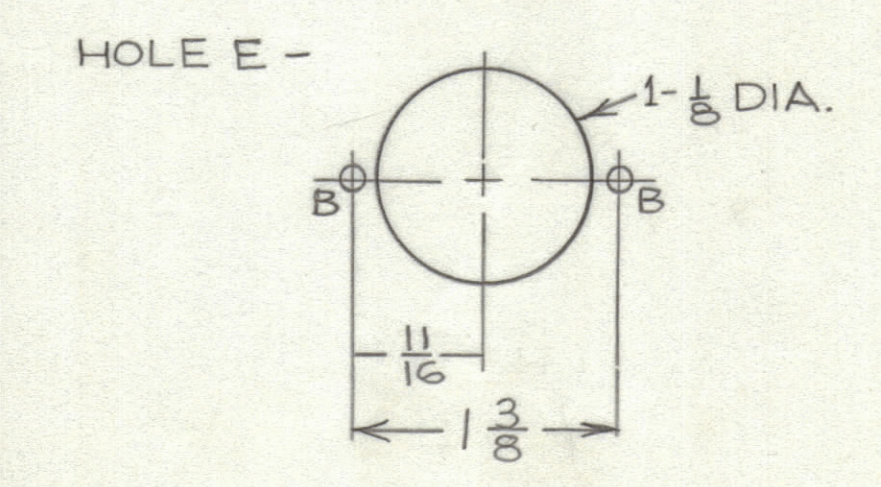
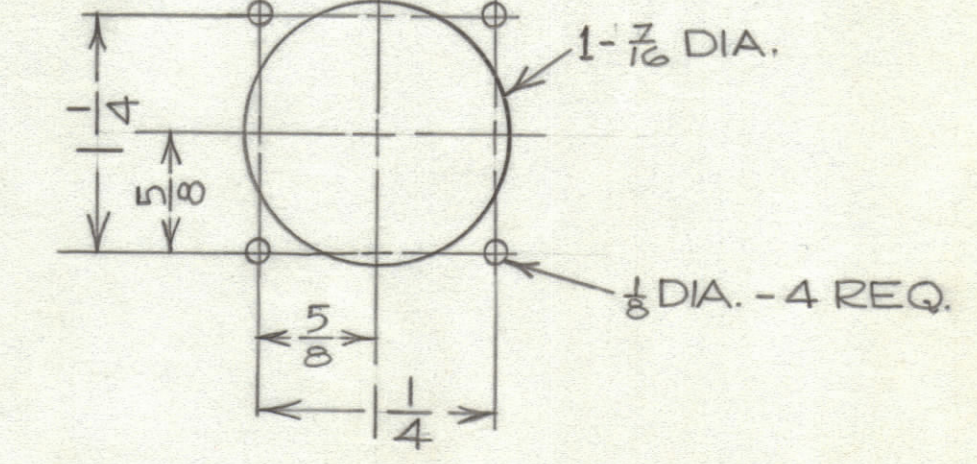
**NOTICE TO PERSONS RECEIVING THIS DRAWING**

THE TECHNICAL MATERIEL CORPORATION claims proprietary right in the material disclosed hereon. This drawing is issued in confidence for engineering information only and may not be reproduced or used to manufacture anything shown hereon without permission from THE TECHNICAL MATERIEL CORPORATION to the user. This drawing is loaned for mutual assistance and is subject to recall at any time.

Property of:  
THE TECHNICAL MATERIEL CORPORATION  
MAMARONECK, NEW YORK



HOLE A - 1/8 DIA. ON RIGHT SIDE ONLY  
HOLE B - 9/64 DIA.  
HOLE C - 11/64 DIA.  
HOLE D -



REF: LD 10164

TOLERANCES		SCALE: 1:1
ALL DEC. DIM. ±	DRILL, PUNCH, COMMERCIAL STOCK SIZES AND MANUFACTURERS TOLERANCES ARE NOT INCLUDED.	
OTHERS FRAC. DIM. ±		
ANGULAR DIM. ±		

MODEL	PROJECT NO. A10332	ASSY. NO.	DATE Feb 2, 1962
USED ON		FINISH & SPEC NO. S101 & S404	
STOCK SIZE .064 TK.		TMC(Canada)LIMITED OTTAWA ONTARIO	
MATERIAL ALUM. 0.75 LB		CHASSIS	
TYPE & TEMPER 57SH 32		JPC	
HEAT TREAT SPEC		DRAWN JPC	
CHECKED		ENG. DES. APP. KA	
MECH. DES. APP.		FINAL APPROVAL MS10546	