

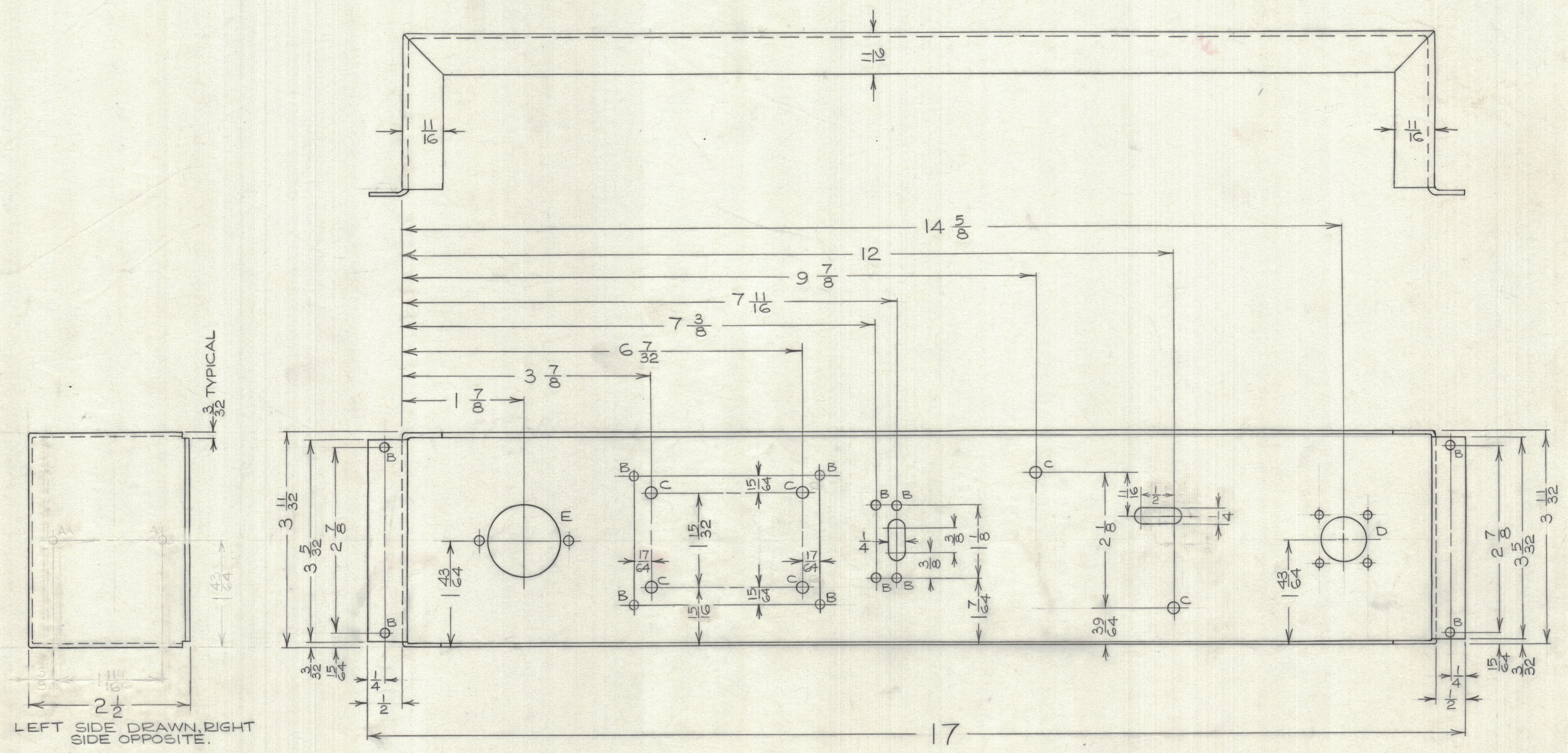
IF IT IS FOUND DESIRABLE TO CHANGE ANY TOLERANCE OR OTHER DETAIL SPECIFIED ON THIS DRAWING NOTIFY THE PURCHASER PROMPTLY.		DIMENSIONS IN INCHES UNLESS OTHERWISE SPECIFIED					
MAXIMUM ALLOWABLE TOLERANCES HAVE BEEN DETERMINED AND DEVIATIONS WILL BE CAUSE FOR REJECTION. REMOVE ALL BURRS AND SHARP EDGES.							
ISSUE	ITEM	CHANGED FROM	DATE	CN. NO.	DRAFTS	CHECKER	ENG. APP.
A	1	(2) "A" HOLES DELETED	7-16-62	11P85			NNK

REQ.	ITEM	PART NO.	DESCRIPTION	SYMBOL
------	------	----------	-------------	--------

NOTICE TO PERSONS RECEIVING THIS DRAWING

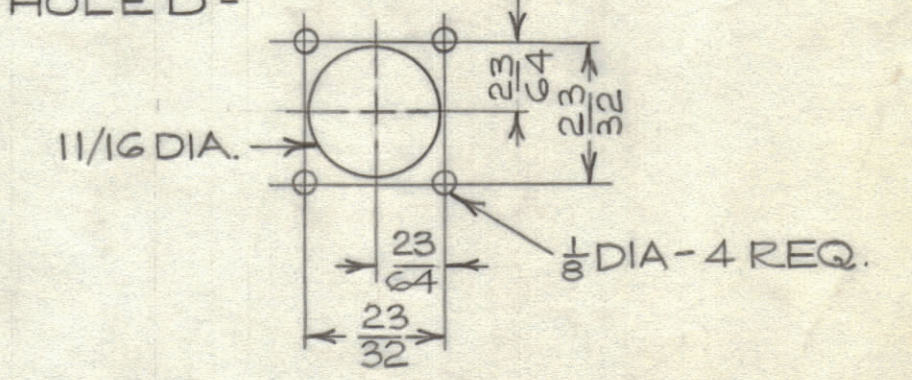
THE TECHNICAL MATERIEL CORPORATION claims proprietary right in the material disclosed hereon. This drawing is issued in confidence for engineering information only and may not be reproduced or used to manufacture anything shown hereon without permission from THE TECHNICAL MATERIEL CORPORATION to the user. This drawing is loaned for mutual assistance and is subject to recall at any time.

Property of:
THE TECHNICAL MATERIEL CORPORATION
 MAMARONECK, NEW YORK

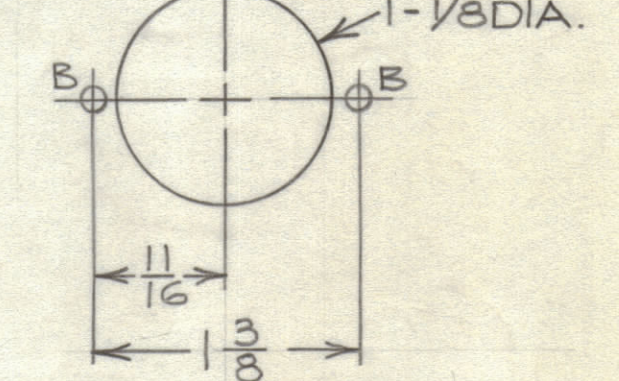


HOLE A - 1/8 DIA. ON RIGHT SIDE

HOLE B - 9/64 DIA.
 HOLE C - 11/64 DIA.
 HOLE D -



HOLE E -



LEFT SIDE DRAWN, RIGHT SIDE OPPOSITE.

REF: LD10162

TOLERANCES		SCALE: 1:1
ALL	DEC. DIM. ±	DRILL, PUNCH, COMMERCIAL STOCK
OTHERS	FRAC. DIM. ±	SIZES AND MANUFACTURERS
	ANGULAR DIM. ±	TOLERANCES ARE NOT INCLUDED.

.064 TK		TMC (Canada) LIMITED	
STOCK SIZE		OTTAWA ONTARIO	
ALUM.	0.63 LB	CHASSIS	
MATERIAL	WEIGHT PER PC		
575H32			
TYPE & TEMPER	JPC	KH	
HEAT TREAT SPEC.	DRAWN	ELEC. DES. APP.	MECH. DES. APP.
	Checked		
MODEL	PROJECT NO.	ASS'Y. NO.	DATE
		A10331	Jan 25/62
FINISH & SPEC. NO.		FINAL APPROVAL	
		MS10544 A	