

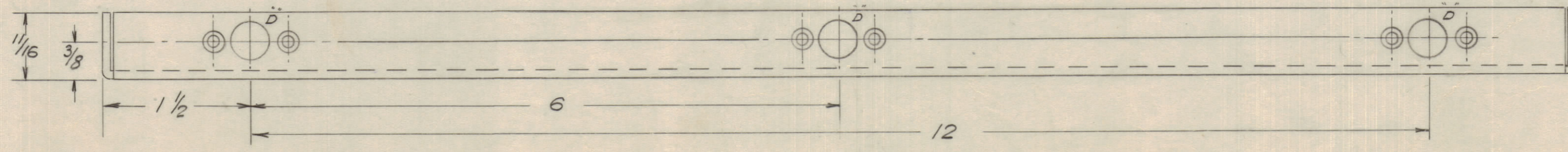
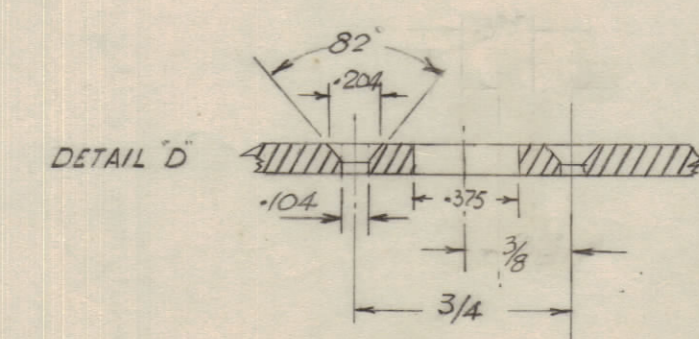
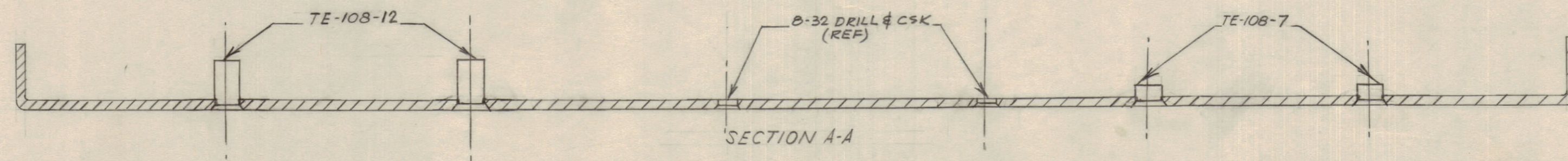
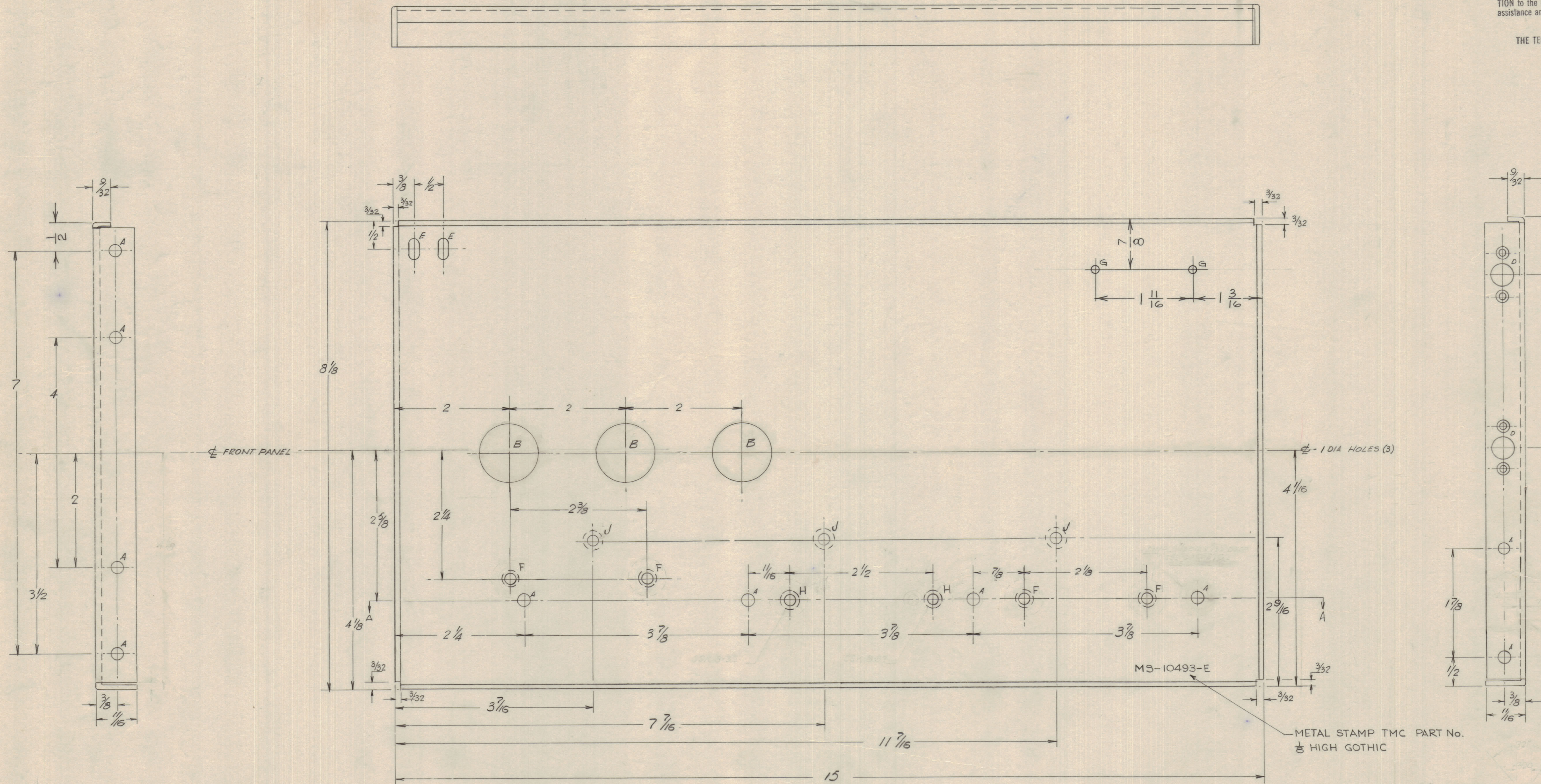
IF IT IS FOUND DESIRABLE TO CHANGE ANY TOLERANCE OR OTHER DETAIL SPECIFIED ON THIS DRAWING NOTIFY THE PURCHASER PROMPTLY.

MAXIMUM ALLOWABLE TOLERANCES HAVE BEEN DETERMINED AND DEVIATIONS WILL BE CAUSE FOR REJECTION. REMOVE ALL BURRS AND SHARP EDGES

NOTICE TO PERSONS RECEIVING THIS DRAWING

THE TECHNICAL MATERIEL CORPORATION claims proprietary right in the material disclosed hereon. This drawing is issued in confidence for engineering information only and may not be reproduced or used to manufacture anything shown hereon without permission from THE TECHNICAL MATERIEL CORPORATION to the user. This drawing is loaned for mutual assistance and is subject to recall at any time.

Property of:
THE TECHNICAL MATERIEL CORPORATION
MAMARONECK, NEW YORK



HOLE DATA	
A	13/64 DIA.
B	1 DIA.
E	1/16 DIA X 1/32 SLOT
F	1/32 DIA. # CSK 1/32 DEEP, B2°
G	1/8 DIA.
H	8-32 DRILL # CSK B2°, .337 D.
J	10-32 DRILL # CSK B2°, .396 D.

ISSUE	ITEM	CHANGED FROM	DATE	CN. NO.	DRAFTS	CHECKER	ENG. APP.
4	E	ADDED CSK TO F HOLES	4/23/63	8845			
3		TE-108-12 WAS TE-108-13					
2		FINISH WAS 3101 & 3404					
1		6 F HOLES WERE H					
4	D	D.O. ERRORS CORRECTED	JULY 18/61	4	JPC		
3	C	G HOLES ADDED	APRIL 12/61	3	JPC		
2	B	DWG CORRECTED	22 1951	2	WHD		
1	A	D.O. ERROR	1951	1	WHD		
		8-32 CSK WAS TE-108-20	DEC 1950				
		MS-10493 WAS MS-1264E					

TOLERANCES: ALL DEC. DIM. ± 1/16; ALL OTHERS FRAC. DIM. ± 1/64; ANGULAR DIM. ±

DRILL, PUNCH, COMMERCIAL STOCK SIZES AND MANUFACTURERS TOLERANCES ARE NOT INCLUDED.

SCALE: 1:1

PSP-350	PAL-350	7 DEC 1960
MODEL	PROJECT NO.	DATE

REQ. ITEM	PART NO.	DESCRIPTION	SYMBOL
	081	TMC (Canada) LIMITED	
		OTTAWA ONTARIO	
		SIDE PLATE LEFT	
		PSP-350	
		ALUM ALLOY	
		3052-H32	
		TYPE & TEMPER	
		HEAT TREAT. SPEC.	
		S404 YELLOW IRIDITE	
		FINISH & SPEC. NO.	

MS-10493 E