

IF IT IS FOUND DESIRABLE TO CHANGE ANY TOLERANCE OR OTHER DETAIL SPECIFIED ON THIS DRAWING NOTIFY THE PURCHASER PROMPTLY.

MS10458

MAXIMUM ALLOWABLE TOLERANCES HAVE BEEN DETERMINED AND DEVIATIONS WILL BE CAUSE FOR REJECTION. REMOVE ALL BURRS AND SHARP EDGES

USED ON

MODEL

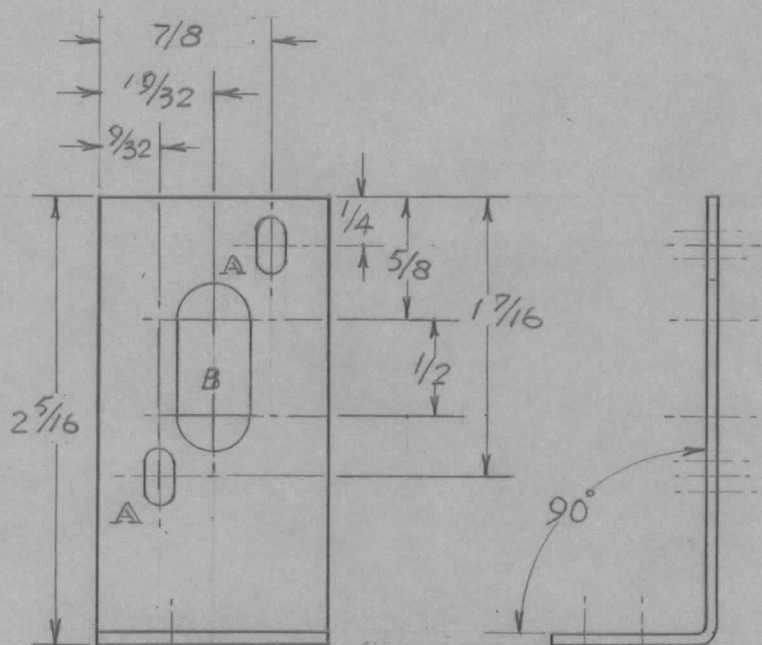
PROJECT NO.

ASS'Y. NO.

DATE

SBE-2 MOD CAN-1

24-5-'60



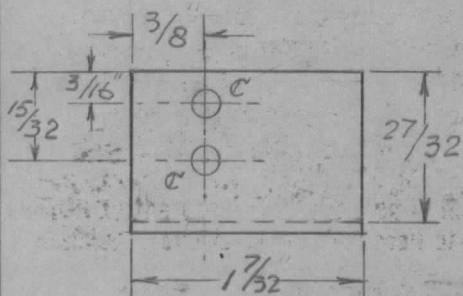
HOLE A = 9/64 x 9/32  
 HOLE B = 3/8 x 7/8  
 HOLE C = 9/64 DIA.

NOTICE TO PERSONS RECEIVING THIS DRAWING

THE TECHNICAL MATERIEL CORPORATION claims proprietary right in the material disclosed hereon. This drawing is issued in confidence for engineering information only and may not be reproduced or used to manufacture anything shown hereon without permission from THE TECHNICAL MATERIEL CORPORATION to the user. This drawing is loaned for mutual assistance and is subject to recall at any time.

Property of:

THE TECHNICAL MATERIEL CORPORATION  
 MAMARONECK, NEW YORK



1	1	MS10458		
REQ.	ITEM	PART NO.	DESCRIPTION	SYMBOL
			-062 THK.	
		STOCK SIZE	TMC (Canada) LIMITED	
			OTTAWA ONTARIO	
		ALUM	BRACKET-MOUNTING FILTER.	
		MATERIAL	WEIGHT PER PC.	
		TYPE & TEMPER	W.H. DAVISON	
			DRAWN	ELEC. DES. APP. MECH. DES. APP.
		HEAT TREAT. SPEC.		
		ETCH & IRIDITE		
		FINISH & SPEC. NO.		
			CHECKED	FINAL APPROVAL
				MS10458

ISSUE	ITEM	CHANGED FROM	DATE	CN. NO.	DRAFTS	CHECKER	ENG. APP.
TOLERANCES			SCALE 1:1				
ALL OTHERS	DEC. DIM. ± FRAC. DIM. ± 1/64 ANGULAR DIM. ±		DIMENSIONS IN INCHES UNLESS OTHERWISE SPECIFIED DRILL, PUNCH, COMMERCIAL STOCK SIZES AND MANUFACTURERS TOLERANCES ARE NOT INCLUDED.				