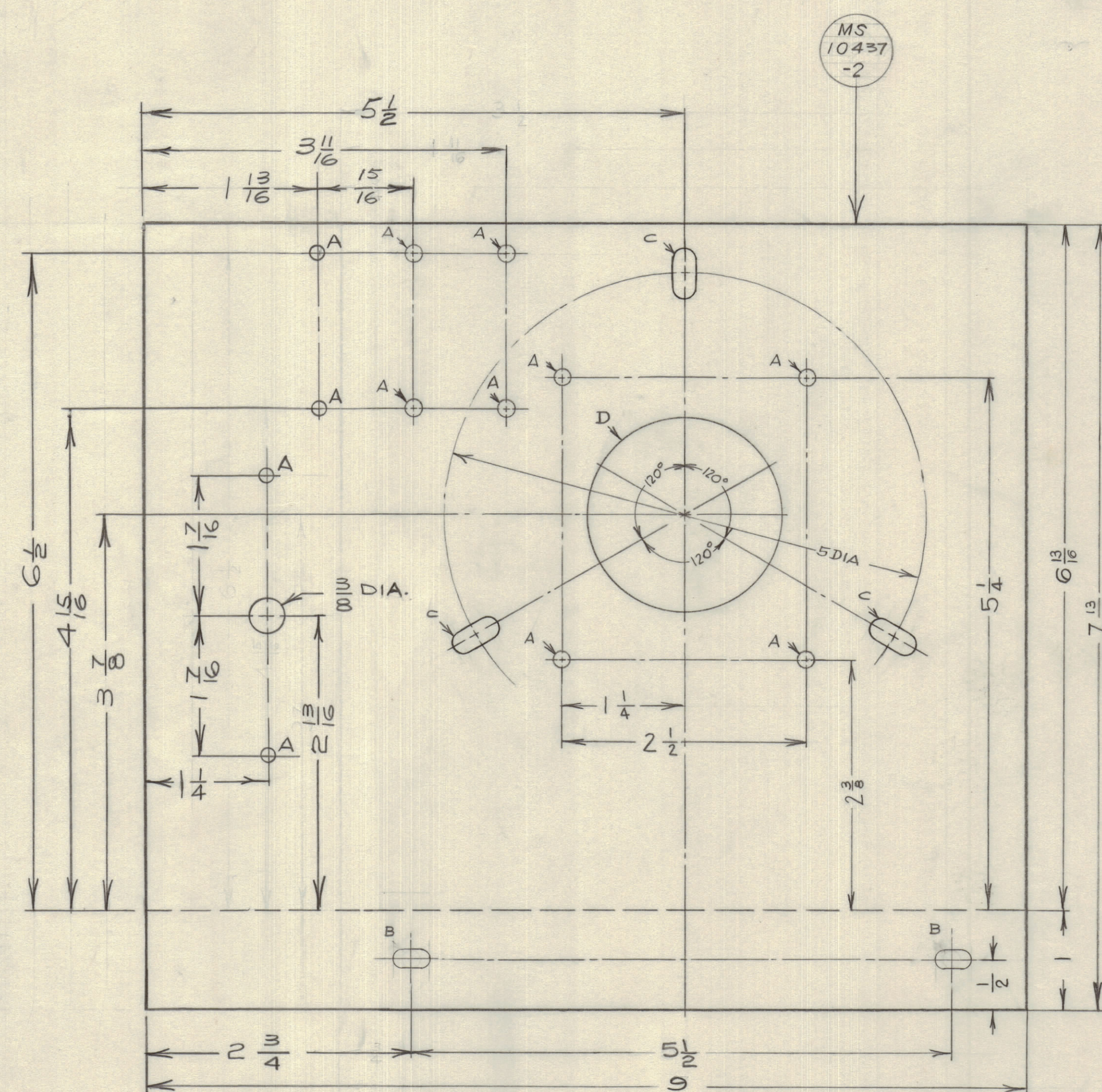
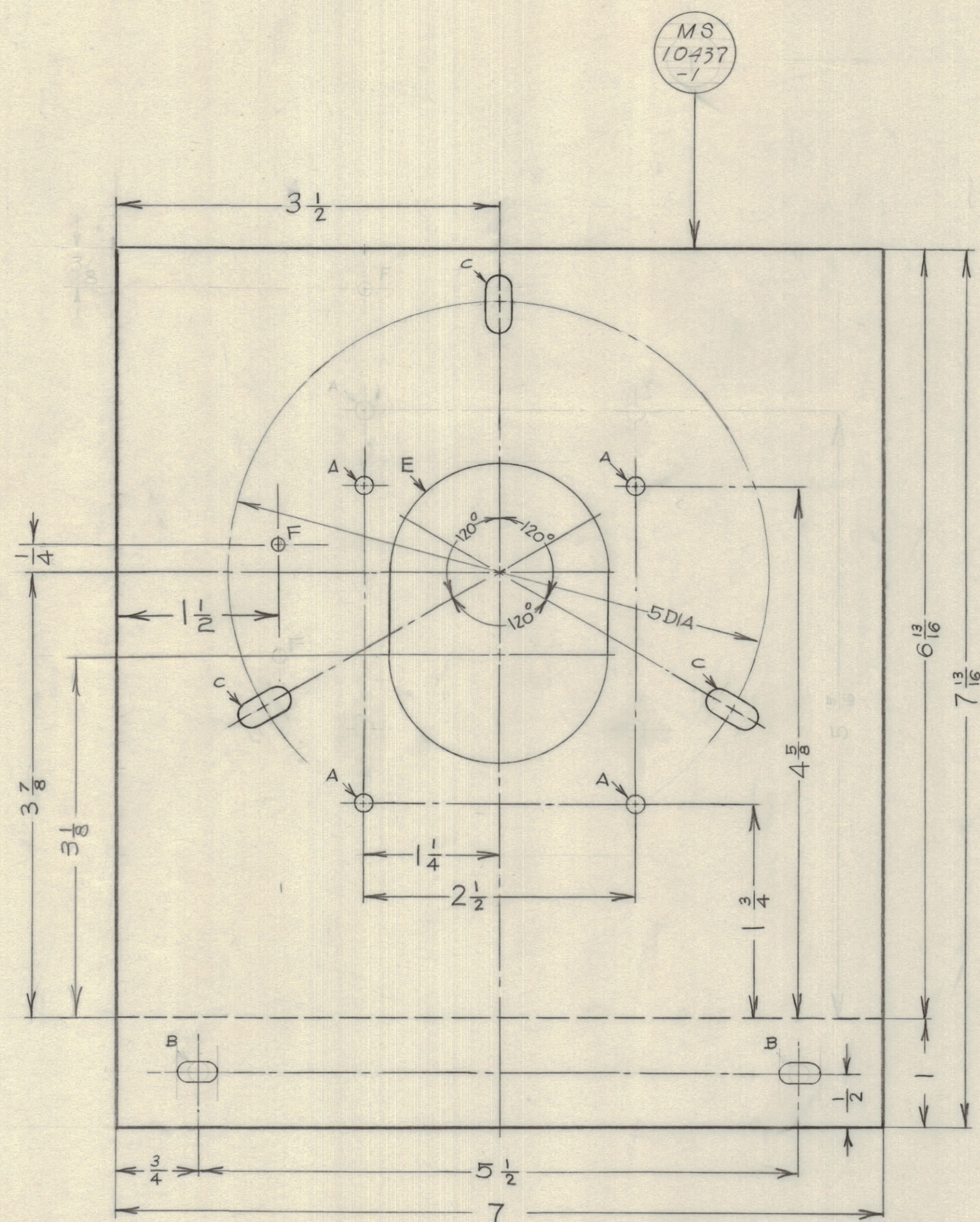


IF IT IS FOUND DESIRABLE TO CHANGE ANY TOLERANCE OR OTHER DETAIL SPECIFIED ON THIS DRAWING NOTIFY THE PURCHASER PROMPTLY.  
 MAXIMUM ALLOWABLE TOLERANCES HAVE BEEN DETERMINED AND DEVIATIONS WILL BE CAUSE FOR REJECTION. REMOVE ALL BURRS AND SHARP EDGES.

NOTICE TO PERSONS RECEIVING THIS DRAWING

THE TECHNICAL MATERIEL CORPORATION claims proprietary right in the material disclosed herein. This drawing is issued in confidence for engineering information only and may not be reproduced or used to manufacture anything shown herein without permission from THE TECHNICAL MATERIEL CORPORATION to the user. This drawing is loaned for mutual assistance and is subject to recall at any time.

Property of:  
 THE TECHNICAL MATERIEL CORPORATION  
 MAMARONECK, NEW YORK



- HOLE A  $\frac{5}{32}$  DIA
- HOLE B  $\frac{1}{8} \times \frac{1}{8}$  SLOT
- HOLE C  $\frac{1}{4} \times \frac{1}{2}$  SLOT
- HOLE D 2 DIA
- HOLE E  $2 \times 2\frac{1}{2}$  SLOT
- HOLE F  $\frac{1}{8}$  DIA

BEND UP ON ALL DOTTED LINES.

ISSUE	ITEM	CHANGED FROM	DATE	CL. NO.	DRAFTS	CHECKER	ENG. APP.
A		CORRECTED	8/6		JC		R.M.I.
TOLERANCES							
SCALE: _____							
DRILL, PUNCH, COMMERCIAL STOCK SIZES AND MANUFACTURERS TOLERANCES ARE NOT INCLUDED.							

CATU-1K CE 5008

MARCH 9/1960

REQ. NO.	ITEM	PART NO.	DESCRIPTION	SYMBOL
1	2		REAR COIL SUPPORT	
1	1		FRONT COIL SUPPORT	
STOCK SIZE			TMC (Canada) LIMITED	
MATERIAL			OTTAWA ONTARIO	
WEIGHT PER PC.			ALUMINUM	
TYPE & TEMPER			COIL SUPPORT	
HEAT TREAT. SPEC.			MK	
FINISH & SPEC. NO.			DRAWN	
			ELEC. DES. APP.	
			MECH. DES. APP.	
			CHECKED	
			FINAL APPROVAL	

MS-10437 A