

IF IT IS FOUND DESIRABLE TO CHANGE ANY TOLERANCE OR OTHER DETAIL SPECIFIED ON THIS DRAWING NOTIFY THE PURCHASER PROMPTLY.

MS10403B

MAXIMUM ALLOWABLE TOLERANCES HAVE BEEN DETERMINED AND DEVIATIONS WILL BE CAUSE FOR REJECTION. REMOVE ALL BURRS AND SHARP EDGES

USED ON

MODEL

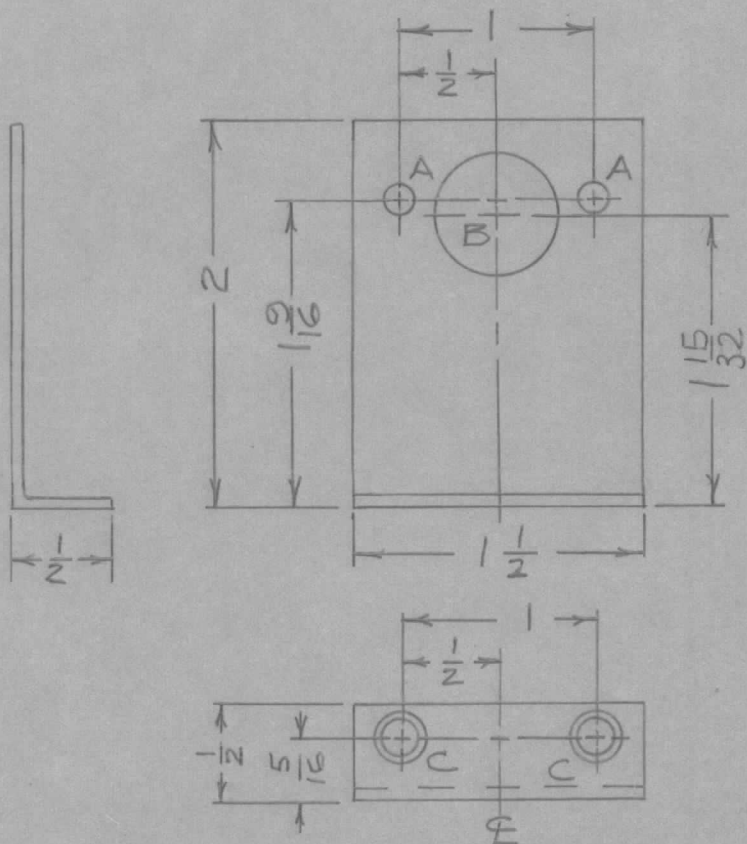
PROJECT NO.

ASS'Y. NO.

DATE

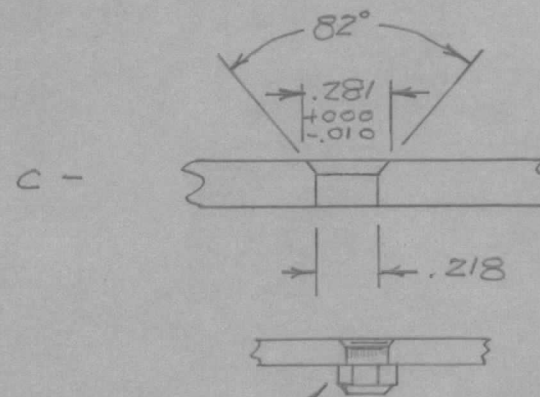
REA-10.CE1095

8/12/60



A - 1/64 (.171) D.

B - 5/8 (.625) D.



MOUNT SM-111-D-206 IN 'C' HOLES AS SHOWN

REQ.	ITEM	PART NO.	DESCRIPTION	SYMBOL
		.064 TK.	TMC (Canada) LIMITED OTTAWA ONTARIO	BRACKET, CAPACITOR
		STOCK SIZE		
		ALUM.	MTG.	JPC
		MATERIAL		
		5052 - H32	JPC	KHA
		TYPE & TEMPER		
			CHECKED	FINAL APPROVAL
		HEAT TREAT. SPEC.		
		S404 IRIDITE	MS10403 B	B
		FINISH & SPEC. NO.		

B	SI01 CAUSTIC DIP DEL. PE FIN. 15/32 WAS 1/2 5052-H32 WAS 5025 H32	4/22/60	16096	WTD	JPC		
A	MS10403 WAS MS1240	8/15/60		JPC			
ISSUE	ITEM	CHANGED FROM	DATE	CN. NO.	DRAFTS	CHECKER	ENG. APP.

TOLERANCES		SCALE 1:1
ALL OTHERS	DEC. DIM. ±	DIMENSIONS IN INCHES UNLESS OTHERWISE SPECIFIED
	FRAC. DIM. ± 1/64	DRILL, PUNCH, COMMERCIAL STOCK SIZES AND MANUFACTURERS TOLERANCES ARE NOT INCLUDED.
	ANGULAR DIM. ±	