

IF IT IS FOUND DESIRABLE TO CHANGE ANY TOLERANCE OR OTHER DETAIL SPECIFIED ON THIS DRAWING NOTIFY THE PURCHASER PROMPTLY.

MS-10126

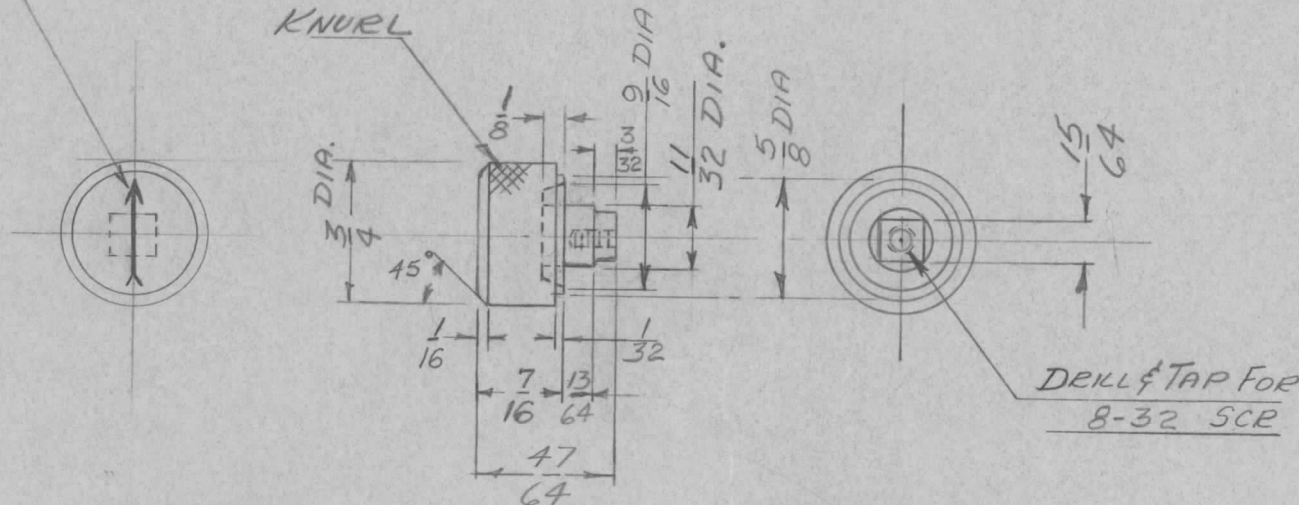
MAXIMUM ALLOWABLE TOLERANCES HAVE BEEN DETERMINED AND DEVIATIONS WILL BE CAUSE FOR REJECTION. REMOVE ALL BURRS AND SHARP EDGES

USED ON

MODEL	PROJECT NO.	ASS'Y. NO.	DATE
-------	-------------	------------	------

A-10047 3-11-55

ARROW TO BE ENGRAVED  
ON FACE OF BUTTON



REQ.	ITEM	PART NO.	DESCRIPTION	SYMBOL
			<b>TMC (Canada) LIMITED</b> OTTAWA ONTARIO	
			3/4 DIA. X 3/4	
			STOCK SIZE	
			BRASS	
			WEIGHT PER PC.	
			BUTTON FOR DOOR LATCH	
			TEMP. R.F. SWITCHING UNIT.	
			L. MARION	
			DRAWN	
			ELEC. DES. APP.	
			MECH. DES. APP.	
			HEAT TREAT. SPEC.	
			DULL NICKEL	
			FINISH & SPEC. NO.	
			CHECKED	
			FINAL APPROVAL	
			MS-10126	

ISSUE	ITEM	CHANGED FROM	DATE	CN. NO.	DRAFTS	CHECKER	ENG. APP.

TOLERANCES

SCALE FULL SIZE

ALL OTHERS  
DEC. DIM.  $\pm \frac{1}{64}$   
FRAC. DIM.  $\pm \frac{1}{64}$   
ANGULAR DIM.  $\pm$

DRILL, PUNCH, COMMERCIAL STOCK  
SIZES AND MANUFACTURERS  
TOLERANCES ARE NOT INCLUDED.