

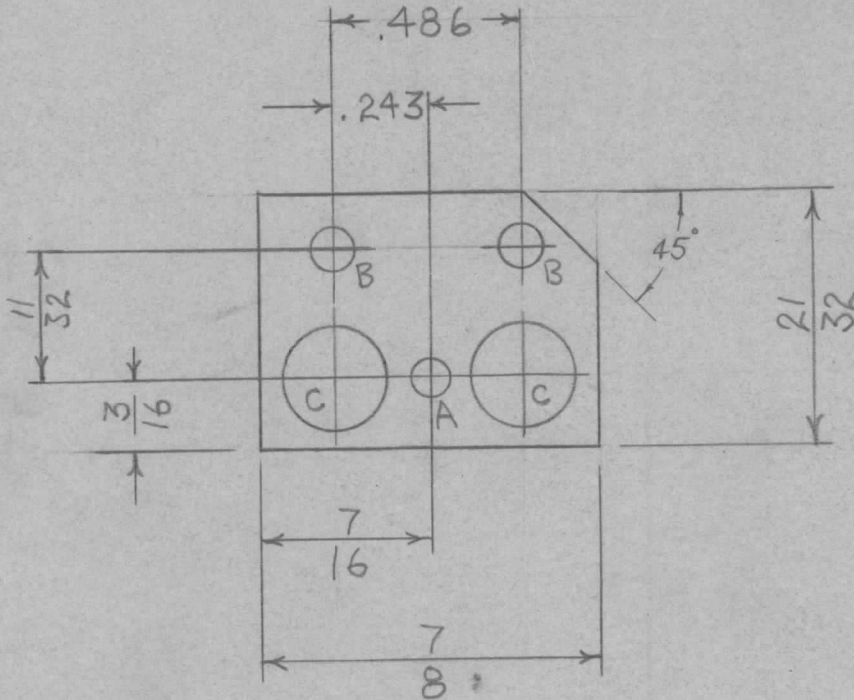
IF IT IS FOUND DESIRABLE TO CHANGE ANY TOLERANCE OR OTHER DETAIL SPECIFIED ON THIS DRAWING NOTIFY THE PURCHASER PROMPTLY.

RELEASED

MS-170 B

MAXIMUM ALLOWABLE TOLERANCES HAVE BEEN DETERMINED AND DEVIATIONS WILL BE CAUSE FOR REJECTION. REMOVE ALL BURRS AND SHARP EDGES

REQ PER UNIT	USED ON			
	MODEL	PROJECT NO.	ASS'Y. NO.	DATE
	FFRD-5	104	A-228	10-17-52
	FFRD-6	104	A-228	10-17-52
	FFRD-7	104	A-228	10-17-52
	FFRD-8	104	A-228	10-17-52
1	FFRD-1,2,3	E-458-P		4/16/56



LEGEND.

A = 1/8 (.125) D. - 1 HOLE

B = 9/64 (.140) D. - 2 HOLES

C = 9/32 (.281) D. - 2 HOLES

REQ.	ITEM	PART NO.	DESCRIPTION	SYMBOL
		064	THE TECHNICAL MATERIEL CORP.	
		STOCK SIZE	MAMARONECK, NEW YORK	
		ALUM. -#-	CRYSTAL BRACKET	
		MATERIAL		
		52S-H32		
		WEIGHT PER PC.		
		TYPE & TEMPER	WDC 10/17	
			DRAWN	ELEC. DES. APP.
				MECH. DES. APP.
			CHECKED	FINAL APPROVAL
		HEAT TREAT. SPEC.		
		S-404-IRIDITE		MS-170 B
		FINISH & SPEC. NO.		

B	1	S404-IRIDITE WAS S101 CAUSTIC DIP	12-7 59	1001	P	EMN	
A	1	45° NOTCH ADDED	12-28-50	1	M3	WDC	
ISSUE	ITEM	CHANGED FROM	DATE	CN. NO.	DRAFTS	CHECKER	ENG. APP.
		TOLERANCES	SCALE 2x1				
ALL OTHERS		DEC. DIM. ± .005 FRAC. DIM. ± 1/64 ANGULAR DIM. ±	DRILL, PUNCH, COMMERCIAL STOCK SIZES AND MANUFACTURERS TOLERANCES ARE NOT INCLUDED.				