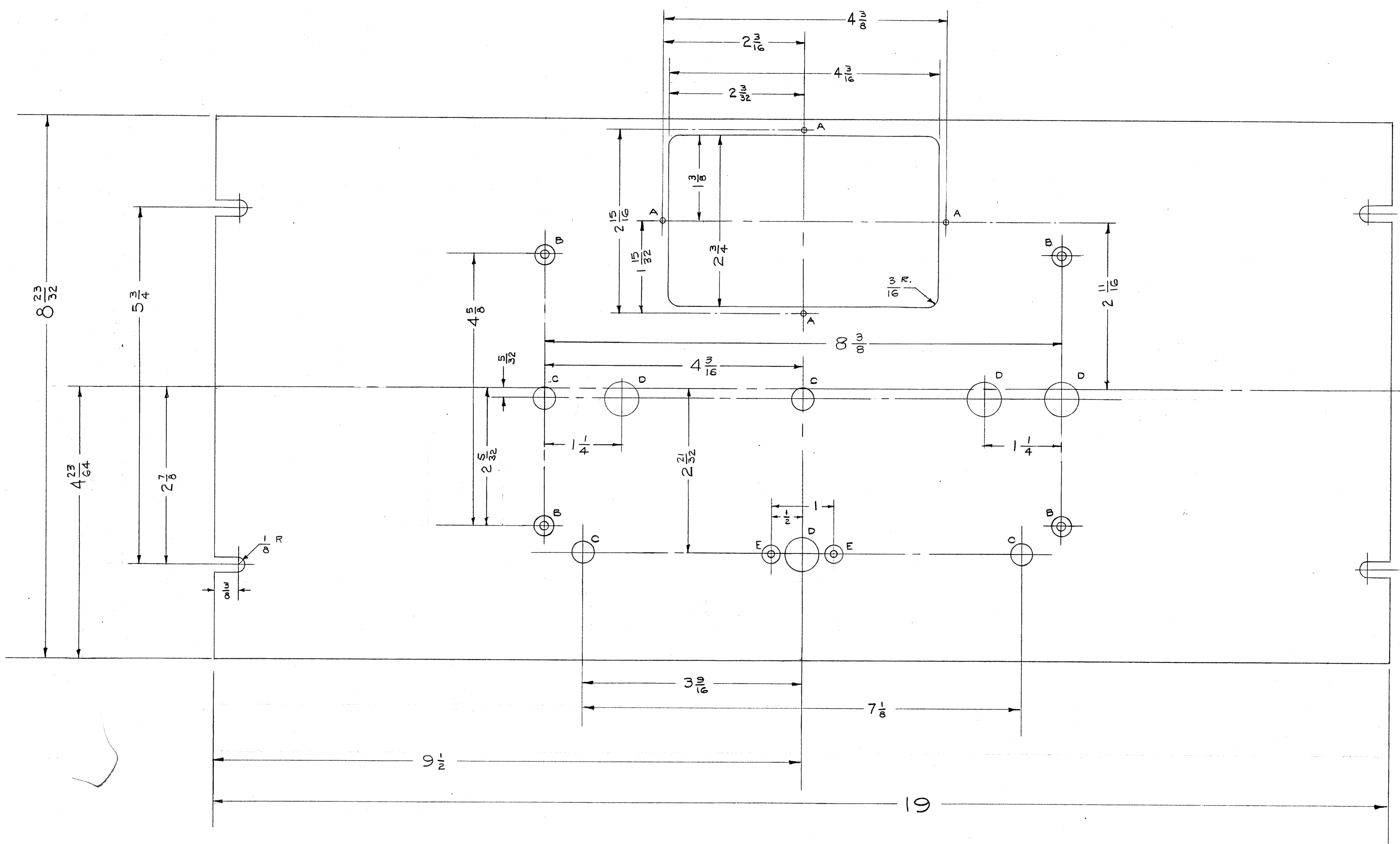
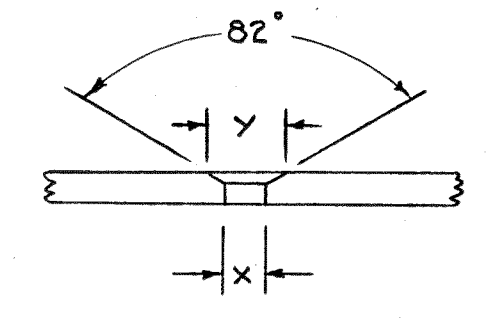


IF IT IS FOUND DESIRABLE TO CHANGE ANY TOLERANCE OR OTHER DETAIL SPECIFIED ON THIS DRAWING NOTIFY THE PURCHASER PROMPTLY.  
 MAXIMUM ALLOWABLE TOLERANCES HAVE BEEN DETERMINED AND DEVIATIONS WILL BE CAUSE FOR REJECTION. REMOVE ALL BURRS AND SHARP EDGES

- A - #47 (.078) D. 4 HOLES REQ.
- B - DRILL & C'SINK 8-32 4 REQ. SEE CHART BELOW.
- C - 25/64 (.390) D. 4 "
- D - 3/16 (.484) D. 4 "
- E - DRILL & C'SINK 6-32 2 " SEE CHART BELOW.

DIMENSION	6-32 "E" HOLES	8-32 "B" HOLES
X	#27 (.144) D.	#18 (.169) D.
Y	.284 D.	.337 D.



FINISH NOTE -  
 S-404 YEL. IRIDITE  
 Front & Edges Only: { S114 ZINC CHROMATE PRIMER  
 S115 SMOOTH GREY ENAMEL  
 OR- PRIME & PAINT TO CUSTOMERS SPECIFICATIONS

FRONT VIEW RACK MOUNT

PROPERTY OF THE TECHNICAL MATERIEL CORPORATION  
 MAMARONECK, NEW YORK

ISSUE	ITEM	CHANGED FROM	DATE	CH. NO.	DRAFTER	CHECKER	ENG. APP.
A1		S-404 YEL. IRIDITE WAS S-101 CAUSTIC DIP	1/24/57	1001	AB		EMN
TOLERANCES		SCALE:					
ALL OTHERS	DEC. DIM. ± FRAC. DIM. ± ANGULAR DIM. ±	DRILL, PUNCH, COMMERCIAL STOCK SIZES AND MANUFACTURERS TOLERANCES ARE NOT INCLUDED.					

REQ. PER UNIT	MODEL	PROJECT NO.	ASSY. NO.	DATE
1	G5B-1 MARK II			5-20-57

REF - LD-296 (8 SIZE)		SYMBOL	
REQ. ITEM	PART NO.	DESCRIPTION	SYMBOL
	3/16 THK.	THE TECHNICAL MATERIEL CORP. MAMARONECK, NEW YORK	
ALUMINUM		FRONT PANEL MACH.	
MATERIAL	WEIGHT PER PC	G5B-1 (MARK II) RACK MTD.	
2024-T3		SC 5-20-57	
TYPE & TEMPER	DRAWN	ELEC. DES. APP.	MECH. DES. APP.
	ANS		
HEAT TREAT. SPEC.	CHECKED	FINAL APPROVAL	
SEE NOTE		MS-1063 A	
FINISH & SPEC. NO.			

MS-1063 A