

IF IT IS FOUND DESIRABLE TO CHANGE ANY TOLERANCE OR OTHER DETAIL SPECIFIED ON THIS DRAWING NOTIFY THE PURCHASER PROMPTLY.

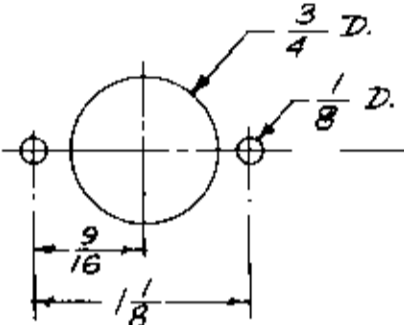
MAXIMUM ALLOWABLE TOLERANCES HAVE BEEN DETERMINED AND DEVIATIONS WILL BE CAUSE FOR REJECTION. REMOVE ALL BURRS AND SHARP EDGES

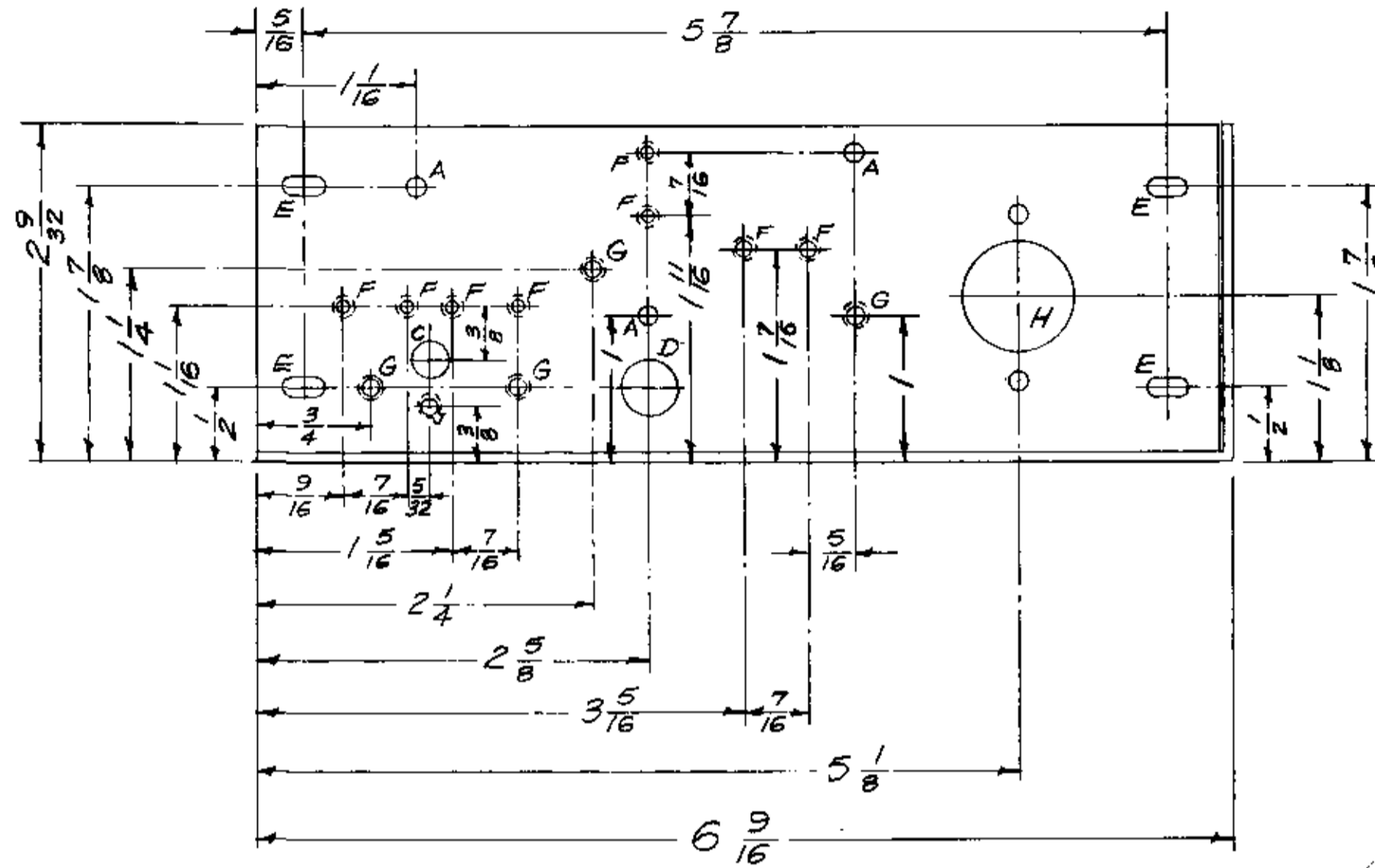
**NOTICE TO PERSONS RECEIVING THIS DRAWING**

THE TECHNICAL MATERIEL CORPORATION claims proprietary right in the material disclosed hereon. This drawing is issued in confidence for engineering information only and may not be reproduced or used to manufacture anything shown hereon without permission from THE TECHNICAL MATERIEL CORPORATION to the user. This drawing is loaned for mutual assistance and is subject to recall at any time.

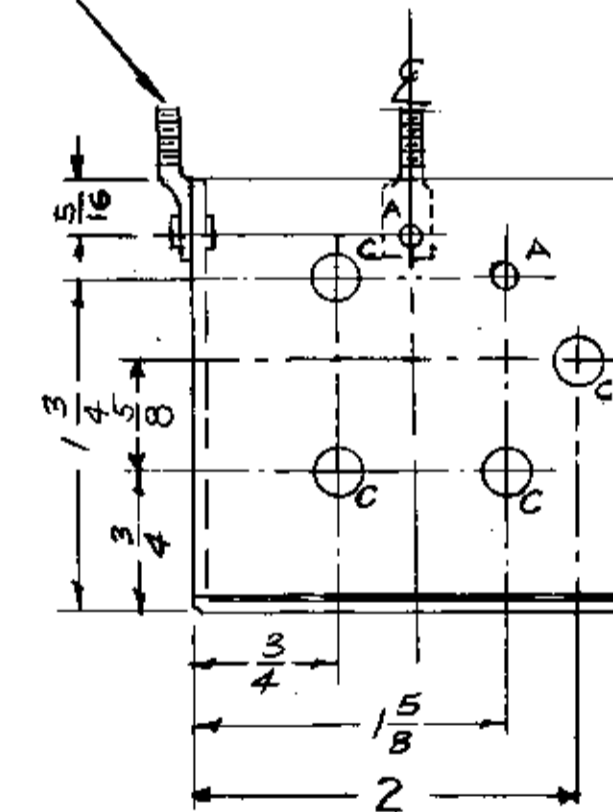
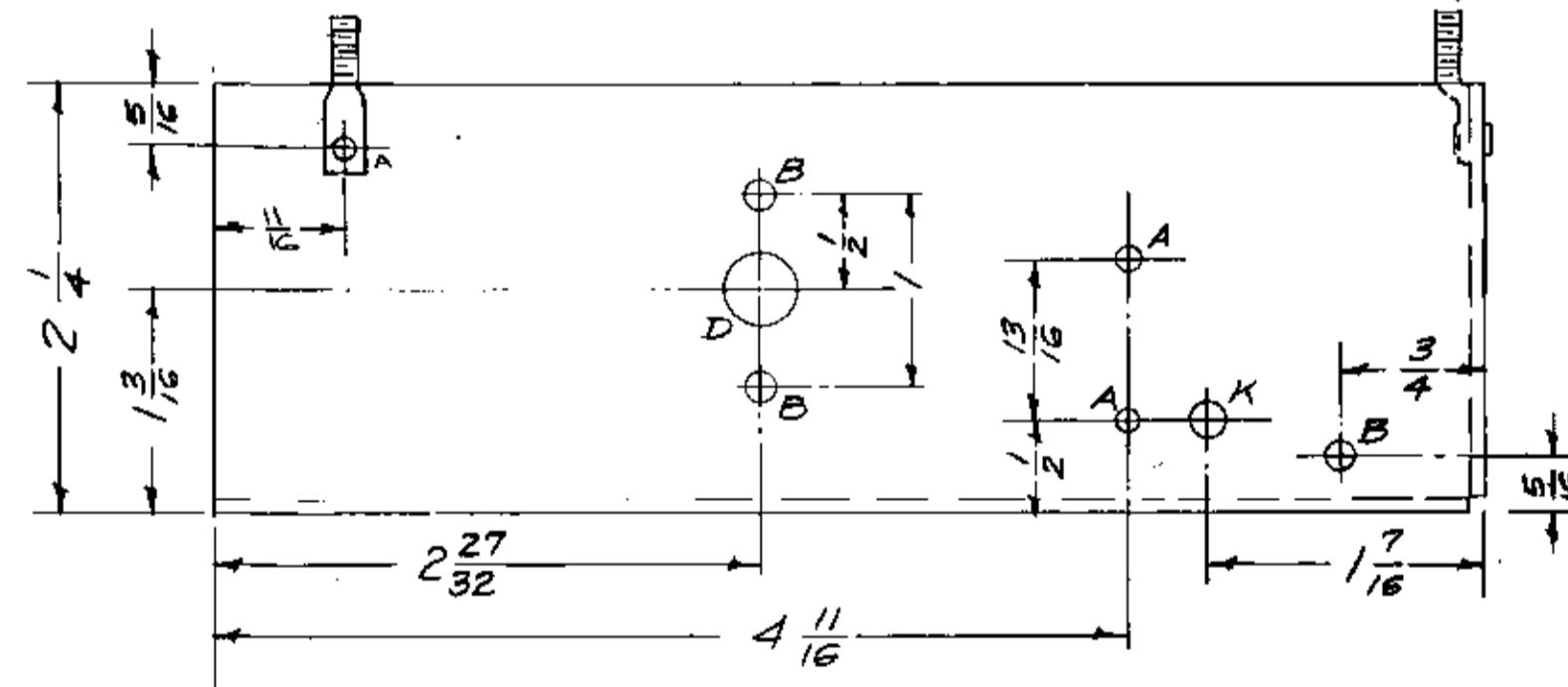
Properly of:

THE TECHNICAL MATERIEL CORPORATION  
MAMARONECK, NEW YORK

- A —  $\frac{1}{8}$  (.125) D. — 8 Req.
- B —  $\frac{5}{32}$  (.156) D. — 3 Req.
- C —  $\frac{1}{4}$  (.250) D. — 5 Req.
- D —  $\frac{3}{8}$  (.375) D. — 2 Req.
- E —  $\frac{5}{32} \times \frac{5}{16}$  SLOTS — 4 Req.
- F — Drill & Tap for 4-40 Screw — 8 Req.
- G — Drill & Tap for 6-32 Screw — 4 Req.
- H —  — 1 Req.
- J — Drill & Tap for 2-56 Screw — 1 Req.
- K —  $\frac{3}{16}$  (.187) D. — 1 Req.



Mount Spade Lug (SC-107-1) and Eyelet (EY-100-2) in "A" Holes as shown. 2 Req.



MS-1088 G

REV	ITEM	CHANGED FROM	DATE	CH. NO.	DRAFTS	CHECKER	ENG. APP.
G		1" HOLE ADDED	9/22/57	18440	H.G.		E.F.M.
F	1	1 SPADE LUG, RELOCATED	9/11/57	3182			
E	1	SPADE - IR DITS	12-9-57	1001			
		SPADE LUGS & EYELETS	9/18/58	4	K		
D	2	ADDED					
	1	TWO "A" HOLES					
	1	ADDED					
C	1	"A" & "C" Holes Relocated	7/6/58	3			
B	2	"A" Hole WBS "D" Hole	11/27/57	2			
	1	"J" Hole WAS 5/16 D.					
A	1	"A" & "G" Holes Relocated	11/16/57	1			

REQ PER UNIT	MODEL	PROJECT NO.	ASBY. NO.	DATE
1	SBE-3		AX-204	11-30-59
1	SBE-2		A-151b	5-2-58
1	SBE-1-2			6-27-57

REQ.	ITEM	PART NO.	DESCRIPTION	SYMBOL
			THE TECHNICAL MATERIEL CORP. MAMARONECK, NEW YORK	
		.064 THK.	STOCK SIZE	
	ALUMINUM	-AA-	CHASSIS, 2 <sup>ND</sup> R.F.	
		5052-H32	SBE-1-2	
		TYPE B TEMPER	6-27-57	
		M		
		HEAT TREAT. SPEC.		
		5009 YEL. IRIDITE		
		FINISH & SPEC. NO.		