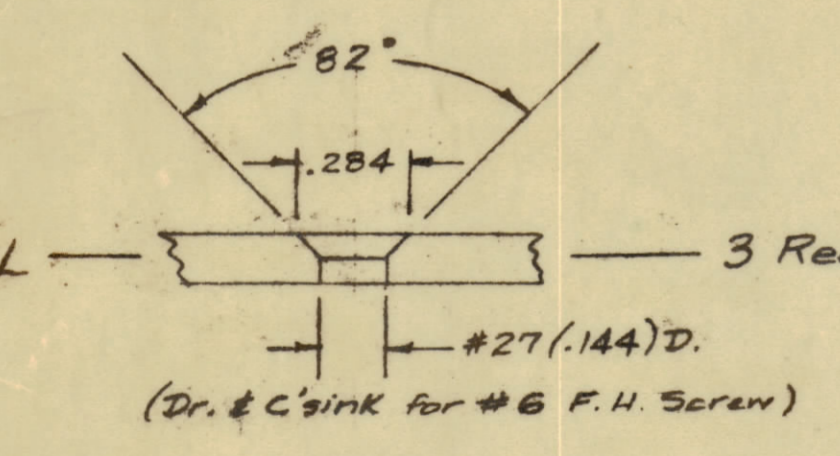
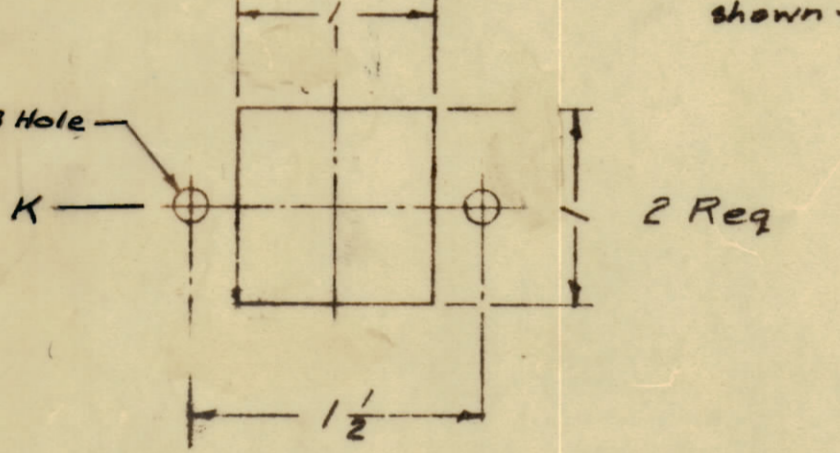
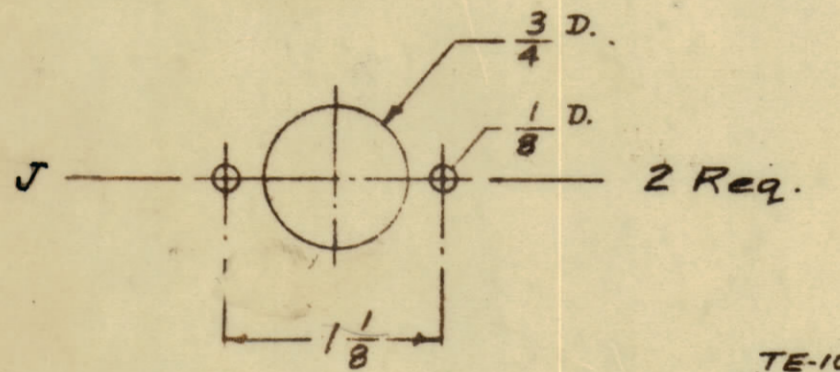
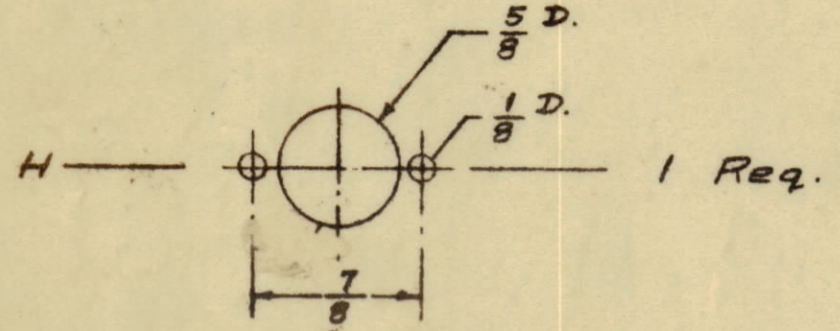


IF IT IS FOUND DESIRABLE TO CHANGE ANY TOLERANCE OR OTHER DETAIL SPECIFIED ON THIS DRAWING NOTIFY THE PURCHASER PROMPTLY.  
 MAXIMUM ALLOWABLE TOLERANCES HAVE BEEN DETERMINED AND DEVIATIONS WILL BE CAUSE FOR REJECTION. REMOVE ALL BURRS AND SHARP EDGES.

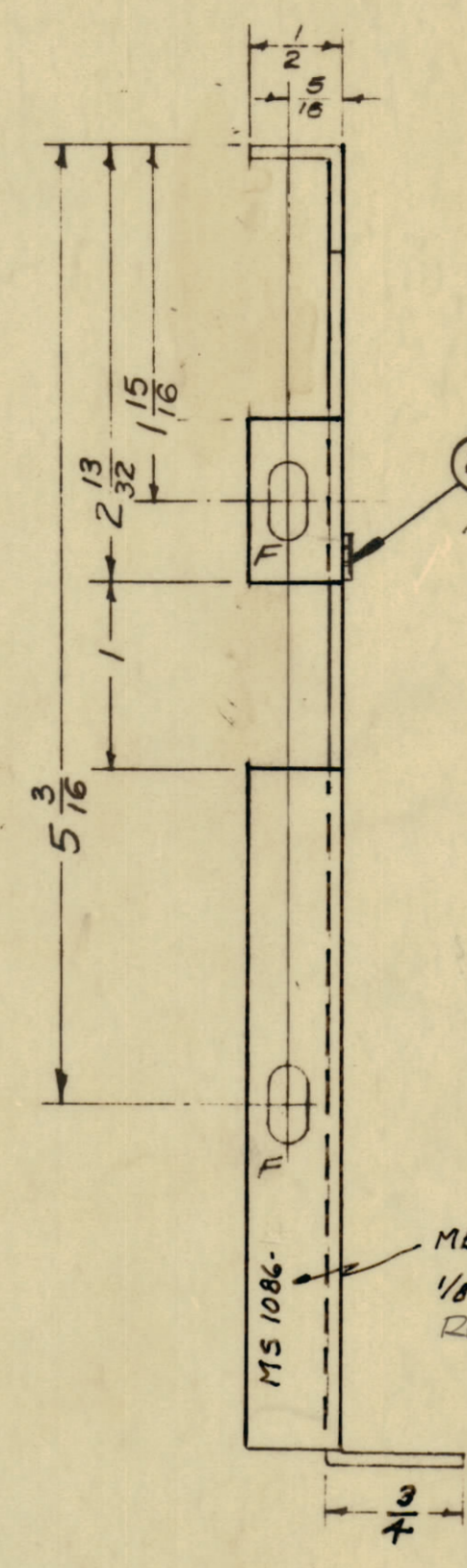
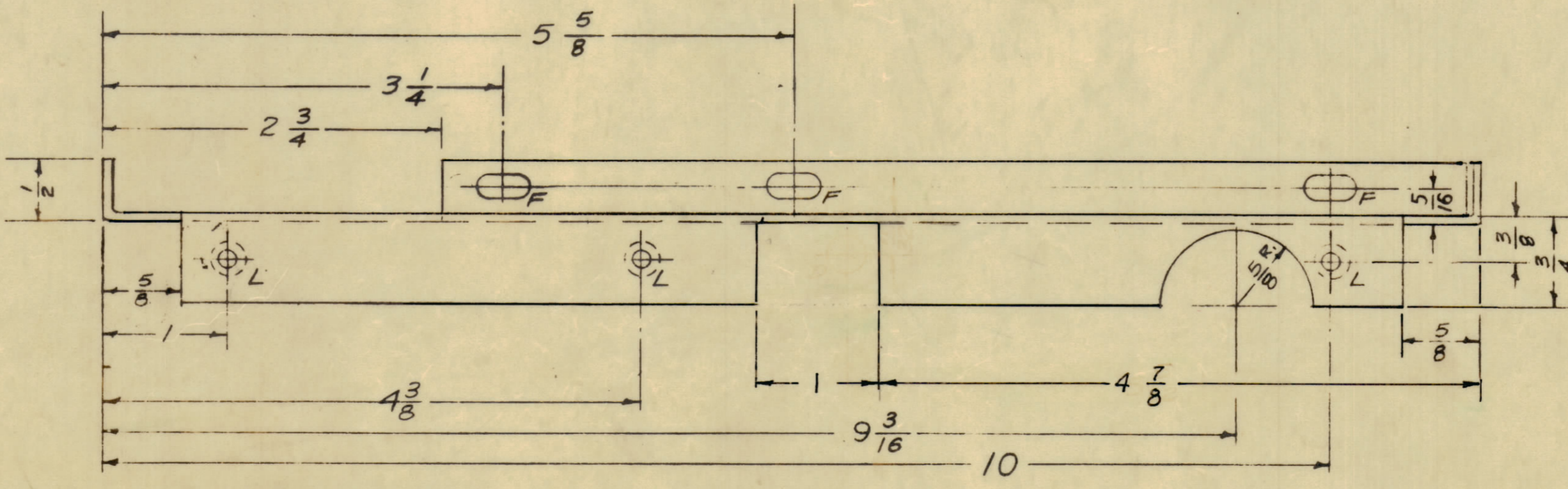
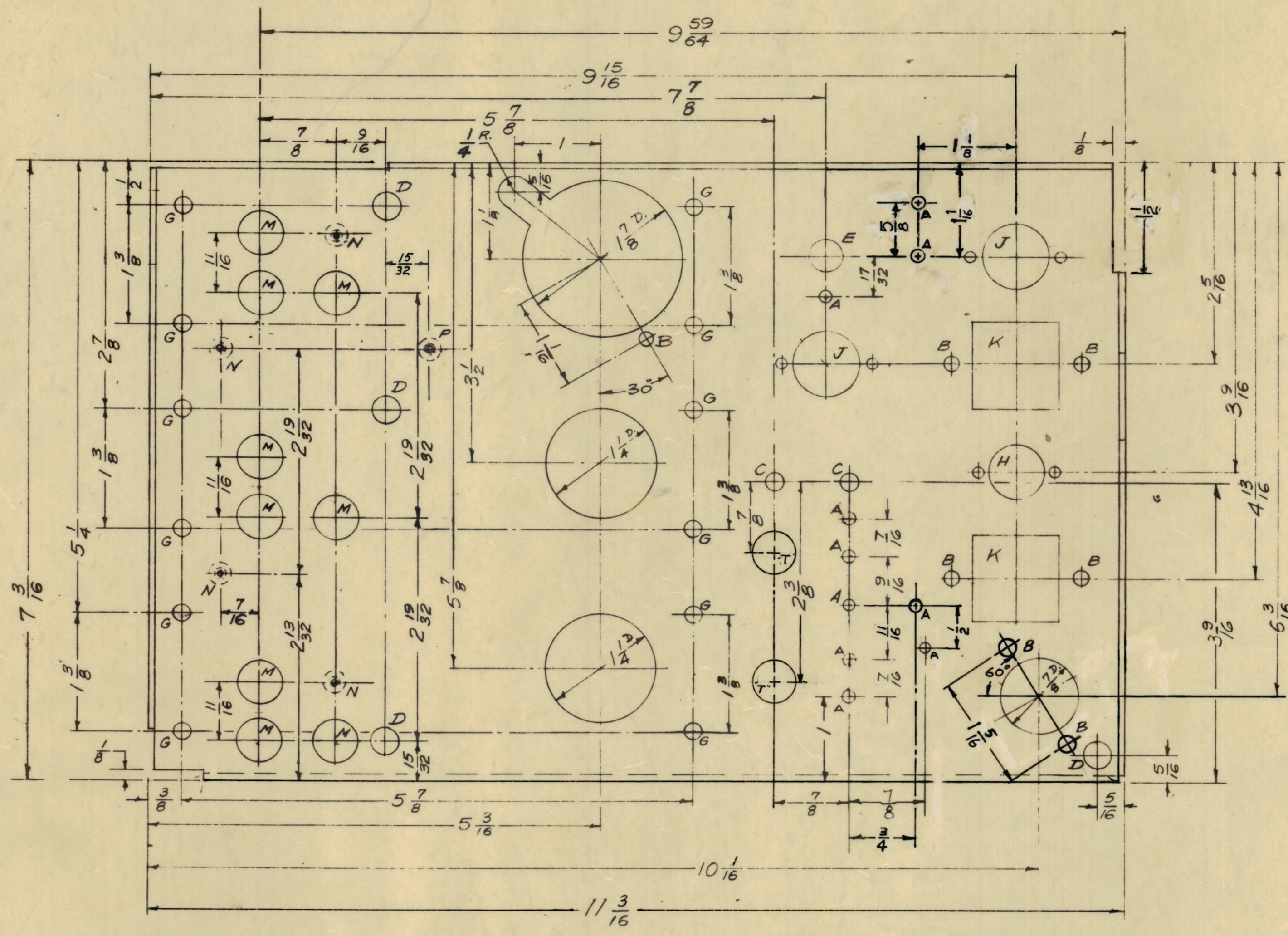
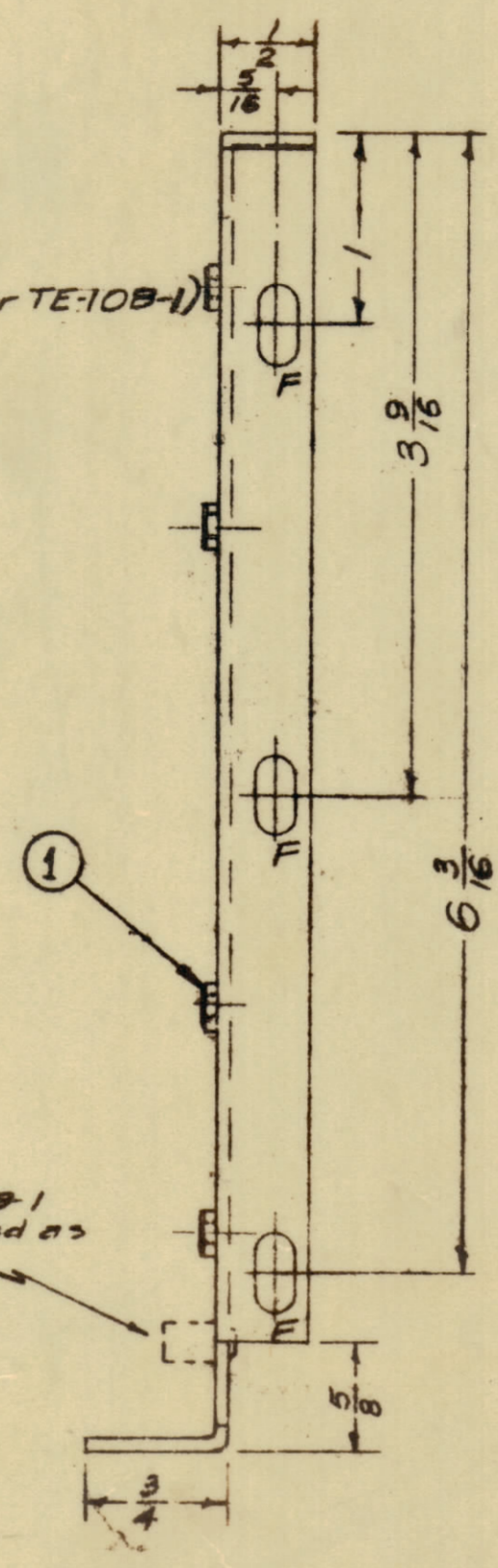
NOTICE TO PERSONS RECEIVING THIS DRAWING  
 THE TECHNICAL MATERIEL CORPORATION claims proprietary right in the material disclosed herein. This drawing is issued in confidence for engineering information only and may not be re-used or used to manufacture anything shown herein without permission from THE TECHNICAL MATERIEL CORPORATION to the user. This drawing is loaned for assistance and is subject to recall at any time.  
 Property of:  
 THE TECHNICAL MATERIEL CORPORATION  
 MAMARONECK, NEW YORK

- A -  $\frac{1}{8}$  (.125) D. — 10 Req.
- B -  $\frac{3}{16}$  DIA. — 7 Req.
- C -  $\frac{3}{16}$  DIA. — 2 Req.
- D -  $\frac{5}{16}$  (.312) D. — 4 Req.
- E -  $\frac{3}{8}$  (.375) D. — 1 Req.
- F -  $\frac{13}{64} \times \frac{13}{32}$  SLOTS — 8 Req.
- T -  $\frac{1}{2}$ " DIA. — 2 Req.

- G - .189 (#12 Dr.) — 12 Req. (for TE-108-1)
- N -  $\frac{19}{32}$  DIA. #11 PUNCH — 4 Req.
- P -  $\frac{161}{64}$  DIA. #20 PUNCH — 1 Req.



- M -  $\frac{5}{8}$  (.625) D. — 9 Req.



METAL STAMP TMC PART NO 1/8 HIGH, GOTHIC, W/LATEST REV. LETTER.

ISSUE	ITEM	CHANGED FROM	DATE	CN. NO.	DRAFTS	CHECKER	ENG. APP.
M	AA	10-1/16 WAS 10-3/16	2.8.54	17413	WHD		
L		AT TOP HOLE 20 HOLES 18/32 WAS 1/2 AT 4 HOLES 30 WAS 1 1/2 WAS 3/8	8-1-63	9677	HK		
K	2	(2) 'E' HOLES DELETED	11-16-62	7627			
K	1	(2) 'T' HOLES ADDED					

FORM - 111

REQ. PER UNIT	MODEL	PROJECT NO.	ASSY. NO.	DATE
1	SBE-3	AX-204		11-30-59
1	SBE-2	A-1516		5-2-58
1	SBE-1			6-26-57

REQ. ITEM	PART NO.	DESCRIPTION	SYMBOL
12	3 TE-108-1	STAND-OFF RIVET TYPE	
1	2 NT129-4404	NUT ROUND SWAGE TYPE	
4	1 NT129-632-4	NUT ROUND SWAGE TYPE	

.064 THK.		THE TECHNICAL MATERIEL CORP.	
STOCK SIZE		MAMARONECK, NEW YORK	
ALLUMINUM		CHASSIS, R.F.	
MATERIAL		SBE-1	
5052-H32		16-25-57	
TYPE & TEMPER		2B	
N		MECH. DES. APP.	
HEAT TREAT. SPEC.		S-454 YEL. IRIDITE	
FINISH & SPEC. NO.		FINAL APPROVAL	

MS 1086 M