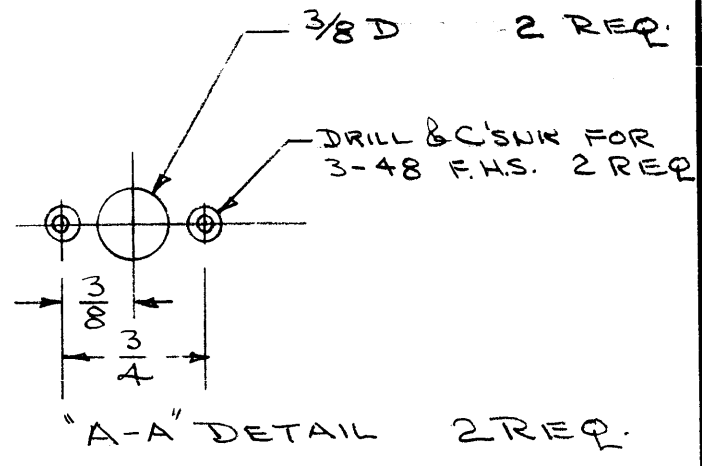
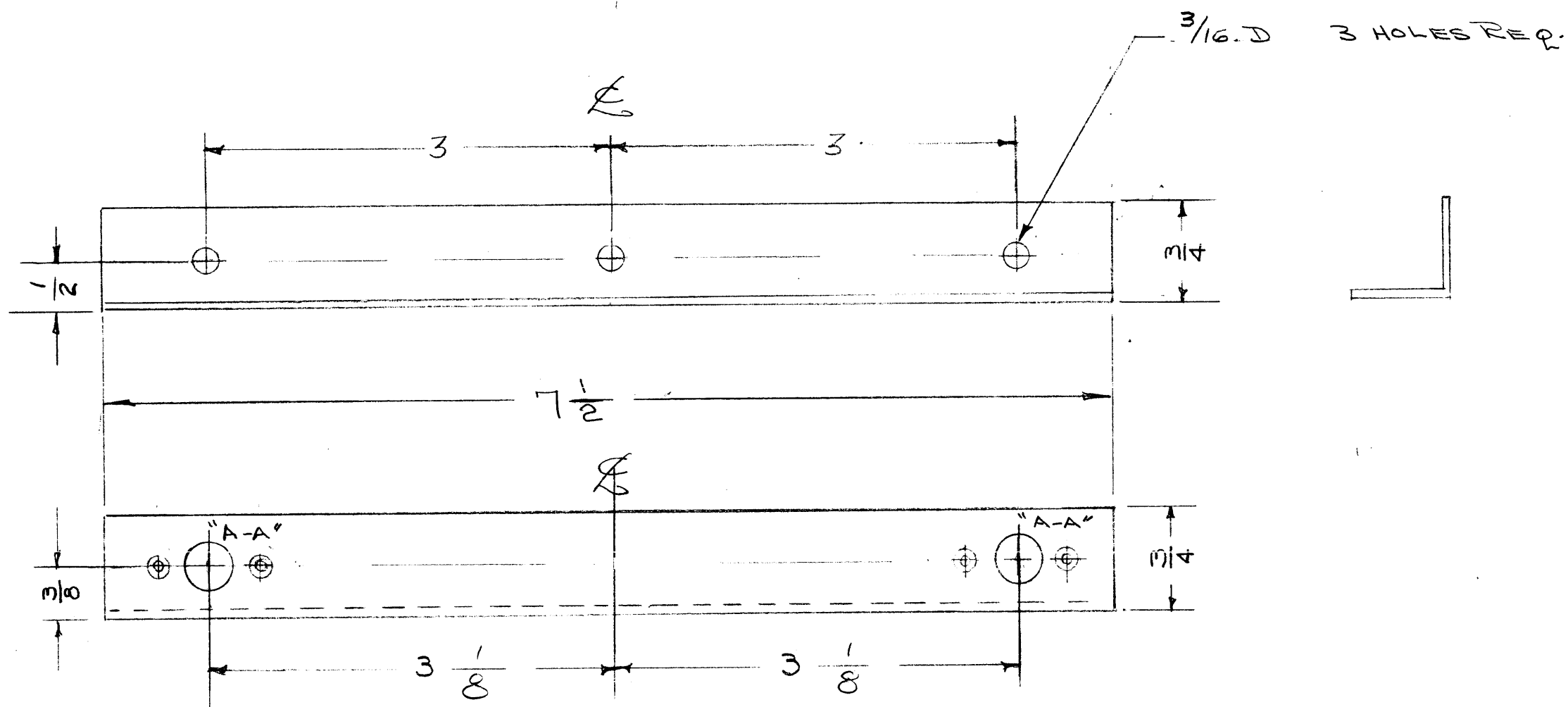


MS-1082 B



NOT TO PERSONS RECEIVING THIS DRAWING

THE TECHNICAL MATERIEL CORPORATION claims proprietary right in the material disclosed hereon. This drawing is issued in confidence for engineering information only and may not be reproduced or used to manufacture anything shown hereon without permission from THE TECHNICAL MATERIEL CORPORATION to the user. This drawing is loaned for mutual assistance and is subject to recall at any time.

Property of:
THE TECHNICAL MATERIEL CORPORATION
 MAMARONECK, NEW YORK

ISSUE	ITEM	CHANGED FROM	DATE	CH. NO.	DRAFTS	CHECKER	ENG. APP.
B	1	S-404 WAS S-101	12/19/59	1001	HB		EMN
A	1	Mounting Holes Were $\frac{5}{32}$	9-25-57	1	SC	HAD	JM

TOLERANCES: DEC. DIM. \pm , FRAC. DIM. \pm $\frac{1}{64}$, ANGULAR DIM. \pm

SCALE: $\frac{1}{4}$

MAXIMUM ALLOWABLE TOLERANCES HAVE BEEN DETERMINED AND ANY DEVIATIONS WILL BE CAUSE FOR REJECTION. REMOVE ALL BURRS AND SHARP EDGES

1	TLI-1	652	A-143B	6-24-57
REQ. PER UNIT	MODEL	PROJECT NO.	ASS'Y. NO.	DATE

USED ON

REQ. ITEM	PART NO.	DESCRIPTION	SYMBOL
.062		THE TECHNICAL MATERIEL CORP.	
	STOCK SIZE	MAMARONECK, NEW YORK	
ALUMINUM		COVER, BRACKET	
	MATERIAL	FRONT	
5052-H32		R.F.B. HAD Jk	
	TYPE & TEMPER	DRAWN	
S-404 YELLOW IRIDITE		CHECKED	
	FINISH & SPEC. NO.	FINAL APPROVAL	
		RFB	
		ELEC. DES. APP. MECH. DES. APP.	MS-1082 B