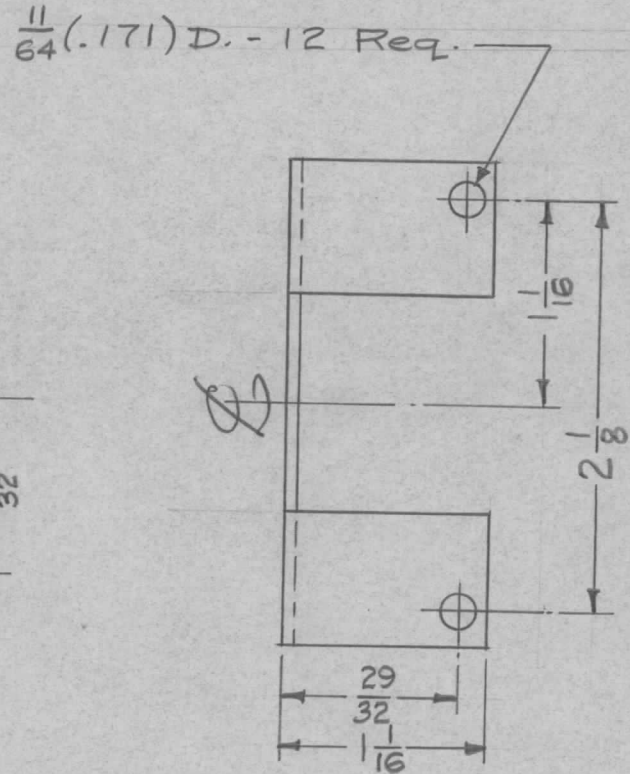
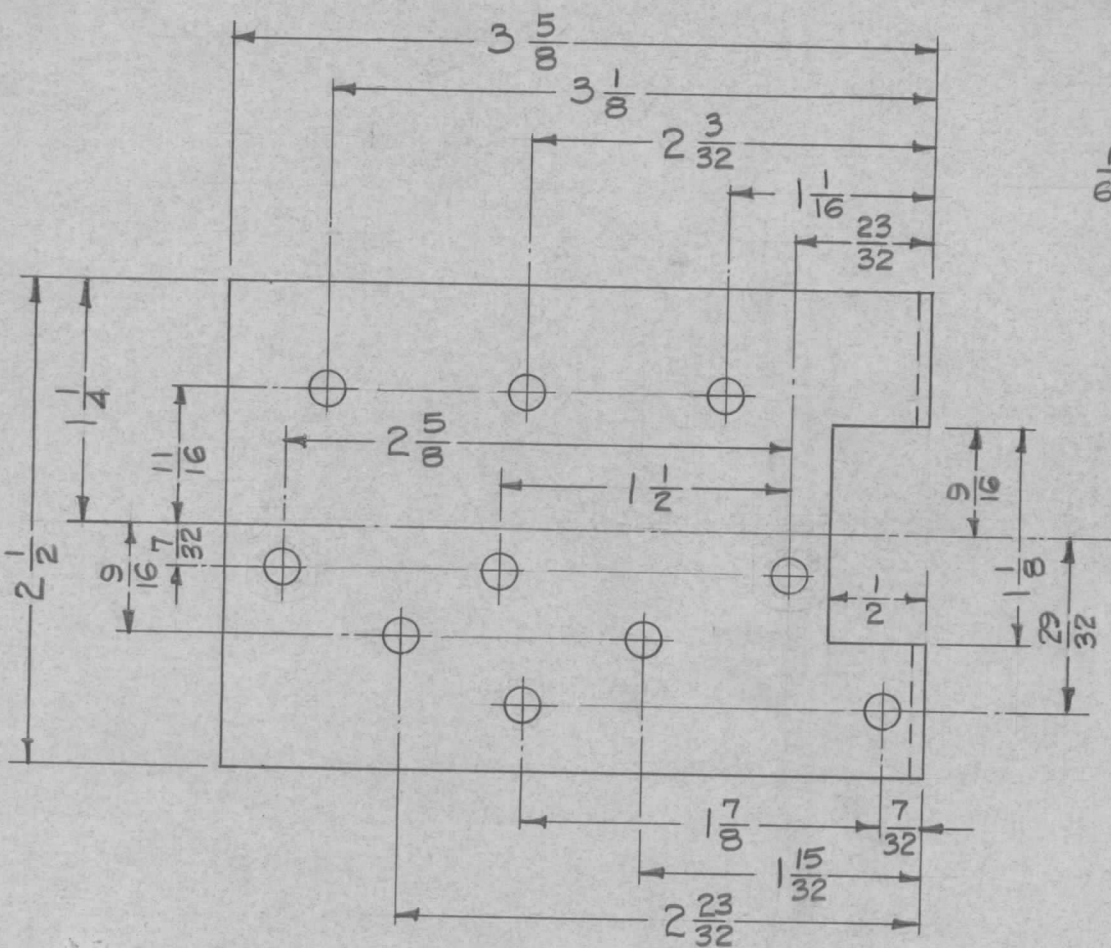


REQ. PER UNIT	USED ON		
	MODEL	ASS'Y. NO.	DATE
1	FX-154	A-1424	6-18-57
1	FX-155	A-1427	6-18-57

MS-1046 A



ISSUE	ITEM	CHANGED FROM	DATE	CH. NO.	DRAFTS	CHECKER	ENG. APP.	REQ. ITEM	PART NO.	DESCRIPTION	SYMBOL	
									.064 THK.	THE TECHNICAL MATERIEL CORP. MAMARONECK, NEW YORK	BRACKET, COIL MOUNTING	
									Aluminum			
A	1	5404 - IRIDITE WAS S101 - CAUSTIC DIP	12-8 59	1001	P		EMN					
TOLERANCES			SCALE: FULL					5052-H32	—H—	LG	JND	MS
DEC. DIM. ± FRAC. DIM. ± 1/64 ANGULAR DIM. ±			MAXIMUM ALLOWABLE TOLERANCES HAVE BEEN DETERMINED AND ANY DEVIATIONS WILL BE CAUSE FOR REJECTION. REMOVE ALL BURRS AND SHARP EDGES					TYPE & TEMPER	HEAT TREAT. SPEC.	DRAWN	CHECKED	FINAL APPROVAL
								S404-IRIDITE				MS-1046 A
								FINISH & SPEC. NO.		ELEC. DES. APP.	MECH. DES. APP.	