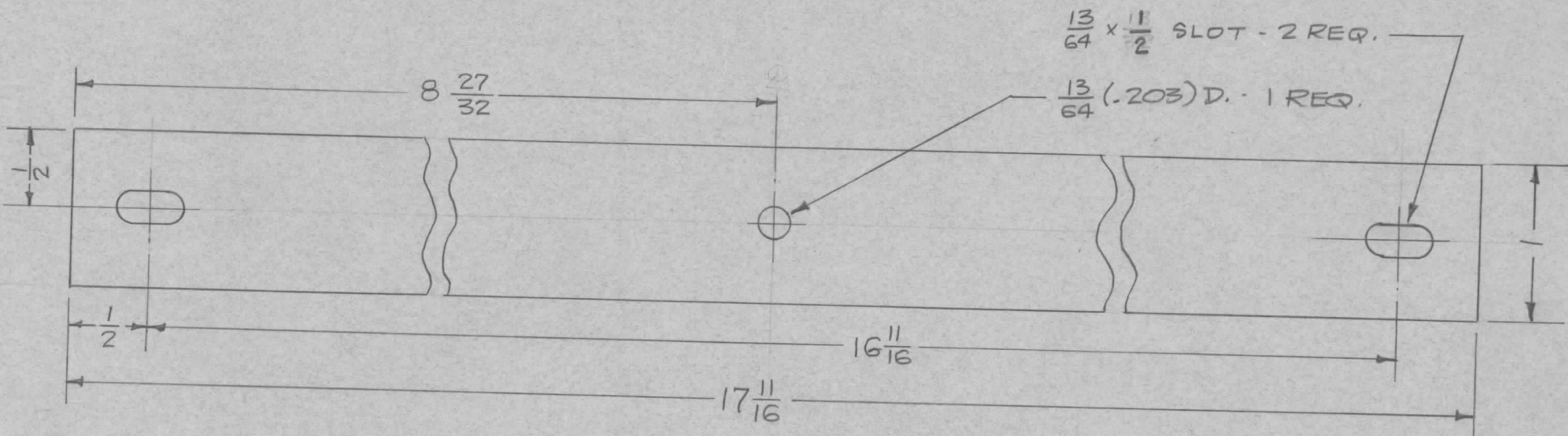


REQ. PER UNIT	USED ON			MS-1043 B
	MODEL	ASS'Y. NO.	DATE	
1	TER-5000	A-1431(8)	4-23-57	



Finish - S-245 - Silver Plate .0005  
 S-423 - Iridite

ISSUE	ITEM	CHANGED FROM	DATE	CH. NO.	DRAFTS	CHECKER	ENG. APP.	REQ. ITEM	PART NO.	DESCRIPTION	SYMBOL						
B	1	Finish Added	6/9/59		J.C.B.	<i>J.C.B.</i>	<i>chc</i>	.032 THK.									
A	2	1/2 WAS 13/32 (Slots)	7-15-57	1	SC.	<i>J.C.B.</i>	<i>chc</i>	STOCK SIZE									
	1	.032 STOCK WAS .025						COPPER, SOFT									
TOLERANCES								MATERIAL									
DEC. DIM. $\pm$			SCALE: FULL					SOFT									
FRAC. DIM. $\pm$ 1/64			MAXIMUM ALLOWABLE TOLERANCES HAVE BEEN DETERMINED AND ANY DEVIATIONS WILL BE CAUSE FOR REJECTION. REMOVE ALL BURRS AND SHARP EDGES					TYPE & TEMPER		HEAT TREAT. SPEC.		DRAWN		CHECKED		FINAL APPROVAL	
ANGULAR DIM. $\pm$								See Note									
								FINISH & SPEC. NO.		ELEC. DES. APP.		MECH. DES. APP.		MS-1043 B			