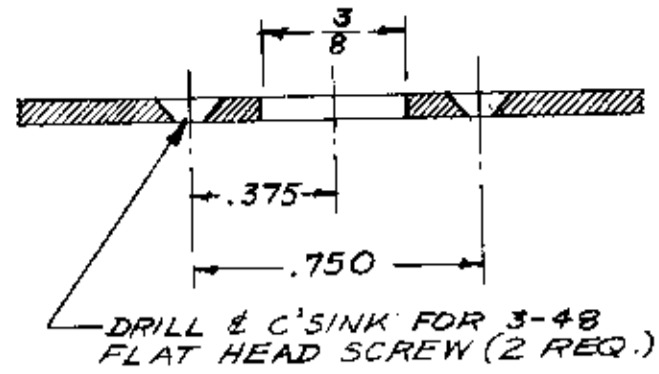


IF IT IS FOUND DESIRABLE TO CHANGE ANY TOLERANCE OR OTHER DETAIL SPECIFIED ON THIS DRAWING NOTIFY THE PURCHASER PROMPTLY.

MAXIMUM ALLOWABLE TOLERANCES HAVE BEEN DETERMINED AND DEVIATIONS WILL BE CAUSE FOR REJECTION. REMOVE ALL BURRS AND SHARP EDGES

- A ✓ DR. & C'SK FOR 8-32 F.H.S. 3 REQ.
- B ✓  $\frac{11}{64} \times \frac{11}{32}$  SLOT 5 REQ.
- C ✓  $\frac{3}{4}$  DIA. 7 REQ.
- D ✓ SEE DETAIL 4 REQ.
- E ✓  $\frac{7}{32}$  DIA. 6 REQ.
- F - DELETED
- G ✓ DR. & C'SK FOR 6-32 F.H.S. 2 REQ.

"D" DETAIL 4 REQ.

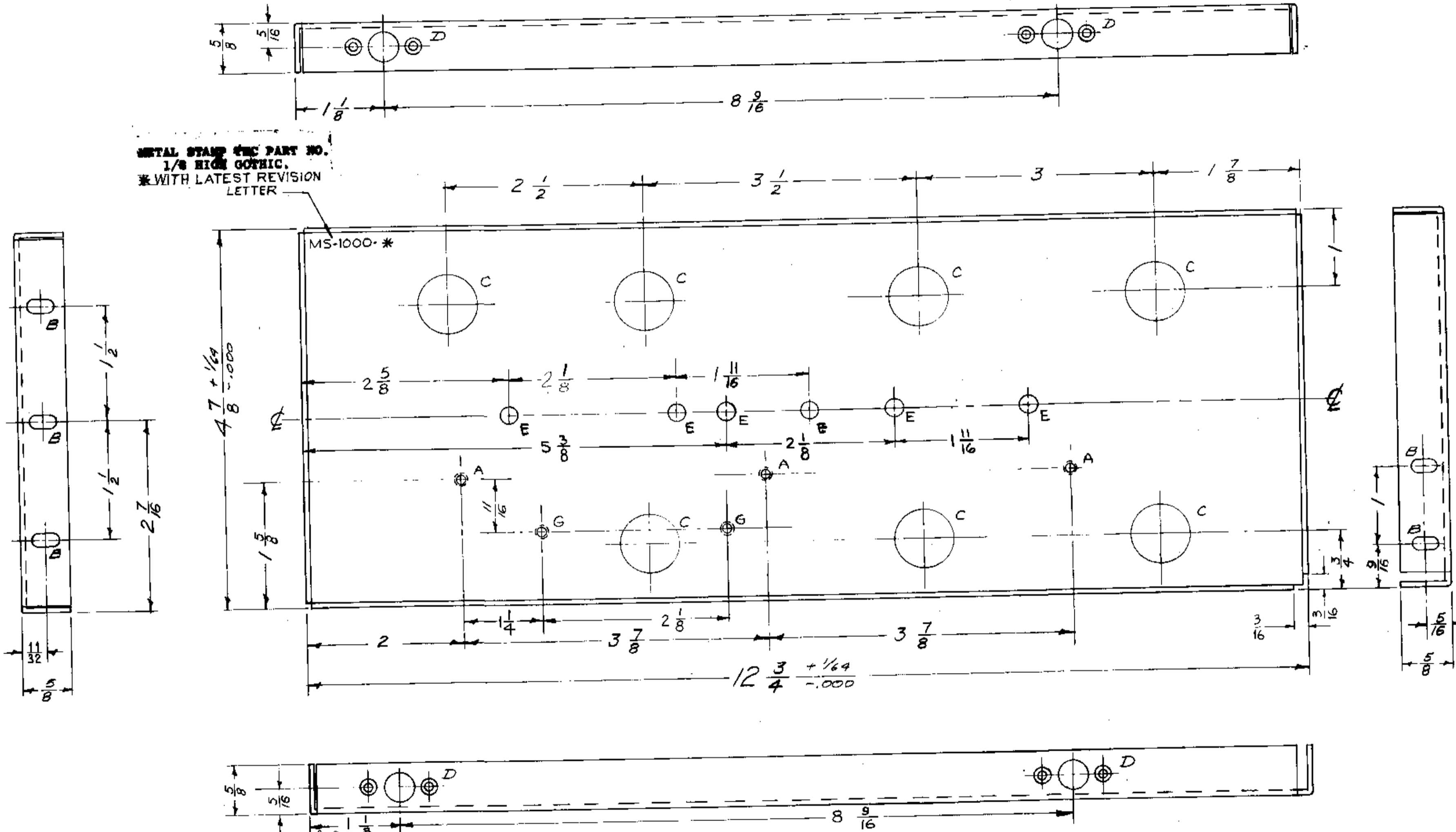


NOTICE TO PERSONS RECEIVING THIS DRAWING

THE TECHNICAL MATERIEL CORPORATION claims proprietary right in the material disclosed hereon. This drawing is issued in confidence for engineering information only and may not be reproduced or used to manufacture anything shown hereon without permission from THE TECHNICAL MATERIEL CORPORATION to the user. This drawing is loaned for mutual assistance and is subject to recall at any time.

Property of:  
THE TECHNICAL MATERIEL CORPORATION  
MAMARONECK, NEW YORK

METAL STAMP ETC PART NO.  
1/8 HIGH GOTHIC.  
\* WITH LATEST REVISION LETTER



MS-1000 K

ISSUE	ITEM	CHANGED FROM	DATE	CN. NO.	DRAFTS	CHECKER	ENG. APP.
E	2	5/16 DIA. HOLES ADDED (17/32 HOLE ALSO DELETED)	6-22-58	5113	RM		
D	1	17/32 DIA. WAS 3/16 DIA.	1-11-61	3870	WAF		
C	1	3/16 NOTCH ADDED TO LIPS	7-25-60	2630	CY		
B	3	17/32 HOLE ADDED	6-30	2-5-3	CY		
A	1	5/16 HOLES WERE 11/64	12-9-57	1001			BMM

ISSUE	ITEM	CHANGED FROM	DATE	CN. NO.	DRAFTS	CHECKER	ENG. APP.
K	1	ADDED * ETC. TO METAL STAMP NOTE	1/27/64	11300	AM		
J	1	ADDED 3 "E" HOLES	2/14/61	10815	AM		
H	2	"G" HOLE 2 REQ. WAS 1 REQ. (17/32 HOLE - 2 1/8 DIA. ADDED MSR-9 ADDED TO USED ON BLOCK)	10/14/63	10121			
G	1	2 1/8 DIA. WAS 5 1/16	2-18-58	6363	G.S.		
F	1	Dim 1 1/4 Was 1	10/14/63	10121			

REQ. PER UNIT	MODEL	PROJECT NO.	ABBY. NO.	DATE
1	MSR-9			10-2-68
1	AFC-1			1-17-61
1	TIS-3			1-11-61
1	MSR-B			1-11-61
1	MSR-6			1-11-61
1	MSR-5			1-11-61
1	MSR-3A			1-11-61
1	MSR-3			9-3-58
1	MSR-4			11-20-56
1	MSR-1			

REQ. ITEM	PART NO.	DESCRIPTION	SYMBOL
	.064 THK.	THE TECHNICAL MATERIEL CORP. MAMARONECK, NEW YORK	
	STOCK SIZE		
	ALUMINUM	LEFT SIDE PLATE, MSR	
	5052-H32		
	TYPE & TEMPER		
	HEAT TREAT. SPEC.		
	FINISH & SPEC. NO.		