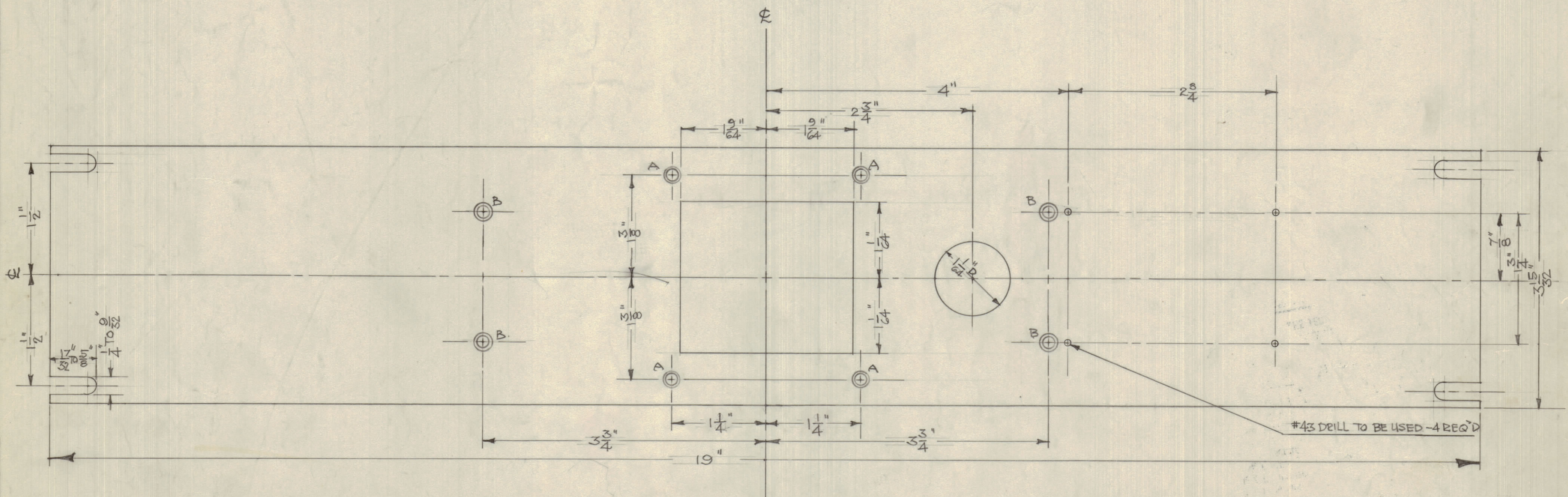


MS-10005



A - DRILL & C.S.K. FOR 6-32 FLAT HEAD MACHINE SCREW - 4 REQ'D.
 B - " " " 8-32 " " " " - 4 REQ'D.

TOLERANCE.
 FRACTIONAL DIM. $\pm \frac{1}{64}$

NOTICE TO PERSONS RECEIVING THIS DRAWING

THE TECHNICAL MATERIEL CORPORATION claims proprietary right in the material disclosed hereon. This drawing is issued in confidence for engineering information only and may not be reproduced or used to manufacture anything shown hereon without permission from THE TECHNICAL MATERIEL CORPORATION to the user. This drawing is loaned for mutual assistance and is subject to recall at any time.

Property of:
 THE TECHNICAL MATERIEL CORPORATION
 MAMARONECK, NEW YORK

DCP-2	PROJECT NO	ASSY NO.	12-5-53
MODEL			DATE
SCALE FULL SIZE			

3" SHEET		TMC (Canada) LTD.	
STOCK SIZE		OTTAWA ONTARIO	
ALUMINUM		FRONT PANEL	
MATERIAL WT PER PC		FOR DCP-2	
ALCAN 24S-T		J.R.H.	
ALCOA 24ST-3		DRAWN	ELEC. DES. APP. MECH. DES. APP.
TYPE & TEMPER			
HEAT TREAT. SPEC		CHECKED	FINAL APPROVAL
TMC. SPEC N2S-115			
FINISH & SPEC NO.			MS-10005