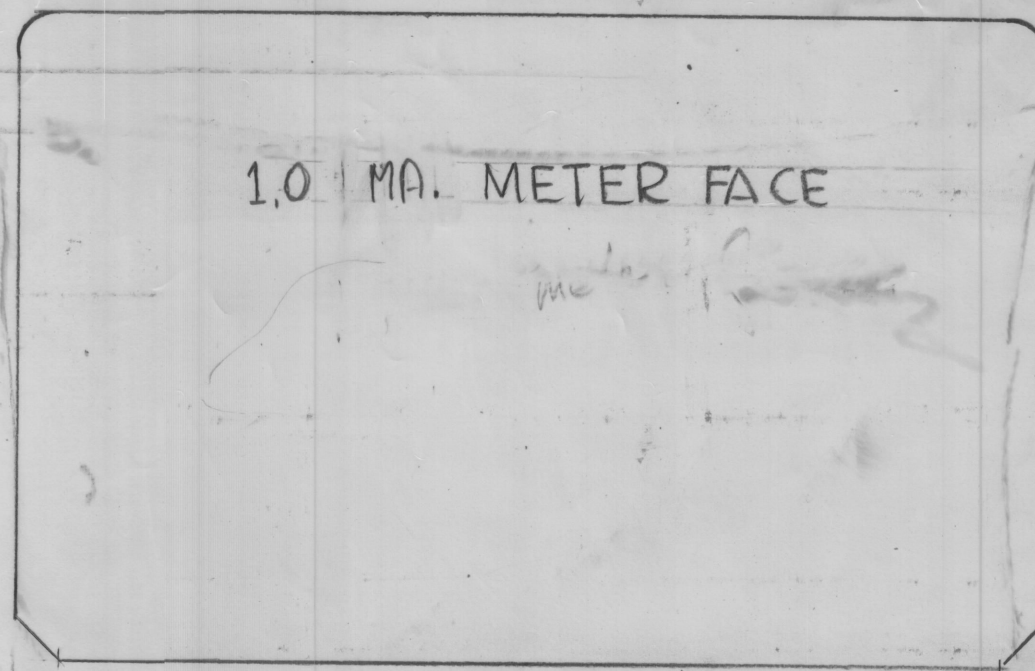
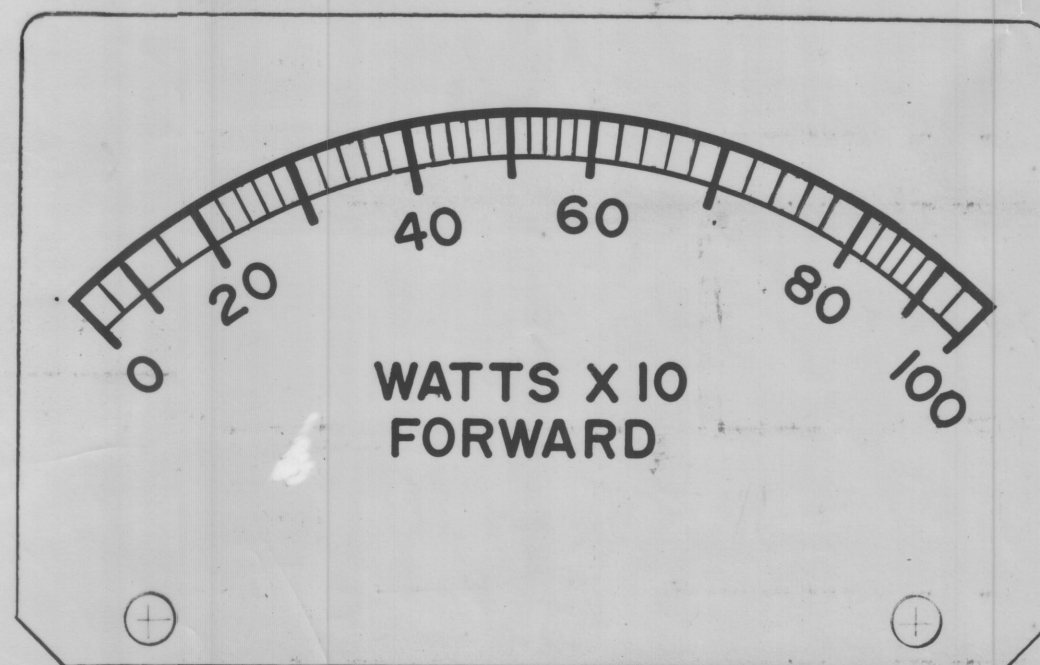


TMC PART NO.	DESCRIPTION
MR 237-1	1.0 MA. METER
MR 237-2	WATTS X 10 FORWARD FACE

REVISIONS						
ZONE	LTR	DESCRIPTION	DATE	E.M.N.NO	DRAFT	CHKD APPD
	X	EXP. RELEASE				
	X1	MR 237-1 & CHART ADD.	12-9-74			
	Ø	ORIGINAL RELEASE FOR PRODUCTION	3/13/75		a	



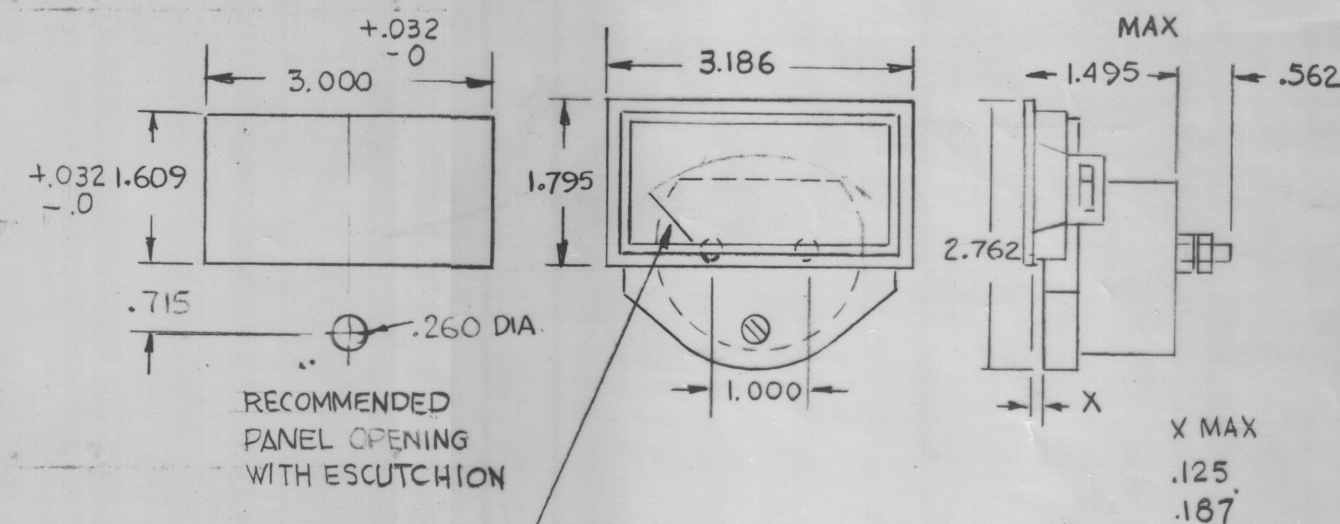
MR 237-1



SCALE 2:1 REDUCTION 50%

MR 237-2

NOTE: ALL LETTERING AND LINEWORK TO BE BLACK ON A FLAT WHITE BACKGROUND



NOTE POINTER MUST BE WHITE WHEN BLACK FACE IS USED

1	TMA -1K	BMA 521
QTY UNIT	MODEL USED ON	ASS'Y NO.
APPLICATION		

TOLERANCES ON	
DECIMALS	FRACTIONS
X ± .05	± 1/64
XX ± .01	ANGLES
XXX ± .005	± 0°-30°

NOTICE TO PERSONS RECEIVING THIS DRAWING
 THE TECHNICAL MATERIEL CORPORATION claims proprietary right in the material disclosed hereon. This drawing is issued in confidence for engineering information only and may not be reproduced or used to manufacture anything shown hereon without permission from THE TECHNICAL MATERIEL CORPORATION to the user. This drawing is loaned for mutual assistance and is subject to recall at any time.

MATERIAL
 FINISH

QTY. REQ.	ITEM	PART NO.	DESCRIPTION	SYMBOL
F. BUDETTI LIST OF MATERIAL				
FINAL APPROVAL		DATE	THE TECHNICAL MATERIEL CORP. MAMARONECK, NEW YORK	
MECH. DES.		DATE	METER OUTPUT	
ELECT. DES.		DATE		
CHECKED		DATE		
DRAWN		DATE	SIZE CODE IDENT. NO. DWG NO. ISSUE	
G.D.L.		7-10-74	82679 MR 237	
SCALE		SHEET		OF