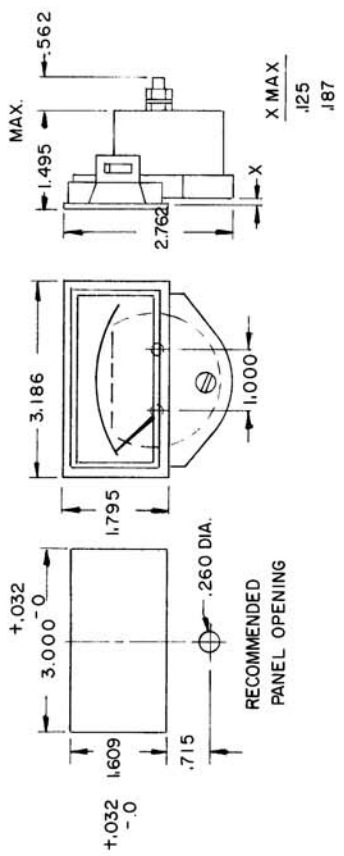
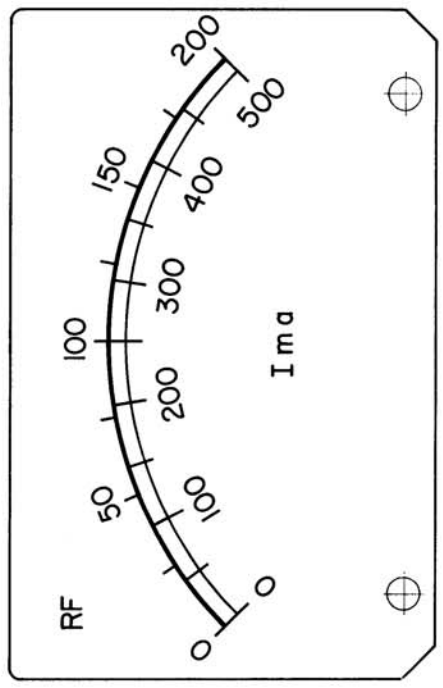


5 4 3 2 1

REVISIONS							
EMIN. NO	DRAFT	CHKD	ZONE	LTR	DESCRIPTION	DATE	APPROVED
					ORIGINAL RELEASE FOR PRODUCTION	10-20-72	



SPECIFICATIONS  
RANGE-1MA RESISTANCE-100 Ω

SCALE 2X

REQ'D ITEM	PART NUMBER	DESCRIPTION	SYM.
F.B		LIST OF MATERIAL	
UNLESS OTHERWISE SPECIFIED DIMENSIONS ARE IN INCHES AND INCHES ARE TO BE APPLIED TO ALL DIMENSIONS UNLESS OTHERWISE SPECIFIED			
FINAL APPROVAL	DATE	MECH. DES.	DATE
<i>[Signature]</i>	10/19/72		
ELECT. DES.	DATE	CHECKED	DATE
<i>[Signature]</i>		<i>[Signature]</i>	10/19/72
DRAWN	DATE		
<i>[Signature]</i>	10/19/72		
MATERIAL			
FINISH			
THE TECHNICAL MATERIEL CORP. MAMARONECK, NEW YORK			
METER, MILLIAMP			
SIZE	CODE IDENT. NO.	DWG NO.	ISSUE
B	82679	MR 232	Ø
SCALE			SHEET OF
			1

QTY / UNIT	MODEL USED ON	ASSY NO.
1	TMA350	
APPLICATION		
CODE		
NOTICE TO PERSONS RECEIVING THIS DRAWING		
THE TECHNICAL MATERIEL CORPORATION claims proprietary right in the material disclosed hereon. This drawing is issued in confidence for engineering information only and may not be reproduced or used to manufacture anything shown hereon without permission from THE TECHNICAL MATERIEL CORPORATION to the user. This drawing is loaned for mutual assistance and is subject to recall at any time.		

5 4 3 2 1