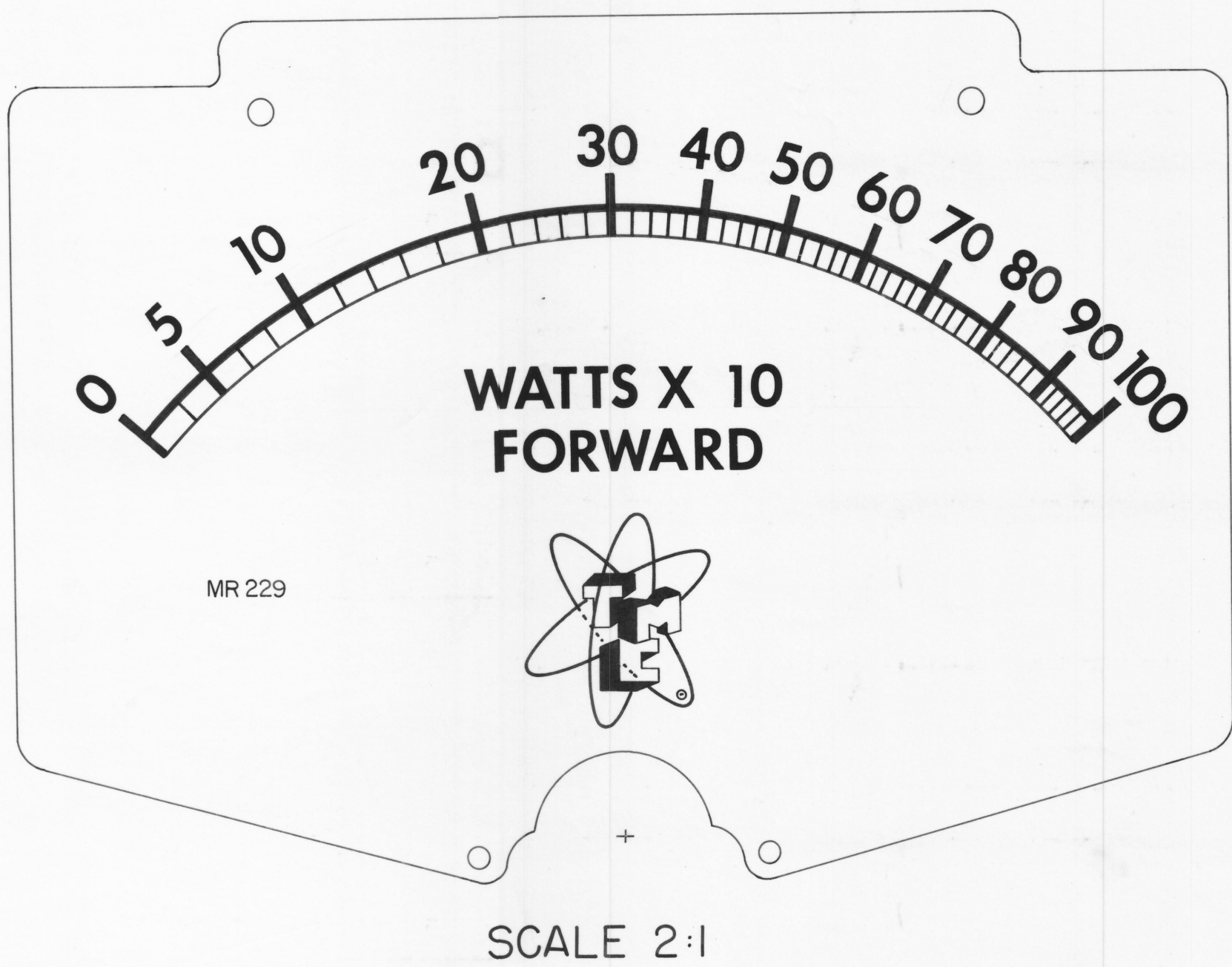
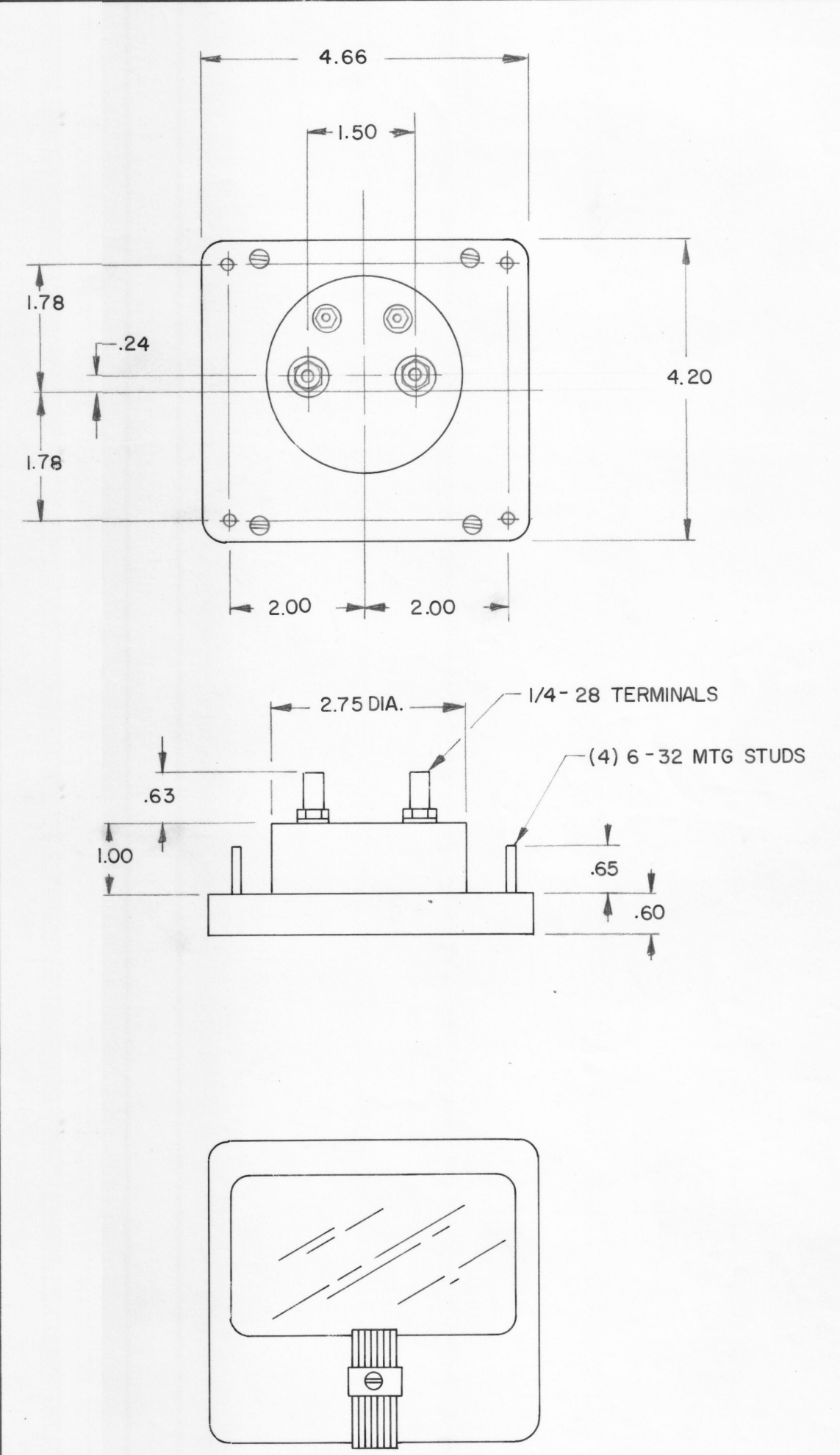


					REVISIONS		
E.M.N.NO	DRAFT	CHKD	ZONE	LTR	DESCRIPTION	DATE	APPROVED
	W			Ø	ORIGINAL RELEASE FOR PRODUCTION	3/10/72	



NOTE: THIS METER DIAL HAS BEEN DRAWN TO SCALE (2X). THE ORIGINAL ART WORK SHOULD BE OBTAINED FROM TMC FOR PHOTOGRAPHING. METER MUST BE CALIBRATED TO CALIBRATION CURVE.



SPECIFICATIONS

CASE: STANDARD COMMERCIAL RECTANGULAR 4-1/2.
 FINISH: GLOSSY BLACK
 MOVEMENT -0-100 MICROAMPS ±2%
 RESISTANCE: 1825Ω ±2%
 POINTER: SPADE TYPE
 ACCURACY: 2% FULL SCALE
 ALL LETTERING & LINWORK TO BE IN BLACK AS SHOWN.

HARDWARE: (SUPPLIED BY MFG) ② 1/4 LOCKWASHERS, ② 1/4-28 HEXAGON NUTS FOR TERMINALS, ④ 6-32 LOCK-WASHERS, ④ 6-32 HEXAGON NUTS FOR MOUNTING.

QTY / UNIT	MODEL USED ON	ASS'Y NO.
1	TPM-1K	
APPLICATION		
	CODE	

NOTICE TO PERSONS RECEIVING THIS DRAWING
 THE TECHNICAL MATERIEL CORPORATION claims proprietary right in the material disclosed hereon. This drawing is issued in confidence for engineering information only and may not be reproduced or used to manufacture anything shown hereon without permission from THE TECHNICAL MATERIEL CORPORATION to the user. This drawing is loaned for mutual assistance and is subject to recall at any time.

UNLESS OTHERWISE SPECIFIED DIMENSIONS ARE IN INCHES AND INCLUDE CHEMICALLY APPLIED OR PLATED FINISHES	
TOLERANCES ON DECIMALS .X ± .05 .XX ± .01 .XXX ± .005	FRACTIONS ± 1/64 ANGLES ± 0° -30'

QTY. REQ.	ITEM	PART NO.	DESCRIPTION	SYMBOL
LIST OF MATERIAL				
THE TECHNICAL MATERIEL CORP. MAMARONECK, NEW YORK				
METER, WATTS FORWARD				
SIZE	CODE	IDENT NO.	DWG NO.	ISSUE
C	82679		MR 229	Ø
SCALE 2:1				SHEET OF