

APPLICATION

REVISIONS

QTY	MODEL USED ON	ASS'Y NO.	LTR	DESCRIPTION	DATE	E.M.N.NO	DRAFT	CHKD	APPD
	LPA-2		X	EXPERIMENTAL RELEASE	2/12/68		C.V.		<i>[Signature]</i>
			Ø	ORIGINAL RELEASE FOR PROD.	2/21/68		C.V.		<i>[Signature]</i>
			A	MR201-3 ADDED	5/16/68	18928	C.V.		VFB
			B	MR201-4 ADDED	2/17/69	19275	C.V.		F.B.

TMC P/N	MFGR P/N	DESCRIPTION
MR201-1	250 PI-M	0-1A
-2	250 PI-M	0-1MA
-3	250 PI-C	0-1A
-4	250 PI-C	0-1MA

NOTE: SPECIFY TYPE COVER AND METER FACE WHEN ORDERING.

PURCHASING NOTE: VENDOR MUST INCLUDE THE FOLLOWING INFORMATION WHEN SHIPPING THIS ITEM TO TMC.

1. AN OUTLINE DRAWING OR ILLUSTRATION FROM CATALOG SHOWING ALL PERTINENT DIMENSIONS AND TOLERANCES.
2. ELECTRICAL AND/OR MECHANICAL SPECIFICATIONS AS SHOWN IN THEIR CATALOGS

UNLESS OTHERWISE SPECIFIED DIMENSIONS ARE IN INCHES AND INCLUDE CHEMICALLY APPLIED OR PLATED FINISHES

DECIMALS
.X ± .05
.XX ± .01
.XXX ± .005

FRACTIONS
1/64
ANGLES
0°-30'

REQ'D	ITEM	PART NUMBER	DESCRIPTION	SYM.
	F. BUDETTI		LIST OF MATERIAL	
FINAL APPROVAL	<i>[Signature]</i>	DATE 2/19/68	THE TECHNICAL MATERIEL CORP.	
MECH. DES.		DATE	MAMARONECK, NEW YORK	
ELECT. DES.	<i>[Signature]</i>	DATE 2/19/68	METER, DC	
CHECKED		DATE		
DRAWN	C.V.	DATE 2-16-68		
S401-432				
FINISH				
SIZE		CODE IDENT. NO.	DWG NO.	ISSUE
A		82679	MR 201	B
SCALE			SHEET	OF

NOTICE TO PERSONS RECEIVING THIS DRAWING

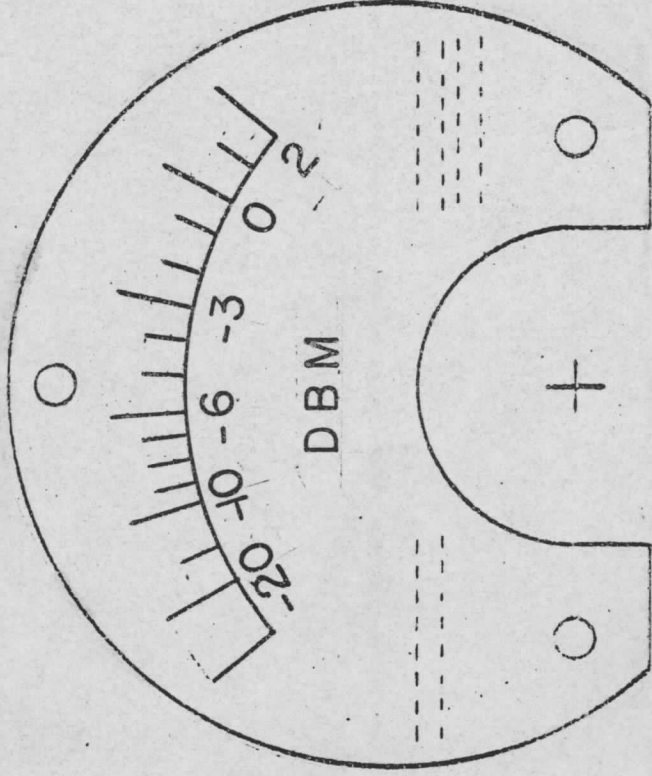
THE TECHNICAL MATERIEL CORPORATION claims proprietary right in the material disclosed hereon. This drawing is issued in confidence for engineering information only and may not be reproduced or used to manufacture anything shown hereon without permission from THE TECHNICAL MATERIEL CORPORATION to the user. This drawing is loaned for mutual assistance and is subject to recall at any time.

APPLICATION

REVISIONS

QTY	MODEL USED ON	ASSY NO.	LTR	DESCRIPTION	DATE	E.M.N.NO	DRAFT	CHKD	APPD
	MSAR-4		X	EXPERIMENTAL RELEASE	10/23/68		C.V.		
			Ø	ORIG. RELEASE FOR PROD.	10-23-68		Ø	R.G.	

REF: MFR SCALE CUT #10-0163-116A



MFR (TMC CODE NO.): S401-467
MFR PART NUMBER: 9-0163-008

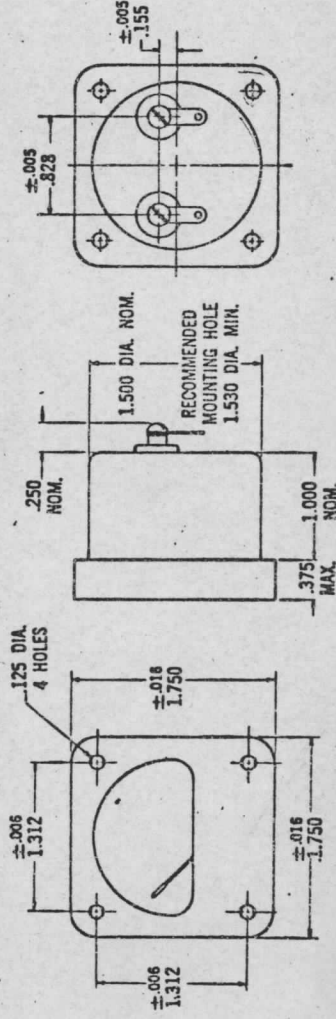
SPECIFICATIONS

MODEL: 163 (1-1/2" METER)

MOVEMENT: 500 uA

(2 DBM IS EQUIVALENT TO 500 uA)

DIAL FACE: BLACK PRINTING



MARKING	DEGREES ON SCALE
0	0
-20	6.5°
-15	11.4°
-10	20°
-9	22.6°
-8	25.25°
-7	28.25°
-6	32.2°
-5	35.75°
-4	40.25°
-3	45.1°
-2	50.5°
-1	56.85°
0	63.5°
1	70.75°
2	78.75°

UNLESS OTHERWISE SPECIFIED
DIMENSIONS ARE IN INCHES
AND INCLUDE CHEMICALLY APPLIED
OR PLATED FINISHES

DECIMALS FRACTIONS
.X ± .05 TOLS. 1/64
.XX ± .01 ANGLES
.XXX ± .005 0°-30'

MATERIAL

FINISH

REQ'D ITEM	PART NUMBER	DESCRIPTION	SYM.
LIST OF MATERIAL			
THE TECHNICAL MATERIEL CORP.			
MAMARONECK, NEW YORK			
METER, DBM			
FINAL APPROVAL	DATE	DATE	DATE
<i>[Signature]</i>	10/23/68	10/23/68	10/23/68
MÉCH. DES.	DATE	DATE	DATE
<i>[Signature]</i>	10/23/68	10/23/68	10/23/68
ELECT. DES.	DATE	DATE	DATE
<i>[Signature]</i>	10/23/68	10/23/68	10/23/68
CHECKED	DATE	DATE	DATE
<i>[Signature]</i>	10/23/68	10/23/68	10/23/68
DRAWN	DATE	DATE	DATE
<i>[Signature]</i>	10/23/68	10/23/68	10/23/68
SIZE	CODE IDENT. NO.	DWG NO.	ISSUE
A	82679	MR 204	
SCALE		SHEET	OF

NOTICE TO PERSONS RECEIVING THIS DRAWING
THE TECHNICAL MATERIEL CORPORATION claims proprietary right in the material disclosed hereon. This drawing is issued in confidence for engineering information only and may not be reproduced or used to manufacture anything shown hereon without permission from THE TECHNICAL MATERIEL CORPORATION to the user. This drawing is loaned for mutual assistance and is subject to recall at any time.

APPLICATION

QTY MODEL USED ON ASS'Y NO. LTR

HFRR-4

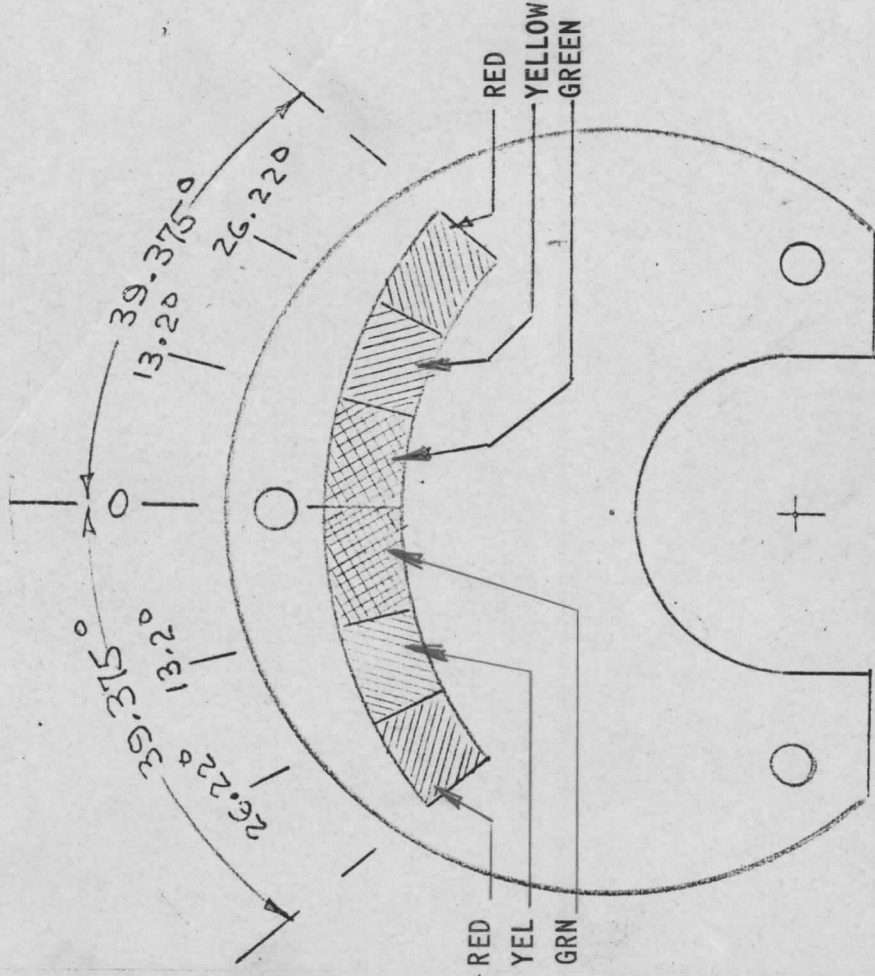
X
Ø
A

DESCRIPTION

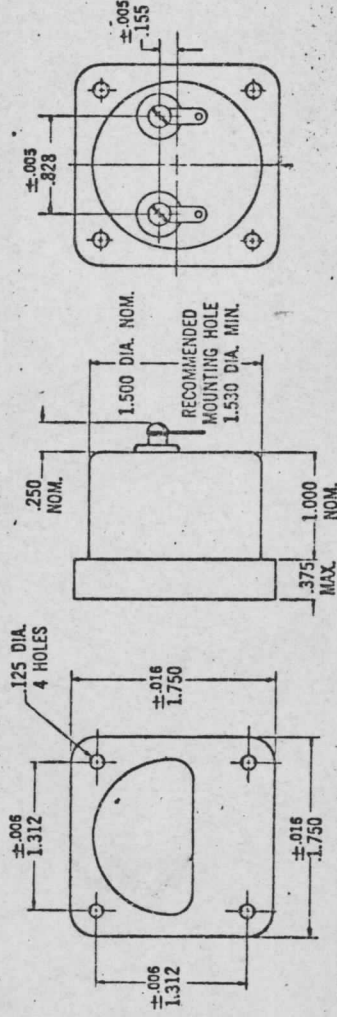
EXPERIMENTAL RELEASE
ORIG. RELEASE FOR PROD.
A NEEDLE DELETED

REVISIONS

DATE	E.M.N.NO	DRAFT	CHKD	APPD
10/23/68	X	C.Y.	J.D.	
10/25/68	Ø	R.G.		
12/23/68	19126	K.H.	J.D.	



REF: MFR SCALE CUT #10-0163-117A



UNLESS OTHERWISE SPECIFIED DIMENSIONS ARE IN INCHES AND INCLUDE CHEMICALLY APPLIED OR PLATED FINISHES

DECIMALS .X ± .05
.XX ± .01
.XXX ± .005

FRACTIONS 1/64
TOLS. ANGLES 0°-30°

REQ'D ITEM

POSE

FINAL APPROVAL

JAD

MECH. DES.

DATE 10/23/68

ELECT. DES.

DATE 10/23/68

CHECKED

DATE 10/23/68

DRAWN

DATE 10/23/68

PART NUMBER

DESCRIPTION

SYM.

LIST OF MATERIAL

THE TECHNICAL MATERIEL CORP.
MAMARONECK, NEW YORK

METER, PHASE, COMPARATOR

NOTICE TO PERSONS RECEIVING THIS DRAWING
THE TECHNICAL MATERIEL CORPORATION claims proprietary right in the material disclosed hereon. This drawing is issued in confidence for engineering information only and may not be reproduced or used to manufacture anything shown hereon without permission from THE TECHNICAL MATERIEL CORPORATION to the user. This drawing is loaned for mutual assistance and is subject to recall at any time.

SIZE CODE IDENT. NO. DWG NO.

A 82679

MR 206

ISSUE

A

SCALE

SHEET

OF

APPLICATION REVISIONS

QTY	MODEL USED ON	ASSY NO.	LTR	DESCRIPTION	DATE	E.M.N.NO	DRAFT	CHKD	APPD
-----	---------------	----------	-----	-------------	------	----------	-------	------	------

Case ~ Standard Simpson No 27
 (REF SEE MR141 Case Only)
 METER FACE ~ LD

UNLESS OTHERWISE SPECIFIED DIMENSIONS ARE IN INCHES AND INCLUDE CHEMICALLY APPLIED OR PLATED FINISHES	REQ'D	ITEM	PART NUMBER	DESCRIPTION	SYM.
DECIMALS .X ± .05 TOLS. 1/64 .XX ± .01 ANGLES .XXX ± .005 0° - 30'	LIST OF MATERIAL				
	THE TECHNICAL MATERIEL CORP. MAMARONECK, NEW YORK				
MATERIAL				METER, Reflected, SWR	
FINISH					
NOTICE TO PERSONS RECEIVING THIS DRAWING THE TECHNICAL MATERIEL CORPORATION claims proprietary right in the material disclosed hereon. This drawing is issued in confidence for engineering information only and may not be reproduced or used to manufacture anything shown hereon without permission from THE TECHNICAL MATERIEL CORPORATION to the user. This drawing is loaned for mutual assistance and is subject to recall at any time.				SIZE	ISSUE
				A	MR 240
SCALE				DWG NO.	OF
				82679	SHEET

APPLICATION

REVISIONS

QTY	MODEL USED ON	ASS'Y NO.	LTR	DESCRIPTION	DATE	E.M.N.NO	DRAFT	CHKD	APPD

Case ~ Standard Simpson No 27
 (REF SEE MR141 Case Only)

Meter Face ~ LD

UNLESS OTHERWISE SPECIFIED
 DIMENSIONS ARE IN INCHES
 AND INCLUDE CHEMICALLY APPLIED
 OR PLATED FINISHES

DECIMALS
 X ± .05
 .XX ± .01
 .XXX ± .005

FRACTIONS
 1/64

TOLS.
 ANGLES
 0° .30'

MATERIAL

FINISH

REQ'D	ITEM	PART NUMBER	DESCRIPTION	SYM.
LIST OF MATERIAL				
FINAL APPROVAL		DATE	THE TECHNICAL MATERIEL CORP. MAMARONECK, NEW YORK METER, KW	
MECH. DES.	DATE			
ELECT. DES.	DATE			
CHECKED	DATE			
DRAWN	DATE			
SIZE		CODE IDENT. NO.	DWG NO.	ISSUE
A		82679	MR241	
SCALE			SHEET	OF

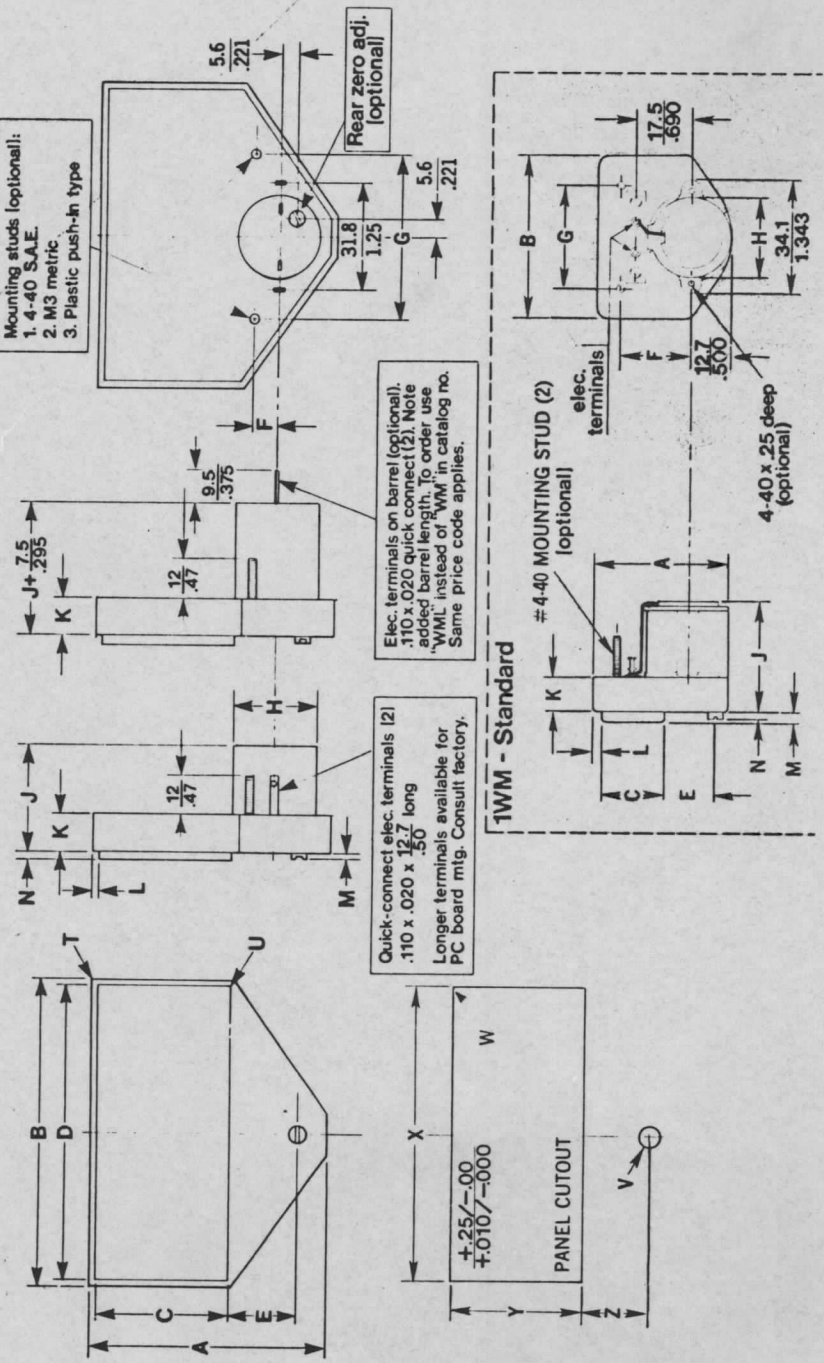
NOTICE TO PERSONS RECEIVING THIS DRAWING
 THE TECHNICAL MATERIEL CORPORATION claims proprietary right in the material disclosed hereon. This drawing is issued in confidence for engineering information only and may not be reproduced or used to manufacture anything shown hereon without permission from THE TECHNICAL MATERIEL CORPORATION to the user. This drawing is loaned for mutual assistance and is subject to recall at any time.

APPLICATION

REVISIONS

QTY	MODEL USED ON	ASSY NO.	LTR	DESCRIPTION	DATE	E.M.N.NO	DRAFT	CHKD	APPD
-----	---------------	----------	-----	-------------	------	----------	-------	------	------

1 MMX-A 5845



Mounting studs (optional):
 1. 4-40 S.A.E.
 2. M3 metric
 3. Plastic push-in type

Quick-connect elec. terminals (2)
 .110 x .020 x 12.7 long
 Longer terminals available for
 PC board mtg. Consult factory.

Elec. terminals on barrel (optional).
 .110 x .020 quick connect (2). Note
 added barrel length. To order use
 "WML" instead of "WM" in catalog no.
 Same price code applies.

(REF)

REF S401-S34 MARKING, DIAL METER TMC DWG LD 3160

	A	B	C	D	E	F	G	H	J	K	L	M	N	T	U	V	W	X	Y	Z
1 1/2 in.	41.7	50.3	21.6	46.0	13.2	22.2	31.7	25.4	31.7	10.7	2.8	2.9	1.8	4.8R	1.5R	5.2 DIA	1.2R	46.4	21.8	13.1
	1.64	1.98	.850	1.82	.52	.875	1.25	1.00	1.25	.42	.110	.115	.072	.19R	.06R	.205 DIA	.046R	1.825	.860	.515

REQ'D ITEM	PART NUMBER	DESCRIPTION	SYM.
LIST OF MATERIAL			
THE TECHNICAL MATERIEL CORP. MAMARONECK, NEW YORK			
FINAL APPROVAL	DATE		
MECH. DES.	DATE		
ELECT. DES.	DATE		
CHECKED	DATE		
DRAWN	DATE		

METER, OUTPUT

NOTICE TO PERSONS RECEIVING THIS DRAWING THE TECHNICAL MATERIEL CORPORATION claims proprietary right in the material disclosed hereon. This drawing is issued in confidence for engineering information only and may not be reproduced or used to manufacture anything shown hereon without permission from THE TECHNICAL MATERIEL CORPORATION to the user. This drawing is loaned for mutual assistance and is subject to recall at any time.		SIZE	CODE IDENT. NO.	DWG NO.	ISSUE
A	82679		MR 242		
SCALE		SHEET	OF		

IF IT IS FOUND DESIRABLE TO CHANGE ANY TOLERANCE OR OTHER DETAIL SPECIFIED ON THIS DRAWING NOTIFY THE PURCHASER PROMPTLY.

STANDARD DRAWING

MR10001

MAXIMUM ALLOWABLE TOLERANCES HAVE BEEN DETERMINED AND DEVIATIONS WILL BE CAUSE FOR REJECTION. REMOVE ALL BURRS AND SHARP EDGES

USED ON

MODEL

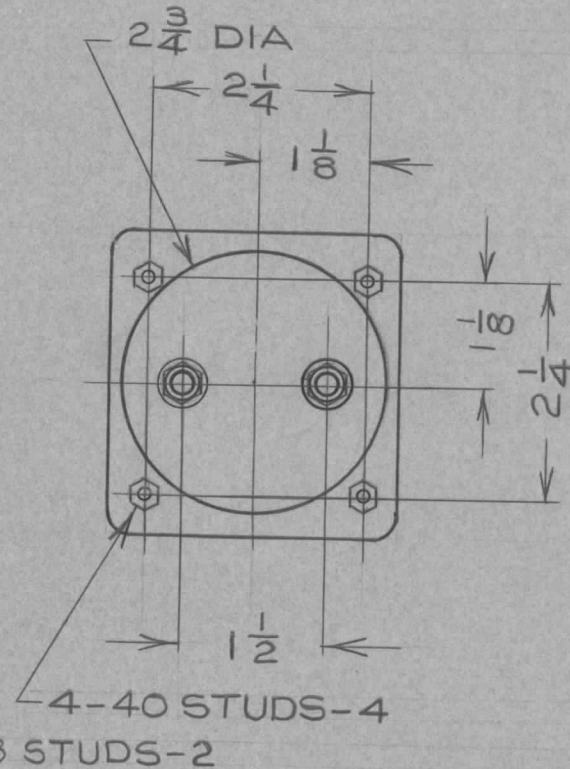
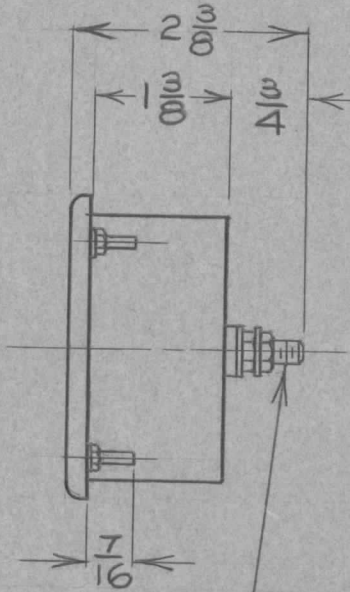
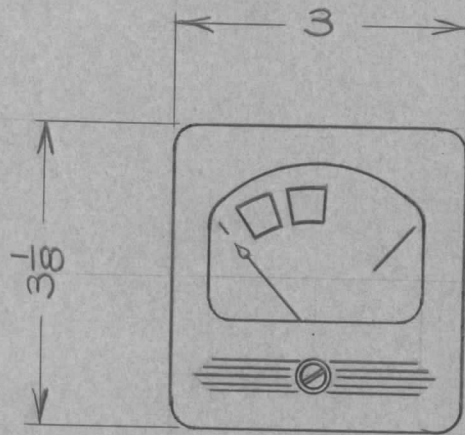
PROJECT NO.

ASS'Y. NO.

DATE

AMC6-5 CE646

MAY 26
1959



REF: BACH-SIMPSON
MODEL 27
0-25 UA
SPEC 2E3-10
SPECIAL 2 COLOR SCALE
(SEE DWG NP10027)

REQ.	ITEM	PART NO.	DESCRIPTION	SYMBOL
			TMC (Canada) LIMITED OTTAWA ONTARIO	
STOCK SIZE				
			METER 0-25 UA	
MATERIAL				
			DCM	
WEIGHT PER PC.				
TYPE & TEMPER			DRAWN	M. G.
			ELEC. DES. APP.	MECH. DES. APP.
HEAT TREAT. SPEC.			CHECKED	FINAL APPROVAL
FINISH & SPEC. NO.			MR10001	

ISSUE	ITEM	CHANGED FROM	DATE	CN. NO.	DRAFTS	CHECKER	ENG. APP.

TOLERANCES

SCALE 1:2

ALL OTHERS

DEC. DIM. ± —
FRAC. DIM. ± —
ANGULAR DIM. ± —

DRILL, PUNCH, COMMERCIAL STOCK SIZES AND MANUFACTURERS TOLERANCES ARE NOT INCLUDED.