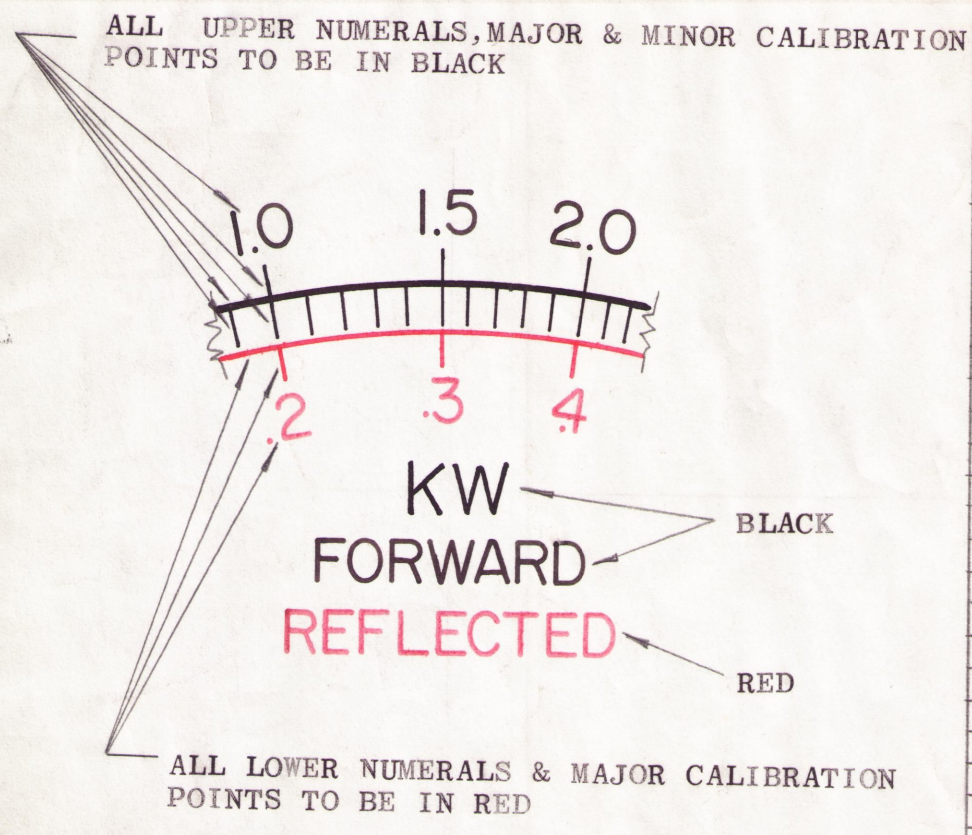


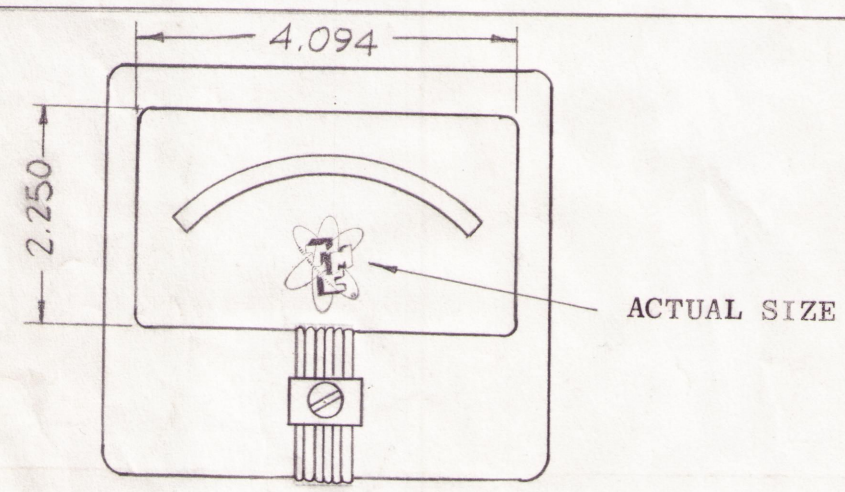
SYM	DESCRIPTION	DATE	E.M.N. NO.	DRAFT	CHKD	APPD
X	EXP. RELEASE	9-22-66	X		ag	ag
Ø	ORIGINAL RELEASE FOR PRODUCTION	9/23/67	Ø		CV	

0-5.0/1.0KW DIAL DATA FOR SIMPSON 29 METER
 BIRD MODEL 423 THRU LINE WATTMETER
 (METER IS 100 MICROAMPERES ±2% WITH 1825 OHMS RESISTANCE)

5000 WATTS	1000 WATTS	MICROAMPERES	5000 WATTS	1000 WATTS	MICROAMPERES
0	0	0			
100	20	6.0	2600	520	67.4
200	40	11.2	2700	540	68.9
300	60	15.9	2800	560	70.4
400	80	20.1	2900	580	71.9
500	100	24.0	3000	600	73.4
600	120	27.3	3100	620	74.8
700	140	30.3	3200	640	76.2
800	160	33.1	3300	660	77.6
900	180	35.8	3400	680	79.0
1000	200	38.4	3500	700	80.4
1100	220	40.8	3600	720	81.8
1200	240	43.1	3700	740	83.2
1300	260	45.2	2800	760	84.6
1400	280	47.2	3900	780	86.0
1500	300	49.2	4000	800	87.3
1600	320	51.1	4100	820	88.6
1700	340	52.9	4200	840	89.9
1800	360	54.7	4300	860	91.2
1900	380	56.4	4400	880	92.5
2000	400	58.1	4500	900	93.8
2100	420	59.7	4600	920	95.1
2200	440	61.3	4700	940	96.4
2300	460	62.9	4800	960	97.6
2400	480	64.4	4900	980	98.8
2500	500	65.9	5000	1000	100



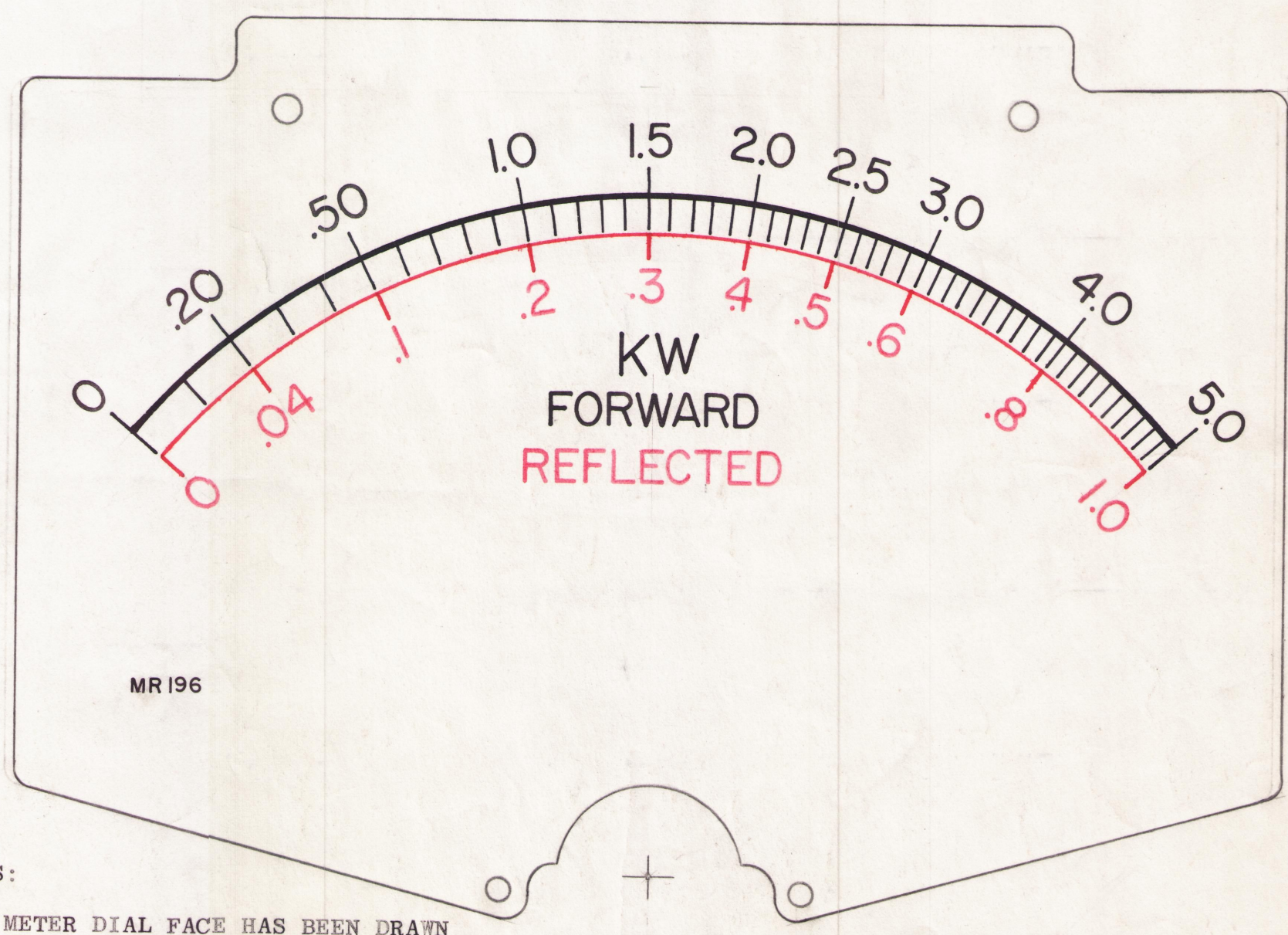
DETAIL-METER



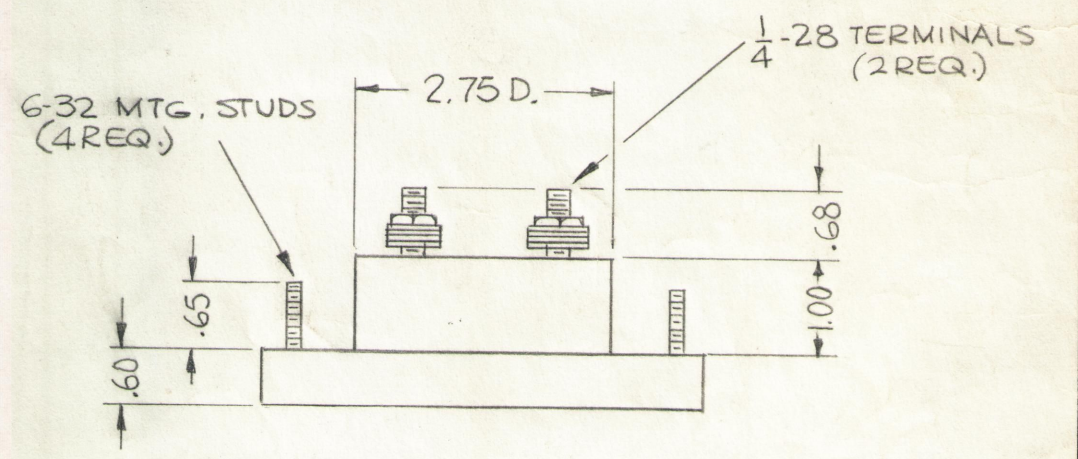
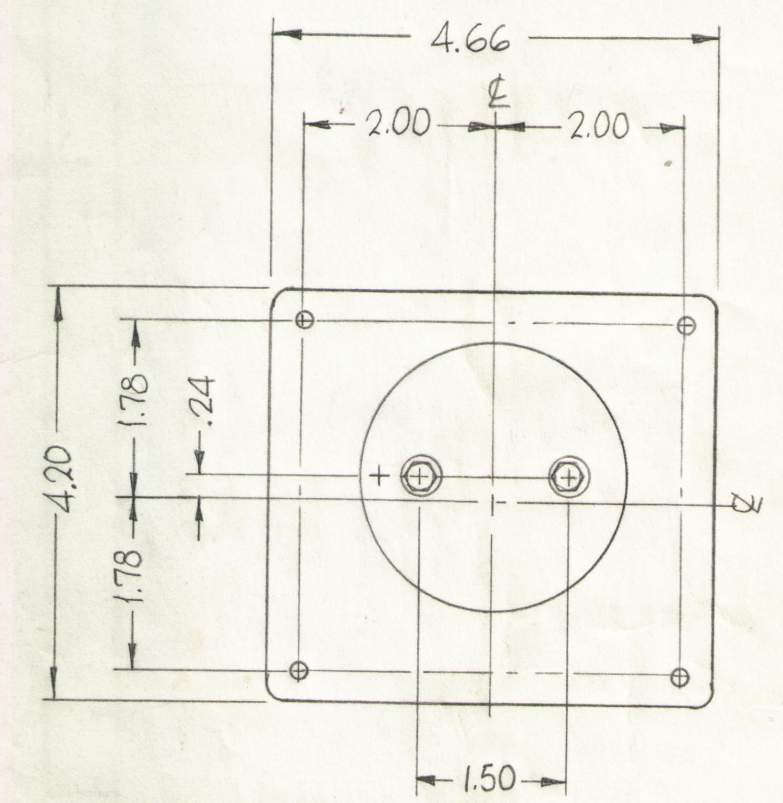
INSERT TMC INSIGNIA (NP117) IN PLACE OF WORD SIMPSON, ... COLOR, TO BE BLACK, INSIGNIA CENTERED.

SPECIFICATIONS:
 CASE: STANDARD COMMERCIAL RECTANGULAR 4-1/2" PLASTIC.
 FINISH: GLOSSY BLACK
 MOVEMENT: 0-100 MICROAMPS ±2%
 APPROXIMATE RESISTANCE: 1825Ω
 POINTER: SPADE TYPE
 HARDWARE: (2) FLAT WASHER, (2) 1/4-28 HEX NUTS FOR TERMINALS, (4) LOCKWASHERS, (4) 6-32 HEXAGON NUTS FOR MOUNTING, SUPPLIED BY MANUFACTURER.

DESIGNED FOR USE WITH THRU LINE DIRECTIONAL WATT-METER TMC #DC 106



NOTES:
 THIS METER DIAL FACE HAS BEEN DRAWN TO SCALE (2X).
 THE ORIGINAL ARTWORK TO BE SUPPLIED BY TMC FOR PHOTOGRAPHING.
 METER MUST BE CALIBRATED TO CALIBRATION CURVE.



REQ'D.	ITEM	PART NUMBER	DESCRIPTION	SYMBOL
F. BUDETTI LIST OF MATERIAL				
MATERIAL			THE TECHNICAL MATERIEL CORP. MAMARONECK, NEW YORK	
FINISH			METER, KW, FORWARD, REFLECTED	
UNLESS OTHERWISE SPECIFIED DIMENSIONS ARE IN INCHES AND INCLUDE CHEMICALLY APPLIED OR PLATED FINISHES		DRAWN: [Signature] DATE: 7-22-66		
TOLERANCES		CHECKED: [Signature] DATE: 12/2/66		
DECIMALS ±.05		ELECT. DES. DATE: [Signature]		
FRACTIONS ± 1/64		MECH. DES. DATE: [Signature]		
ANGLES ± 30'		DATE: [Signature]		
REV. LTR.		SHEET: MR196		

Q'TY./UNIT	MODEL USED ON	ASS'Y. NO.
1	SWCB-3K	
SCALE 2:1	CODE C	

THE CONTENTS OF THIS DRAWING ARE THE EXCLUSIVE PROPERTY OF THE TECHNICAL MATERIEL CORP. ITS UNAUTHORIZED USE OR REPRODUCTION IN WHOLE OR IN PART IS STRICTLY FORBIDDEN.

MR196