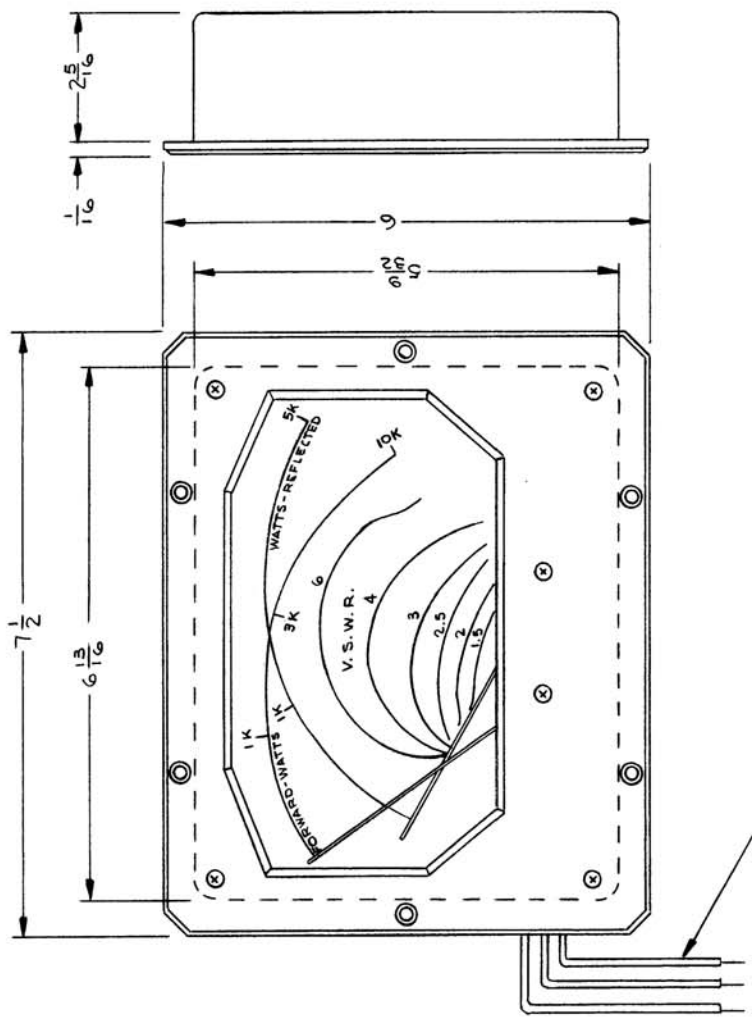


| SYMBOL | | DESCRIPTION | | DATE | | E.M.N. NO. | | DRAFT | | CHKD | | APPD | |
|--------|--|---------------------------------|--|---------|---|------------|--|-------|--|------|--|------|--|
| Ø | | ORIGINAL RELEASE FOR PRODUCTION | | 3/14/66 | Ø | HLA | | | | | | | |

MR188



LEADS APPROXIMATELY 16" LG

MECHANICAL DATA

CASE: BLK BAKELITE
 FRONT PLATE: ALUMINUM, BLK GLOSS ENAMEL FINISH
 SCALE COLORS: FORWARD WATTS-BLACK
 REFLECTED WATTS-RED
 VSWR-BLUE

ELECTRICAL DATA

RESISTANCE: BLK/BLUE LEADS-1700 Ω ± 20%
 BLK/RED LEADS-1700 Ω ± 20%
 RANGE: 0-100 μA ± 2%

| REQD. | ITEM | PART NUMBER | DESCRIPTION | SYMBOL |
|-------|------|-------------|---|--------|
| | | | LIST OF MATERIAL | |
| | | | BUDETTI | |
| | | | MATERIAL | |
| | | | FINISH | |
| | | | TITLE | |
| | | | THE TECHNICAL MATERIEL CORP. MAMARONECK, NEW YORK | |
| | | | METER, STANDING WAVE RATIO | |
| | | | UNLESS OTHERWISE SPECIFIED DIMENSIONS ARE IN INCHES AND INCLUDE CHEMICALLY APPLIED OR PLATED FINISHES | |
| | | | FRACTIONS ± 1/64 | |
| | | | TOLERANCES ± 0° 30' | |
| | | | DECIMALS ± .01 | |
| | | | ANGLES ± 0° 30' | |
| | | | ± .005 | |
| | | | DATE | |
| | | | 3/2/66 | |
| | | | DATE | |
| | | | 3-3-66 | |
| | | | DATE | |
| | | | 2-11-66 | |
| | | | DATE | |
| | | | MR188 | |
| | | | SHEET | |
| | | | REV. LTR. | |
| | | | Ø | |

| | | | | |
|-----------|-------|---------------|------------|-----------|
| QTY./UNIT | SCALE | MODEL USED ON | CODE | ASBY. NO. |
| 1 | | SWR-10K/SOU | 8A1509-10K | |

NOTES

THE CONTENTS OF THIS DRAWING ARE THE EXCLUSIVE PROPERTY OF THE TECHNICAL MATERIEL CORP. ITS UNAUTHORIZED USE OR REPRODUCTION IN WHOLE OR IN PART IS STRICTLY FORBIDDEN.