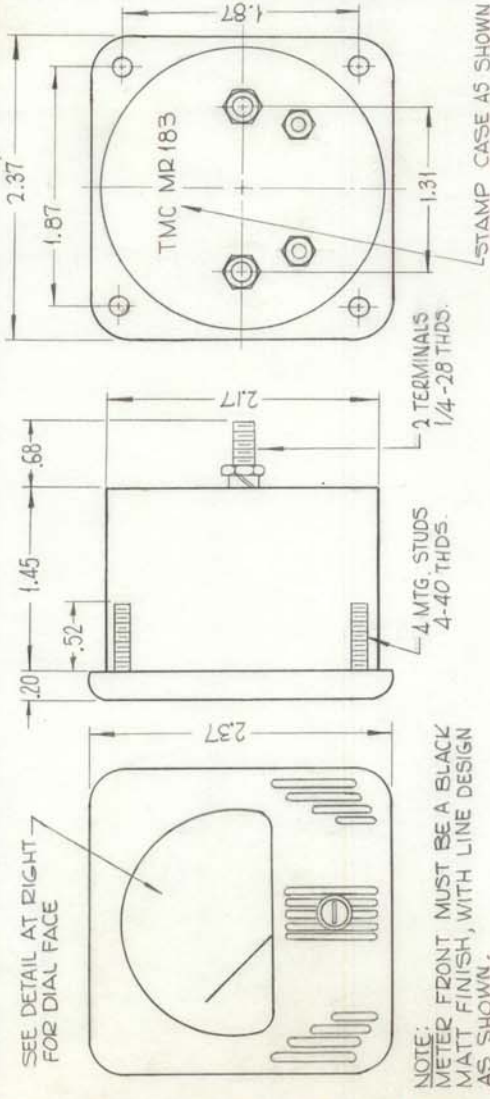


REVISIONS

SYM	DESCRIPTION	DATE	E.M.N. NO.	DRAFT	CHKD	APPD
X	EXPERIMENTAL RELEASE	7-5-64		SRG		
Ø	ORIGINAL RELEASE FOR PRODUCTION	10-6-64	Ø	SRG		

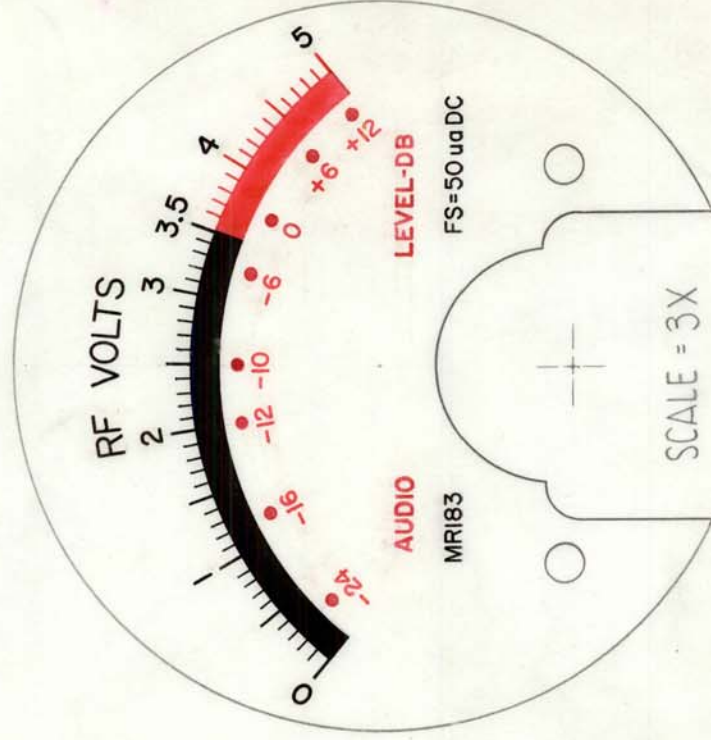
Ø MR183

SPECIFICATIONS:
 CASE ~ STANDARD SIMPSON N# 127.
 MOVEMENT ~ 0-50 uD.
 APPROX. RESISTANCE ~ 2K.
 POINTED TYPE ~ KNIFE EDGE.
 ALL NECESSARY MOUNTING & TERMINAL HARDWARE SUPPLIED BY MFG.



NOTE:
 METER FRONT MUST BE A BLACK MATT FINISH, WITH LINE DESIGN AS SHOWN.

- NOTES:**
- 1~ ALL LETTERS, NUMBERS & DOTS BELOW SCALE ARE IN RED.
 - 2~ SCALE ABOVE 3.5VRF IS RED.
 - 3~ SCALE BELOW 3.5VRF IS BLACK.
 - 4~ ALL LETTERS, NUMBERS & GRADUATIONS ABOVE SCALE ARE IN BLACK.
 - 5~ TMC INSIGNIA IN BLACK (NP 117)
 - 6~ BACKGROUND TO BE WHITE.



ORIGINAL ARTWORK TO BE SUPPLIED BY TMC FOR PHOTOGRAPHING (SCALE)

REQD.	ITEM	PART NUMBER	DESCRIPTION	SYMBOL
	T. AALTONEN		LIST OF MATERIAL	
	MATERIAL		THE TECHNICAL MATERIEL CORP. MAMARONECK, NEW YORK	
	FINISH		METER, AF/RF	

DATE	DATE	DATE	DATE	DATE
7-5-64	7-5-64	7-5-64	7-5-64	7-5-64
10-6-64	10-6-64	10-6-64	10-6-64	10-6-64

DRAWN	CHECKED	ELECT. DES.	MECH. DES.	DATE	DATE	DATE	DATE	DATE
SRG	Ø	Ø	Ø	7-5-64	10-6-64	10-6-64	10-6-64	10-6-64

UNLESS OTHERWISE SPECIFIED	DIMENSIONS ARE IN INCHES AND INCLUDE	FRACTIONS	TOLERANCES
	CHEMICALLY APPLIED OR PLATED FINISHES	INCHES	± .0030/
		MILLIMETERS	

QTY/UNIT	SCALE	MODEL USED ON	APP'Y. NO.
1	SME-1		

NOTES

THE CONTENTS OF THIS DRAWING ARE THE EXCLUSIVE PROPERTY OF THE TECHNICAL MATERIEL CORP. ITS UNAUTHORIZED USE OR REPRODUCTION IN WHOLE OR IN PART IS STRICTLY FORBIDDEN.