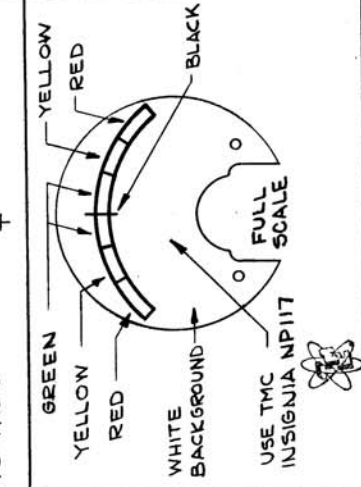
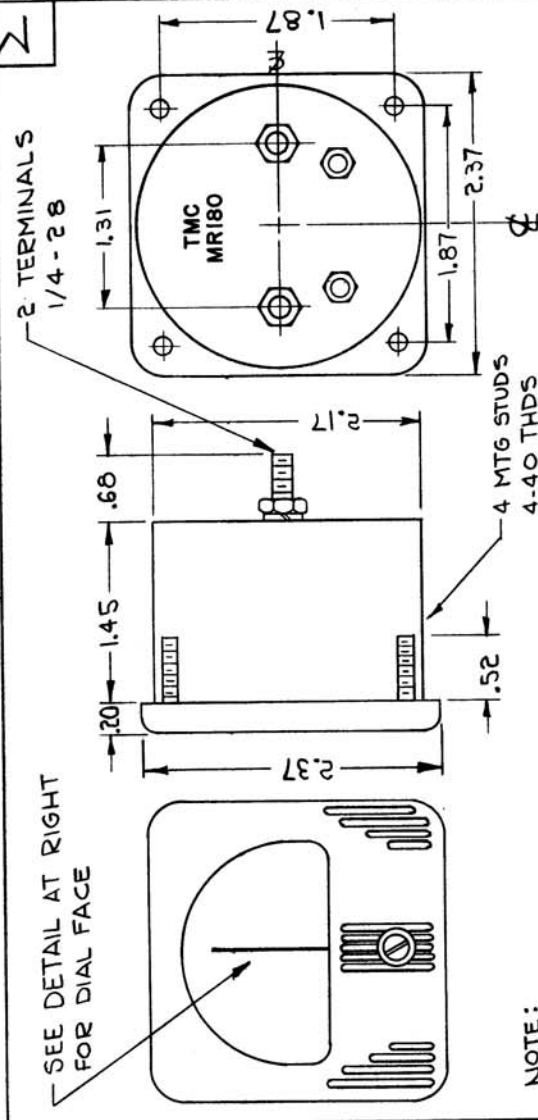


BYM	DESCRIPTION	DATE	E.M.N. NO.	DRAFT	CHKD	APPD
X	EXPER. RELEASE	8-13-64	X			
Q	ORIGINAL RELEASE FOR PRODUCTION	8-13-64	Q			
A	ON SPECS. MOVEMENT WAS 25-0-25 MA	9-15-64	12358	MTB		

MR180

ALL NECESSARY MOUNTING AND TERMINAL HARDWARE TO BE SUPPLIED BY MFGR.

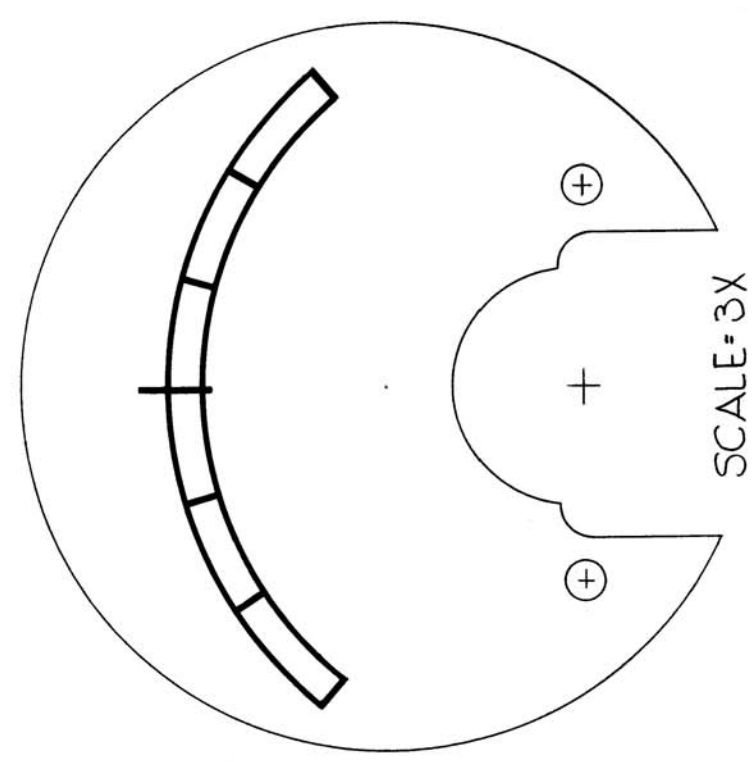
SPECIFICATIONS
 CASE: STANDARD SIMPSON #127
 MOVEMENT: 25-0-25 μ A
 APPROX. RESISTANCE: 2000 OHMS
 POINTER TYPE: KNIFE EDGE.



QTY/UNIT	1	LFCA-1	ASBY. NO.
SCALE	3:1	MODEL USED ON	5401-44

THE CONTENTS OF THIS DRAWING ARE THE EXCLUSIVE PROPERTY OF THE TECHNICAL MATERIAL CORP. ITS UNAUTHORIZED USE OR REPRODUCTION IN WHOLE OR IN PART IS STRICTLY FORBIDDEN.

NOTES
 ORIGINAL ARTWORK TO BE SUPPLIED BY TMC FOR PHOTOGRAPHING (SCALE = 3X)



RECD.	ITEM	PART NUMBER	DESCRIPTION	SYMBOL
	GELLMAN		LIST OF MATERIAL	
			THE TECHNICAL MATERIAL CORP. MAMARONECK, NEW YORK	
FINISH				
			SEE NOTE	
TITLE				
			METER, INDICATOR DRIFT PHASE COMPARTOR	
DATE	APPROVAL	DATE	FINAL APPROVAL	DATE
8-13-64	[Signature]	8-13-64	[Signature]	
8-13-64	[Signature]	8-13-64	[Signature]	
8-13-64	[Signature]	8-13-64	[Signature]	
			MECH. DES.	
			MR180	A
			SHEET	
			REV. LTR.	