

7

6

5

4

3

2

1

H

G

F

E

D

C

B

A

H

G

F

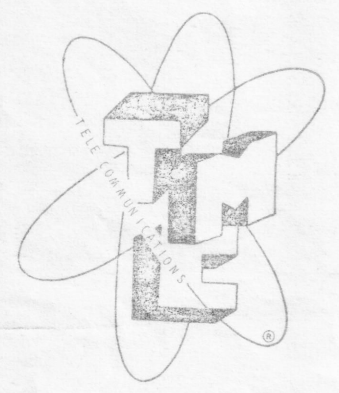
E

D

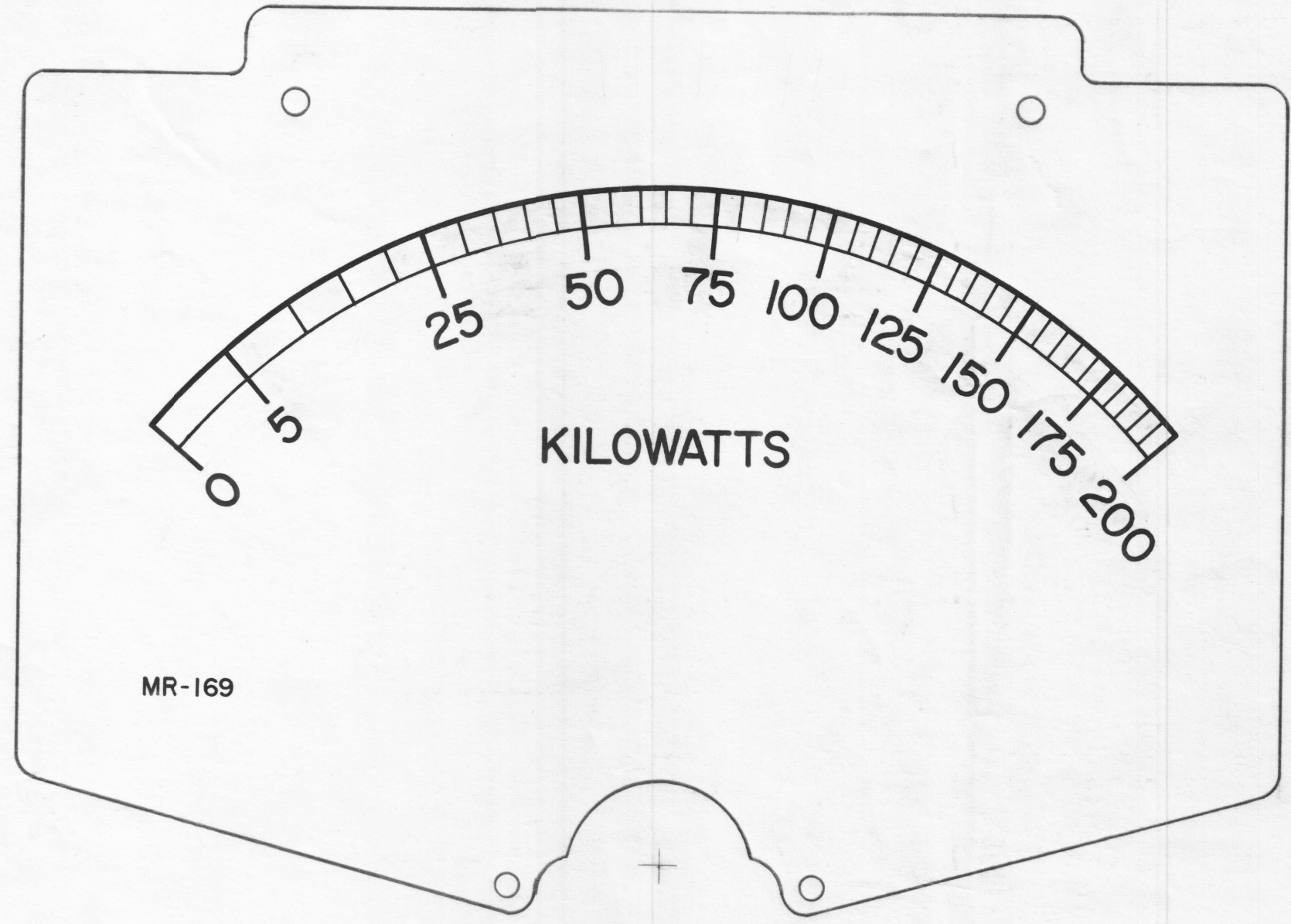
C

B

A



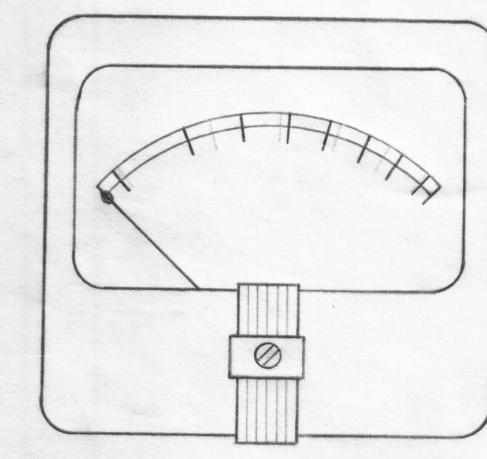
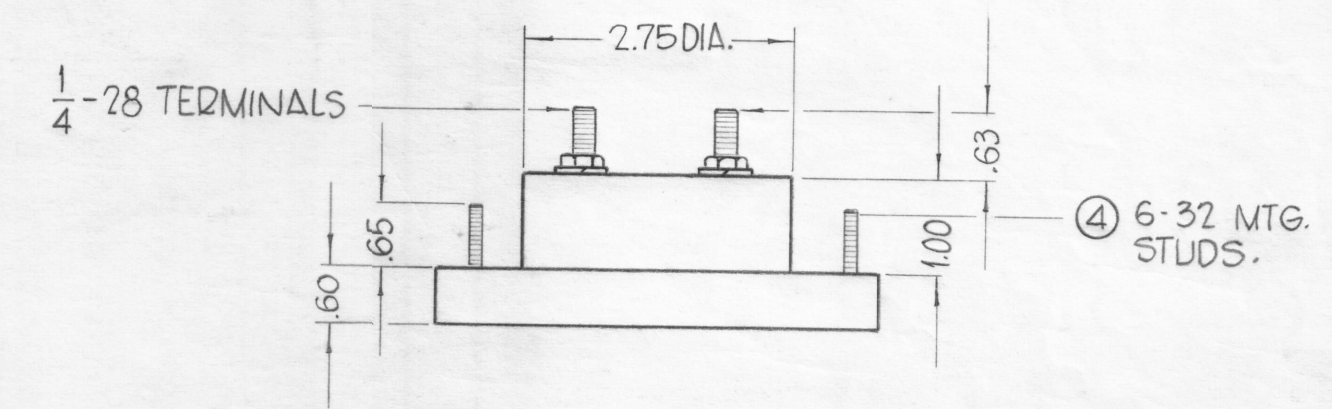
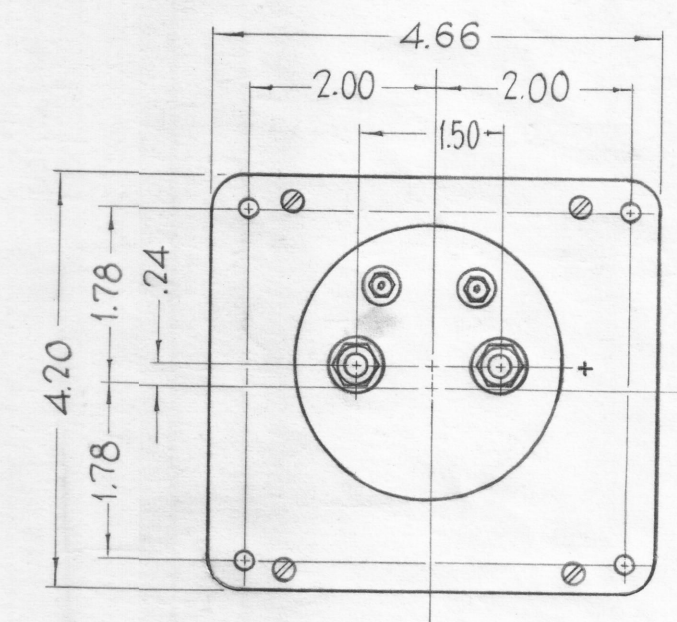
INSERT TMC INSIGNIA, (ND-117) IMMEDIATELY BELOW WORD "KILOWATTS" CENTERED TO BOTTOM.



SCALE = 2X

ORIGINAL ARTWORK TO BE SUPPLIED BY TMC FOR PHOTOGRAPHING (SCALE AS NOTED)

REVISIONS							
ZONE	SYM	DESCRIPTION	DATE	E.M.N. NO.	DRAFT	CHKD	APPD
	0	ORIGINAL RELEASE FOR PROD	5/12/64				



MD-169 0

CASE - STANDARD COMMERCIAL RECTANGULAR 4-1/2".  
FINISH - GLOSSY BLACK.  
MOVEMENT - 0-100 MICROAMPS. DC  
APPROXIMATE RESISTANCE - 1825 Ω  
POINTER - SPADE TYPE

HARDWARE - ② LOCKWASHERS, ② 1/4-28 HEXAGON NUTS FOR TERMINALS.  
④ LOCKWASHERS, ④ 6-32 HEXAGON NUTS, FOR MTG. (SUPPLIED BY MFG.)

REQ'D.	ITEM	PART NUMBER	DESCRIPTION	SYMBOL
F. BUDETTI LIST OF MATERIAL				
MATERIAL			THE TECHNICAL MATERIEL CORP. MAMARONECK, NEW YORK	
FINISH			TITLE METER, KW OUTPUT	
UNLESS OTHERWISE SPECIFIED DIMENSIONS ARE IN INCHES AND INCLUDE CHEMICALLY APPLIED OR PLATED FINISHES			DRAWN John C. Biele	DATE 12-28-62
DECIMALS .X ± .05 .XX ± .01 .XXX ± .005			CHECKED RDC	DATE 9/8/64
FRACTIONS ± 1/64 ANGLES ± 0° 30'			ELECT. DES. 3308	DATE 9/8/64
TOLERANCES			MECH. DES. RDC	DATE 9/8/64
NOTES			MD-169	0
THE CONTENTS OF THIS DRAWING ARE THE EXCLUSIVE PROPERTY OF THE TECHNICAL MATERIEL CORP. ITS UNAUTHORIZED USE OR REPRODUCTION IN WHOLE OR IN PART IS STRICTLY FORBIDDEN.			SHEET	REV. LTR.

7

6

5

4

3

2

1