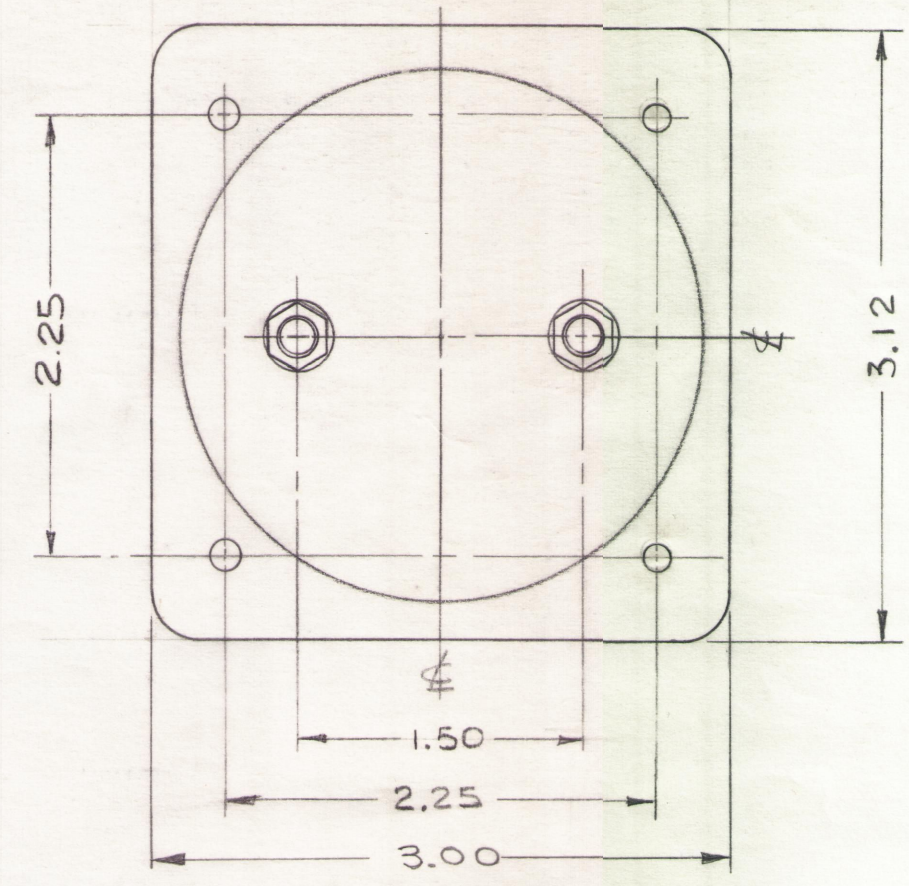
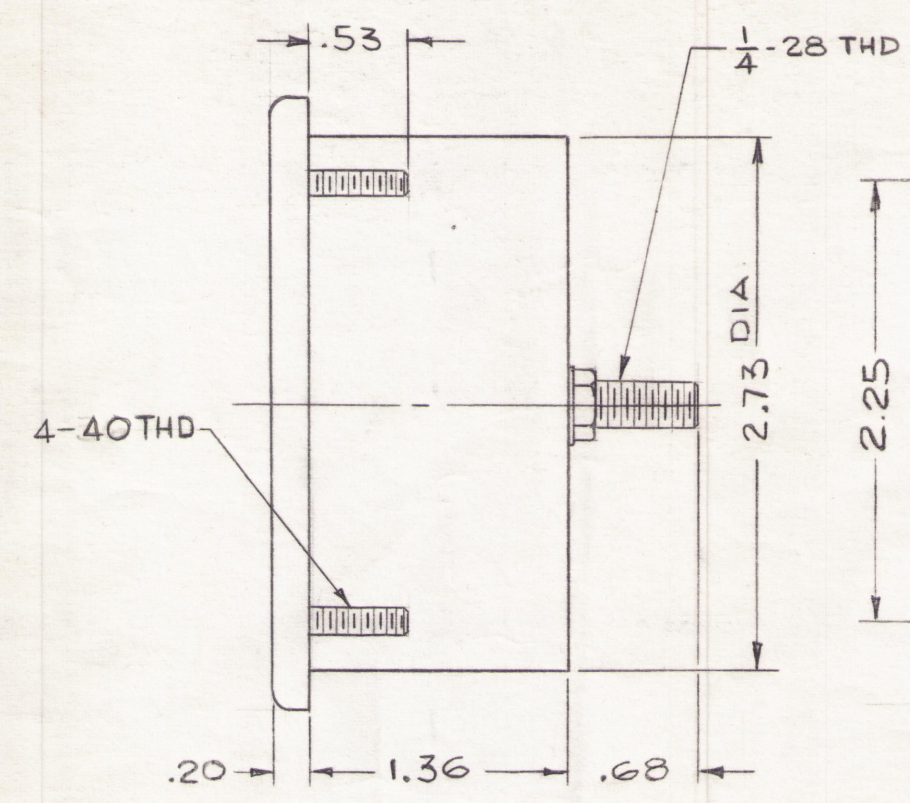
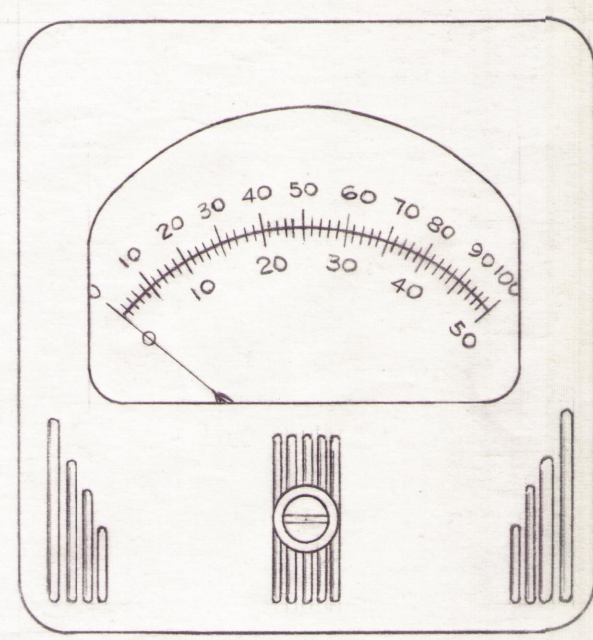


REVISIONS					
ZONE	SYM	DESCRIPTION	DATE	E.M.N. NO.	APPD
G5	A	MTG STUDS WERE 4-36 THD	6-12-63	9243	[Signature]
G7	B	CLERICAL CHG NPI17 ADDED	12-2-65		[Signature]

SPECIFICATIONS

- CASE:
STANDARD SIMPSON MODEL 270
- CASE FRONT FINISH:
BLACK MATTE WITH LINE LINE DESIGN AS SHOWN.
- MOVEMENT:
0-50 MICROAMP.
- APPROX. RESISTANCE:
2000 OHMS
- POINTER TYPE:
KNIFE EDGE
- MTG. HARDWARE TO BE SUPPLIED BY MANUFACTURER:
- 4 - #4 FLAT WASHERS
 - 4 - 4-36 HEX NUTS
 - 2 - 1/4 FLAT WASHERS
 - 2 - 1/4-28 HEX NUTS



SCALE COLORS

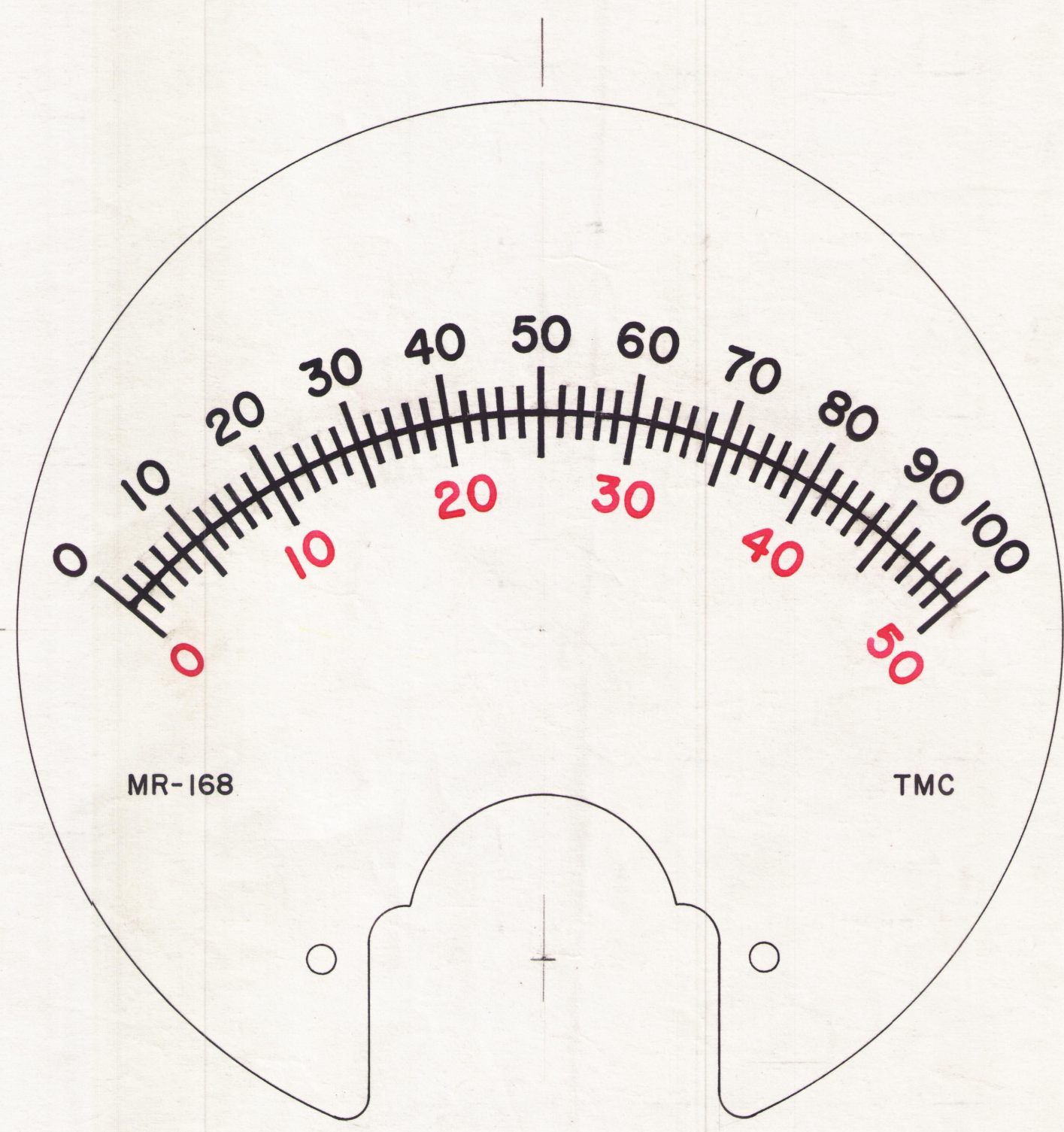
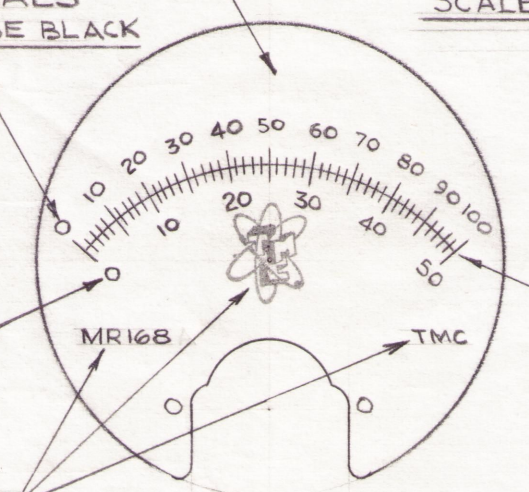
WHITE BACKGROUND

SCALE TO BE IN BLACK

TOP SCALE NUMERALS NOS. "0 TO 100" TO BE BLACK

LOWER NUMERALS NOS. "0 TO 50" TO BE IN RED

TMC PART #NPI17 INSIGNIA & LETTERS TO BE IN BLACK



SCALE - 3X
(TRUE SIZE - 2 - 7/16 DIA)

NOTE:
THIS METER DIAL FACE HAS BEEN DRAWN TO SCALE (3X). THE ORIGINAL THE ORIGINAL ARTWORK SHOULD BE SUPPLIED BY TMC FOR PHOTOGRAPHING.

NOTES

Q'TY./UNIT	MODEL USED ON	ASS'Y. NO.
2	GPT-10K-LF	VLLA-1
SCALE	CODE	S401-44

THE CONTENTS OF THIS DRAWING ARE THE EXCLUSIVE PROPERTY OF THE TECHNICAL MATERIEL CORP. ITS UNAUTHORIZED USE OR REPRODUCTION IN WHOLE OR IN PART IS STRICTLY FORBIDDEN.

REQ'D.	ITEM	PART NUMBER	DESCRIPTION	SYMBOL
POSE LIST OF MATERIAL				
MATERIAL		THE TECHNICAL MATERIEL CORP. MAMARONECK, NEW YORK		
FINISH		TITLE MULTI-METER, DC MICROAMP		
UNLESS OTHERWISE SPECIFIED DIMENSIONS ARE IN INCHES AND INCLUDE CHEMICALLY APPLIED OR PLATED FINISHES		DRAWN T. RAMIREZ	DATE 2-1-63	FINAL APPROVAL [Signature]
DECIMALS .X ± .05 .XX ± .01 .XXX ± .005		CHECKED [Signature]	DATE 12-2-65	DATE 12/3/65
FRACTIONS ± 1/64 ANGLES ± 0° 30'		ELECT. DES. [Signature]	DATE	DATE
TOLERANCES		MECH. DES. [Signature]	DATE	DATE
SHEET				REV. LTR.
MR-168				B

MR-168 B